



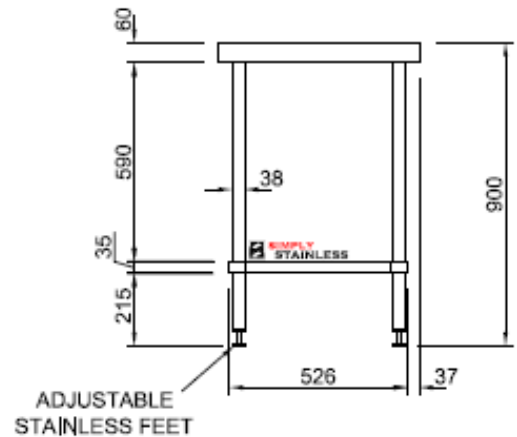
SIMPLY STAINLESS

www.simplystainless.com

Modular sinks tables and shelves



SPECIFICATION	
Tops	1.2mm gauge, high quality stainless steel, no. 4 finish, studs under for fixing accessories
Core	Full length Stainless Steel top hat stiffening section
Frames	38mm round stainless steel tube, satin polished, machined collars, adjustable stainless disc feet
Undershelves	1.2mm gauge, high quality stainless steel, no. 4 finish, top hat stiffening with channels



FRONT ELEVATION

01.06	WORK (ISLAND) BENCH	
	Product Code	Dimensions
	01.6.0600	600mm x 600mm x 900mm
	01.6.0900	900mm x 600mm x 900mm
	01.6.1200	1200mm x 600mm x 900mm
	01.6.1500	1500mm x 600mm x 900mm
	01.6.1800	1800mm x 600mm x 900mm
	01.6.2100	2100mm x 600mm x 900mm
	01.6.2400	2400mm x 600mm x 900mm