

hatcocorp.com

Register Online!
(see page 2)

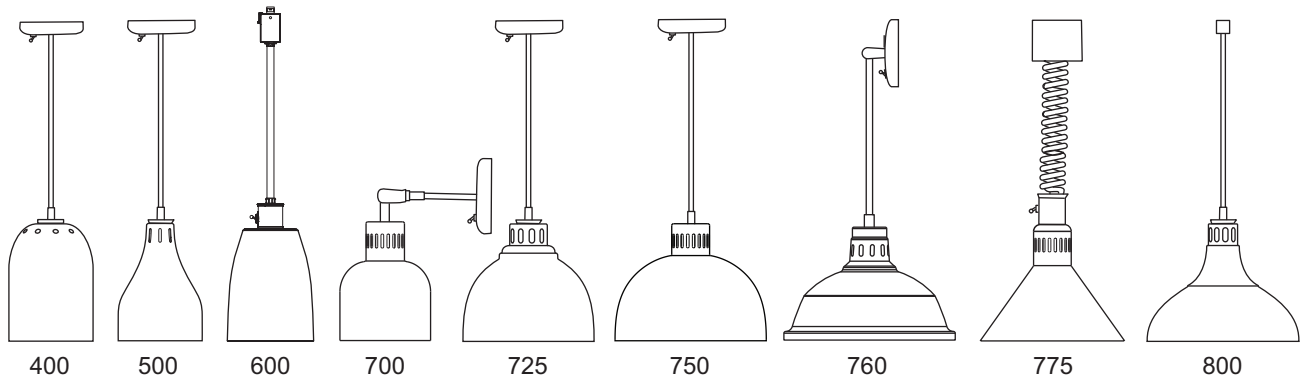
S'inscrire en ligne!
(voir page 16)



Decorative Lamps Lampes Décoratives DL Series • Série DL

Installation and Operating Manual Manuel d'installation et d'utilisation

P/N 07.04.371.00



⚠ WARNING

Do not operate this equipment unless you have read and understood the contents of this manual! Failure to follow the instructions contained in this manual may result in serious injury or death. This manual contains important safety information concerning the maintenance, use, and operation of this product. If you're unable to understand the contents of this manual, please bring it to the attention of your supervisor. Keep this manual in a safe location for future reference.

English = p 2

⚠ ADVERTENCIA

No opere este equipo al menos que haya leído y comprendido el contenido de este manual! Cualquier falla en el seguimiento de las instrucciones contenidas en este manual puede resultar en un serio lesión o muerte. Este manual contiene importante información sobre seguridad concierne al mantenimiento, uso y operación de este producto. Si usted no puede entender el contenido de este manual por favor pregunte a su supervisor. Almacenar este manual en una localización segura para la referencia futura.

⚠ AVERTISSEMENT

Ne pas utiliser cet équipement sans avoir lu et compris le contenu de ce manuel ! Le non-respect des instructions contenues dans ce manuel peut entraîner de graves blessures ou la mort. Ce manuel contient des informations importantes concernant l'entretien, l'utilisation et le fonctionnement de ce produit. Si vous ne comprenez pas le contenu de ce manuel, veuillez le signaler à votre supérieur. Conservez ce manuel dans un endroit sûr pour pouvoir vous y référer plus tard.

Français = p 16

Important Owner Information	2	Operation	11
Introduction	2	General	11
Important Safety Information	3	Operating Retractable Units	11
Model Description	4	Maintenance	12
Specifications	4	General	12
Electrical Rating Chart.....	4	Daily Cleaning	12
Dimensions — Lamp Shade	4	Replacing an Infrared Bulb.....	12
Model Designation	5	Troubleshooting Guide	13
Installation	6	Options and Accessories	14
General.....	6	Limited Warranty	15
Assembly.....	7	Authorized Parts Distributors	Back Cover
Installing A, C, P, S, and R Mount Units.....	8		
Installing TS Mount Units (UL Recognized)	8		
Installing Track Mount Units (CT, ST, and RT).....	8		

IMPORTANT OWNER INFORMATION

Record the model number, serial number, voltage, and purchase date of the unit in the spaces below (specification label located inside the lamp shade). Please have this information available when calling Hatco for service assistance.

Model No. _____

Serial No. _____

Voltage _____

Date of Purchase _____

Business Hours: 8:00 AM to 5:00 PM Central Standard Time (CST)
 (Summer Hours: June to September—
 8:00 AM to 5:00 PM CST Monday–Thursday
 8:00 AM to 2:30 PM CST Friday)

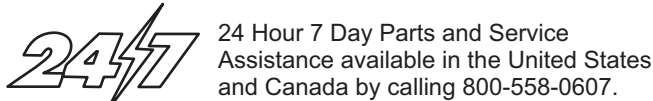
Telephone: 800-558-0607; 414-671-6350

e-mail: partsandservice@hatcocorp.com

Fax: 800-690-2966 (Parts and Service)
 414-671-3976 (International)

Register your unit!

Completing online warranty registration will prevent delay in obtaining warranty coverage. Access the Hatco website at www.hatcocorp.com, select the *Parts & Service* pull-down menu, and click on “Warranty Registration”.



Additional information can be found by visiting our web site at www.hatcocorp.com.

INTRODUCTION

Hatco Decorative Lamps are designed to hold food at serving temperatures as well as enhance restaurant decor. Decorative Lamps provide light and supplemental heat. A “Luminaire” option (lighting only) is available for applications that do not require supplemental heat but would benefit from the style and focus of a Decorative Lamp.

Decorative Lamps are quality built to meet the demands of foodservice operations and provide years of trouble-free performance.

Hatco Decorative Lamps are products of extensive research and field testing. The materials used were selected for maximum durability, attractive appearance, and optimum performance. Every unit is inspected and tested thoroughly prior to shipment.

This manual provides the installation, safety, and operating instructions for Decorative Lamps. Hatco recommends all installation, operating, and safety instructions appearing in this manual be read prior to installation or operation of a unit.

Safety information that appears in this manual is identified by the following signal word panels:



WARNING indicates a hazardous situation which, if not avoided, could result in death or serious injury.



CAUTION indicates a hazardous situation which, if not avoided, could result in minor or moderate injury.



NOTICE is used to address practices not related to personal injury.



Read the following important safety information before using this equipment to avoid serious injury or death and to avoid damage to equipment or property.

WARNING

ELECTRIC SHOCK HAZARD:

- Unit must be installed by a qualified electrician. Installation must conform to all local electrical codes. Installation by unqualified personnel will void unit warranty and may lead to electric shock or burn, as well as damage to unit and/or its surroundings.
- Turn OFF power at mounting location before installation of unit.
- Failure to ground unit properly could result in serious personal injury or death.
- Turn OFF power at fused disconnect switch/circuit breaker and allow unit to cool before performing any cleaning, adjustments, or maintenance.
- DO NOT submerge or saturate with water. Unit is not waterproof. Do not operate if unit has been submerged or saturated with water.
- Unit is not weatherproof. Locate the unit indoors.
- Do not steam clean or use excessive water on unit.
- Do not install track system above a steam table or other steam generating appliance.
- This unit is not “jet-proof” construction. Do not use jet-clean spray to clean this unit.
- This unit must be serviced by qualified personnel only. Service by unqualified personnel may lead to electric shock or burn.
- Use only Genuine Hatco Replacement Parts when service is required. Failure to use Genuine Hatco Replacement Parts will void all warranties and may subject operators of the equipment to hazardous electrical voltage, resulting in electrical shock or burn. Genuine Hatco Replacement Parts are specified to operate safely in the environments in which they are used. Some aftermarket or generic replacement parts do not have the characteristics that will allow them to operate safely in Hatco equipment.

FIRE HAZARD:

- Locate unit a minimum of 1" (25 mm) from combustible walls and materials. If safe distances are not maintained, discoloration or combustion could occur.
- DL standard watt lamps (250 W bulb) and Luminaires (200 W bulb maximum) must have a minimum of 16" (406 mm) above a combustible surface or minimum clearance of 5" (127 mm) above a non-combustible surface. If safe distances are not maintained, discoloration or combustion could occur.
- DLH high watt lamps (375 W bulb) must have a minimum of 27" (686 mm) above a combustible surface or minimum clearance of 5" (127 mm) above a non-combustible surface. If safe distances are not maintained, discoloration or combustion could occur.
- Do not install a 375 W bulb into a DL standard watt lamp or a Luminaire unit.

Hatco Corporation is not responsible for actual food product serving temperature. It is the responsibility of the user to ensure that food product is held and served at a safe temperature.

Make sure all operators have been instructed on the safe and proper use of the unit.

WARNING

This unit is not intended for use by children or persons with reduced physical, sensory, or mental capabilities. Ensure proper supervision of children and keep them away from unit.

This unit has no “user-serviceable” parts. If service is required on this unit, contact an Authorized Hatco Service Agent or contact the Hatco Service Department at 800-558-0607 or 414-671-6350; fax 800-690-2966; or International fax 414-671-3976.

CAUTION

BURN HAZARD: Some exterior surfaces on unit will get hot. Use caution when touching these areas.

Locate the unit at proper counter height in an area that is convenient for use.

When installing track lighting systems, use only fixture assemblies marked for use with HALO® Power-Trac and Track Fittings marked for use with L650 Series Track.

Power-Trac systems are not intended for use with a power supply cord or convenience receptacle adapter.

The maximum capacity of Power-Trac track lighting systems is 20 A per circuit. Check fuses and circuits carefully before installing. The 20 A maximum includes all lights and appliances connected to circuit (120 V only, maximum 1920 W per any length track).

Use caution when drilling during track installation to avoid damaging buss bar insulators. If insulators are damaged, discard the section—DO NOT use.

For non-CE units NOT equipped with a Hatco-supplied switch, a qualified electrician must choose an appropriate switch for the application based on amperage and in-rush rating of the switch.

For all CE units, a qualified electrician must choose and install an appropriate double-pole switch for the application based on amperage and in-rush rating of the switch.

All canopy mount units are designed to fit a standard 4" (102 mm) octagonal junction box. Junction box must be anchored securely to building structure.

Multiple installations of Decorative Lamps must have a minimum clearance of 12" (305 mm) on center of shade between each unit.

NOTICE

Damage to any countertop material caused by heat generated from Hatco equipment is not covered under the Hatco warranty. Contact manufacturer of countertop material for application information.

Hatco Decorative Lamps are built to fit HALO® brand L651, L652, and L653 Power-Trac track lighting systems only. Do not attempt to use on any other track lighting system.

Use non-abrasive cleaners and cloths only. Abrasive cleaners and cloths could scratch the finish of the unit, marring its appearance and making it susceptible to soil accumulation.

Do not use ammonia-based cleaners on unit.

This unit is intended for commercial use only—NOT for household use.

All Models

All Decorative Lamps are constructed of aluminum and steel and include heavy-duty mounting hardware. Each Decorative Lamp is available with an infrared bulb contained in a vented shade (Luminaire bulb not included). The shade is available in powdercoated *Designer* colors, Gloss finishes, or Plated finishes.

DL Models (Standard Wattage)

Standard wattage models (DL) use a 250 W infrared bulb and include a built-in ON/OFF (I/O) switch located at the stem or canopy for independent control. DL units may be ordered with the optional remote switch (REM) or with no switch.

A Luminaire option is available for DL Models for lighting only (no heat). The Luminaire model uses a maximum of a 200 W bulb (Luminaire bulb not included).

DLH Models (High Wattage)

High wattage models (DLH) use a 375 W infrared bulb and are available with either the remote switch (REM) or with no switch.



For non-CE units NOT equipped with a Hatco-supplied switch, a qualified electrician must choose an appropriate switch for the application based on amperage and in-rush rating of the switch.

For all CE units, a qualified electrician must choose and install an appropriate double-pole switch for the application based on amperage and in-rush rating of the switch.

Accessories are available for the Decorative Lamps. Refer to the OPTIONS AND ACCESSORIES section in this manual for details.

SPECIFICATIONS

Electrical Rating Chart

Model	Volts	Watts	Amps
DL Series	120	250	2.1
	240 (CE)	250	1.1
DLH Series	120	375	3.2
	240 (CE)	375	1.6

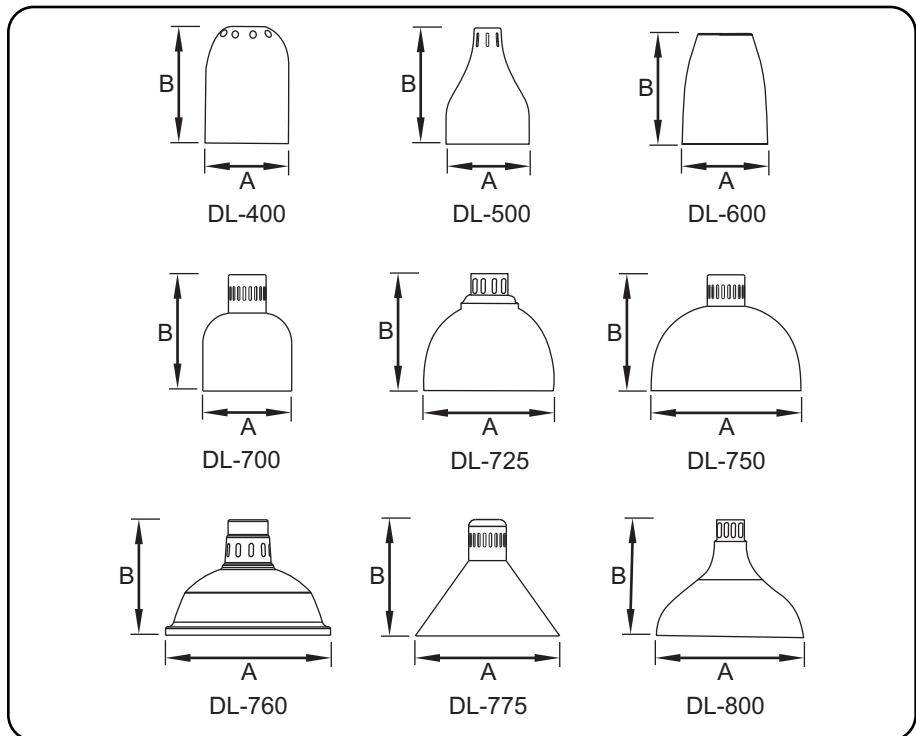
Model	Volts	Watts	Amps
DL Luminaire	120	200	1.7

NOTE: The specification label is located inside the lamp shade. See the label for the serial number and verification of unit electrical information.

The shaded areas contain electrical information for **International models only**.

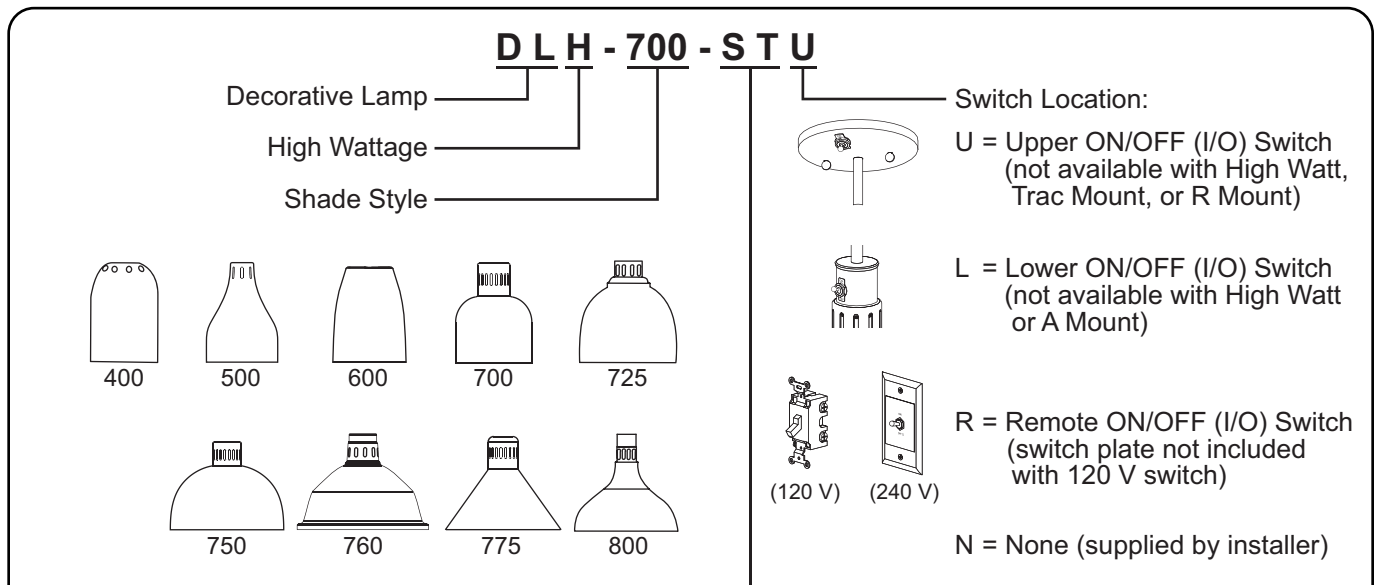
Dimensions — Lamp Shade

Lamp Shade Style	Width (A)	Height (B)
DL-400	6-1/8" (156 mm)	8-1/2" (216 mm)
DL-500	6-1/8" (156 mm)	8-1/2" (216 mm)
DL-600	6-1/4" (159 mm)	8-1/2" (216 mm)
DL-700	6-1/2" (165 mm)	8-1/2" (216 mm)
DL-725	9-1/2" (241 mm)	8-1/2" (216 mm)
DL-750	11" (279 mm)	8-1/2" (216 mm)
DL-760	12-1/2" (318 mm)	8-1/2" (216 mm)
DL-775	10-1/2" (267 mm)	8-1/2" (216 mm)
DL-800	11" (279 mm)	8-1/2" (216 mm)



Lamp Shade Dimensions

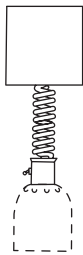
NOTE: The height dimension of the shade increases by 2" (51 mm) when utilizing the "L" lower switch location.



Mounting Style

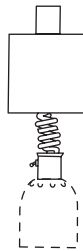
R Mount

Lamp mounts with adjustable cord. Cord adjusts up-down from 31" (787 mm) to 69-1/2" (1765 mm).



RT Mount

Lamp mounts with adjustable cord to track adapter. Cord adjusts up-down from 33-3/8" (848 mm) to 71-7/8" (1826 mm).



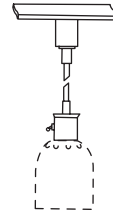
C Mount

Lamp mounts with cord to the canopy. Overall length from 17" (432 mm) to any length.



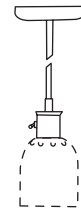
CT Mount

Lamp mounts with cord to track adapter. Overall length from 17" (432 mm) to any length.



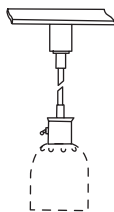
S Mount

Lamp mounts with rigid stem to canopy. Overall length from 14" (356 mm) to 71" (1803 mm).



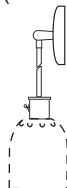
ST Mount

Lamp mounts with rigid stem to track adapter. Overall length from 17" (432 mm) to 71" (1803 mm).



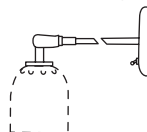
P Mount

Lamp mounts with rigid stem to canopy with adjustable pivot adjacent to canopy. Overall length from 17" (432 mm) to 71" (1803 mm).



A Mount

Lamp mounts with rigid stem to canopy with adjustable pivot adjacent to lamp. Overall horizontal length from 7" (178 mm) to 20" (508 mm). Vertical drop length to bottom of shade 10-1/4" (260 mm).



TS Mount

Lamp mounts with threaded stem to fixture above (fixture supplied by others). Threaded stem mount is available only as a UL recognized (UR) component.



NOTE: Do not install track system over a steam table or other steam generating appliance.

NOTE: Track mount units are not available in 240 V.

NOTE: The height dimension of the shade increases by 2" (51 mm) when utilizing the "L" lower switch location.

NOTE: For 120 V units, the remote ON/OFF (I/O) switch is capable of handling up to nine 200 W Luminaires, seven 250 W lamps, or five 375 W lamps.

For 240 V units, the remote ON/OFF (I/O) switch is capable of handling up to four 250 W lamps or three 375 W lamps.

General

Use the following information and procedures to install Decorative Lamps.

⚠ WARNING

ELECTRIC SHOCK HAZARD:

- Unit must be installed by a qualified electrician. Installation must conform to all local electrical codes. Installation by unqualified personnel will void the unit warranty and may lead to electric shock or burn, as well as damage to unit and/or its surroundings.
- Turn OFF power at mounting location before installation of unit.
- Do not install track system above a steam table or other steam generating appliance.
- Failure to ground unit properly could result in serious personal injury or death.
- Unit is not weatherproof. Locate unit indoors.

FIRE HAZARD:

- Locate unit a minimum of 1" (25 mm) from combustible walls and materials. If safe distances are not maintained, discoloration or combustion could occur.
- DL standard watt lamps (250 W bulb) and Luminaires (200 W bulb maximum) must have a minimum of 16" (406 mm) above a combustible surface or minimum clearance of 5" (127 mm) above a non-combustible surface. If safe distances are not maintained, discoloration or combustion could occur.
- DLH high watt lamps (375 W bulb) must have a minimum of 27" (686 mm) above a combustible surface or minimum clearance of 5" (127 mm) above a non-combustible surface. If safe distances are not maintained, discoloration or combustion could occur.
- Do not install a 375 W bulb into a DL standard watt lamp or a Luminaire unit.

⚠ CAUTION

Multiple installations of Decorative Lamps must have a minimum clearance of 12" (305 mm) on center of shade between each unit.

All canopy mount units are designed to fit a standard 4" (102 mm) octagonal junction box. Junction box must be anchored securely to building structure.

For non-CE units NOT equipped with a Hatco-supplied switch, a qualified electrician must choose an appropriate switch for the application based on amperage and in-rush rating of the switch.

For all CE units, a qualified electrician must choose and install an appropriate double-pole switch for the application based on amperage and in-rush rating of the switch.

NOTICE

Damage to any countertop material caused by heat generated from Hatco equipment is not covered under the Hatco warranty. Contact manufacturer of countertop material for application information.

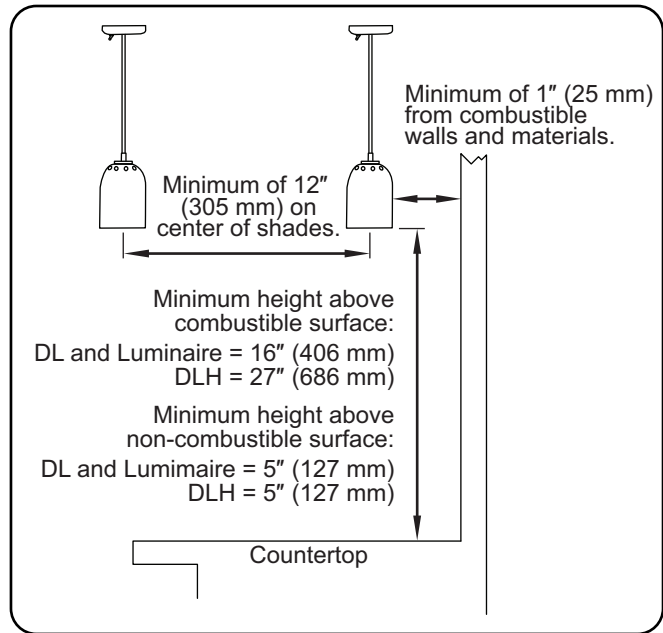
1. Remove the decorative lamp assembly from the carton.
2. Remove tape and protective packaging from all surfaces of unit.

NOTE: To prevent delay in obtaining warranty coverage, complete online warranty registration. See the IMPORTANT OWNER INFORMATION section for details.

3. Make sure the installation site provides the proper installation clearances for the unit (see below).

NOTE: For even heating, install multiple units a distance of 12" (305 mm) on center of shades.

NOTE: Non-CE Decorative Lamps can be installed over a steam table. Follow the clearance requirements appropriate for the installation.



Safe Mounting Distances

NOTE: For 120 V units, the remote ON/OFF (I/O) switch is capable of handling up to nine 200 W Luminares, seven 250 W lamps, or five 375 W lamps.

For 240 V units, the remote ON/OFF (I/O) switch is capable of handling up to four 250 W lamps or three 375 W lamps.

Assembly

Models with Mounting Styles C, CT, R, and RT are cord hung fixtures and are shipped fully assembled and ready for installation. All other models will require some assembly before mounting. Refer to the appropriate assembly procedure below for each mounting style.

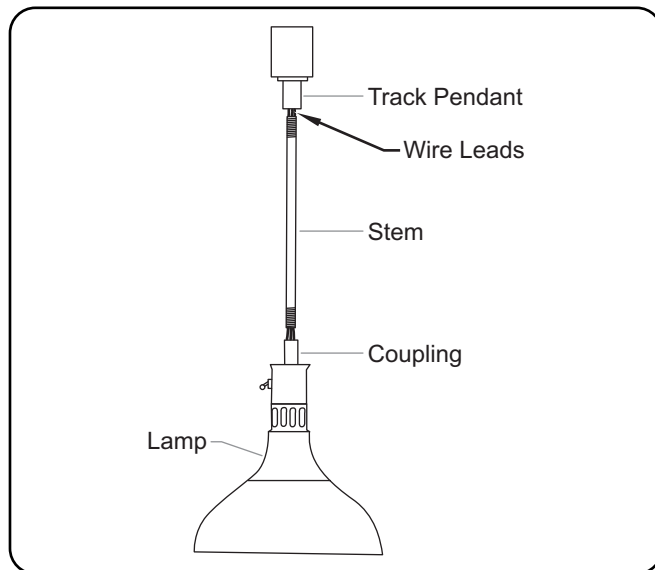
NOTE: If the shade comes equipped with plastic nut and nipple in stem mounting hole, both nut and nipple must be removed before installing stem to shade.



Turn OFF power at mounting location before installation of unit.

Assembling an ST Mount Unit

1. Remove the plastic caps covering each end of the stem, if present.
2. Feed the wire leads from the lamp through the stem.
3. Screw the stem into the coupling on the lamp. Tighten securely.
4. Open the track pendant side access panel and feed the wires up into the pendant enclosure.
5. Screw the stem into the track pendant and tighten securely. The stem should not rotate after it is tightened.
6. Following the instructions supplied with the pendant, connect together the white wire leads, connect together the black wire leads, and connect together the green ground wires using the provided wire nuts.



Assembling an ST Mount Unit

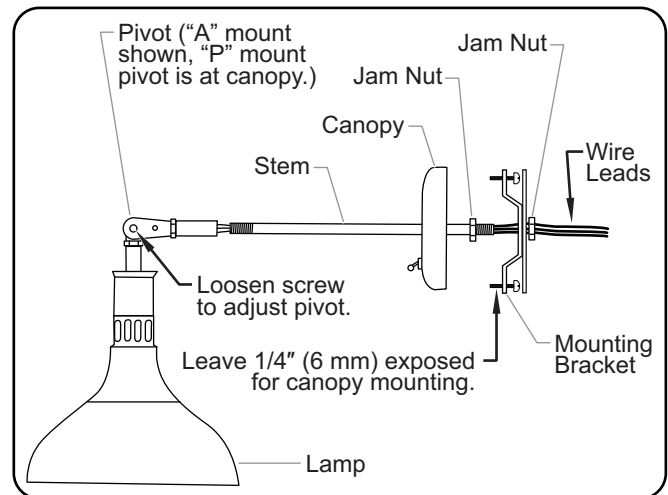
Assembling an A, P, or S Mount Unit

1. Remove the plastic caps covering each end of the stem, if present.
2. Remove the two jam nuts from the stem.

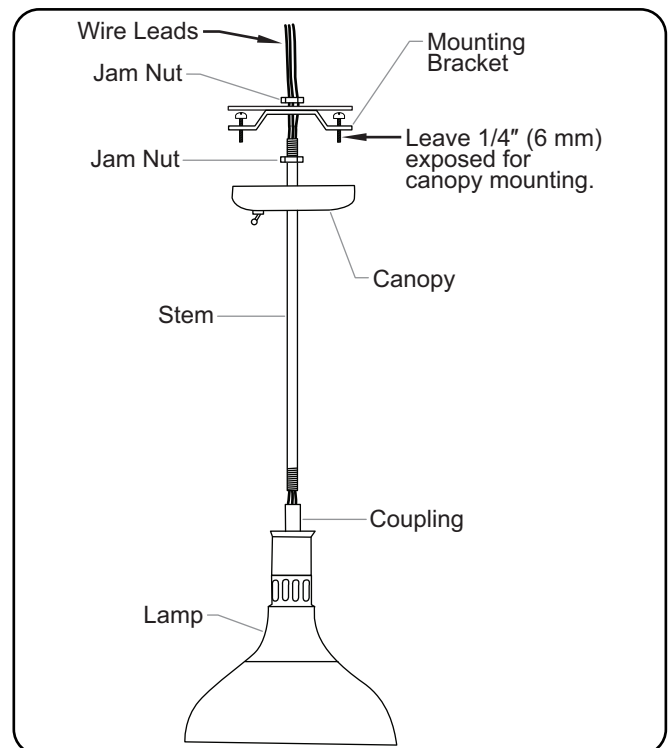
NOTE: The jam nuts are installed on the stem for shipping purposes. Both jam nuts must be removed before assembling the unit. After assembly, both jam nuts will be on the canopy side of the stem.

3. Feed the wire leads from the lamp through the stem.

4. Screw the stem into the coupling on the lamp shade and tighten securely. If the unit is equipped with a pivot mount, straighten the pivot to help ease feeding the wires.
5. Place the canopy on the stem.
6. Thread one jam nut onto the stem and tighten until it bottoms out on the threads.
7. Place the mounting bracket on the stem until it rests on the jam nut.
8. Thread the second jam nut onto the stem and tighten it against the mounting bracket.
9. If the unit is equipped with an upper switch, connect the black wire from the lamp to one of the black wires on the switch. Use the included wire nut.



Assembling A and P Mount Units



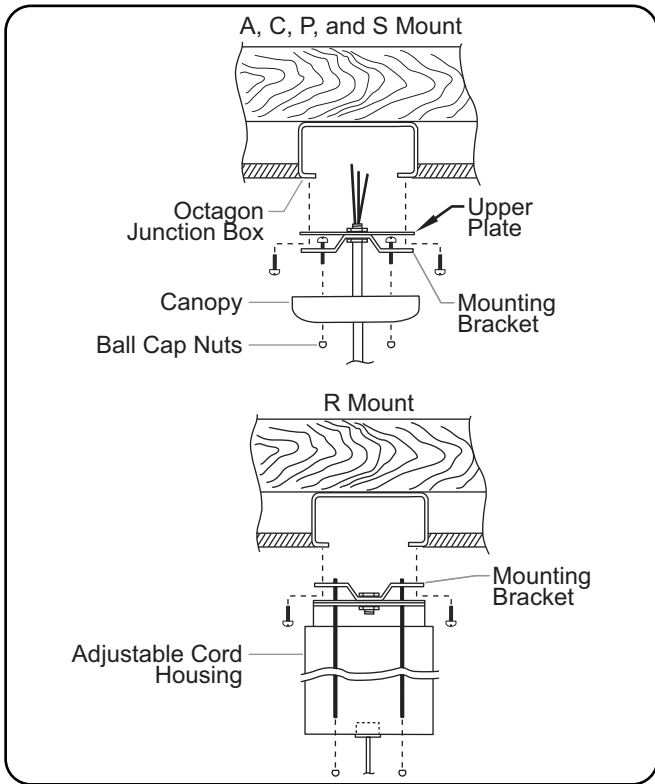
Assembling an S Mount Unit

Installing A, C, P, S, and R Mount Units



Turn OFF power at mounting location before installation of unit.

1. Mount the upper plate of the mounting bracket to a 4" (102 mm) octagon junction box using the two screws provided with the junction box.
2. Make sure all power is OFF, and connect supply lead L1 to the black lamp lead. Connect neutral to the white lamp lead.
If the lamp is equipped with three wires, connect ground to the green lead. If lamp is equipped with two wires, make proper ground wire connections from junction box. Tuck excess wires into junction box.
3. Slide the canopy cover or cord housing up until it rests against the ceiling and install the two ball cap nuts until snug to the ceiling.



Mounting to a Junction Box

Installing TS Mount Units (UL Recognized)



Turn OFF power at mounting location before installation of unit.

1. Drill a 7/16" (11 mm) hole through mounting fixture.
2. Pass wires from the lamp through hole in fixture.
3. Secure the lamp to the fixture with nut.
4. Make sure all power is OFF, and connect supply lead L1 to the black lamp lead. Connect neutral to the white lamp lead and the ground to the green lead.

Installing Track Mount Units (CT, ST, and RT)



ELECTRIC SHOCK HAZARD: Do not install track system above a steam table or other steam generating appliance.



The maximum capacity of Power-Trac track lighting systems is 20 A per circuit. Check fuses and circuits carefully before installing. The 20 A maximum includes all lights and appliances connected to circuit (120 V only, maximum 1920 W per any length track).

Power-Trac systems are not intended for use with a power supply cord or convenience receptacle adapter.

When installing track lighting systems, use only fixture assemblies marked for use with HALO® Power-Trac and Track Fittings marked for use with L650 Series Track.



Hatco Decorative Lamps are built to fit HALO® brand L651, L652, and L653 Power-Trac track lighting systems only. Do not attempt to use on any other track lighting system.

The track system is to be supplied by a single branch circuit 120 V, 60 Hz, 20 A.

NOTE: A maximum of nine 200 W Luminaire units, seven 250 W lamp units, or five 375 W lamp units may be installed per each 120 V, 20 A track bar circuit. The Installer is responsible for properly sizing the supply circuit with the lamp load.

The standard track and cord color of Hatco track systems is black. White is available as an option. Hatco provides track kits in three different lengths:

- L651 — 4' (1219 mm)
- L652 — 8' (2438 mm)
- L653 — 12' (3658 mm)

When installing or using this track system, the following basic safety precautions should always be followed:

- Read all of these installation instructions before installing the track system.
- Save these instructions and refer to them when additions to or changes in the track configuration are made.
- Do not install the track system in damp or wet locations, including above a steam table or steam generating appliance. Installation in these areas will void warranty.
- Do not install any part of a track system less than 5' (1524 mm) above the floor.
- Do not install any fixture assembly closer than 1" (25 mm) along the sides from any curtain or similar combustible material.
- Disconnect electrical power before adding to or changing the configuration of the track.
- Do not attempt to energize anything other than Power-Trac lighting fixtures on the track. To reduce the risk of fire and electric shock, do not attempt to connect power tools, extension cords, appliances, etc. to the track.

The track system must be mounted using the appropriate fasteners in the pre-drilled mounting holes as follows:

- **4' (1219 mm) Track** — two places, one at each end of track.
- **8' (2438 mm) Track** — three places, one in the center and one in each end of the track.
- **12' (3658 mm) Track** — four places, one at each end of track and one four feet from each end.

If track requires field cutting, refer to the "Cutting Track to Special Lengths" procedure. If track does not require field cutting, proceed to "Installing the Track."

Cutting Track to Special Lengths

NOTE: Cutting should be done from the dead end of the track.

1. Remove the dead end fitting and push the copper buss bars and insulators flush with the live end of the track. Measure length from the live end and mark the cut line.
2. Using a hacksaw, cut to desired length. Be sure to allow 1/8" (3 mm) for dead end fitting which must be reinstalled to the track end.
3. Remove all burrs from the track, insulators, and copper buss bars.
4. Push the copper buss bars into the insulators 1/2" (13 mm) from the end of the track.

NOTE: After completing the above step, the buss bar insulators should be flush with the track channel ends, and the copper buss bars should be cut back from each end of the track a minimum of 7/16" (11 mm) to a maximum of 1/2" (13 mm). If this is not the case, make appropriate modifications.

5. Reinstall the dead end fitting and tighten the screw.

IMPORTANT NOTE:

After track has been field cut, make sure that each 4' (1219 mm) section or less in length has one mounting hole spaced a maximum of 6" (152 mm) from each track end section. A single section of track that is greater than 4' (1219 mm) in length must have the mounting hole located a maximum of 12" (305 mm) from each end of the track with additional mounting holes located a minimum of every 4' (1219 mm) along the length of the track section. Additional mounting holes may be drilled as needed.

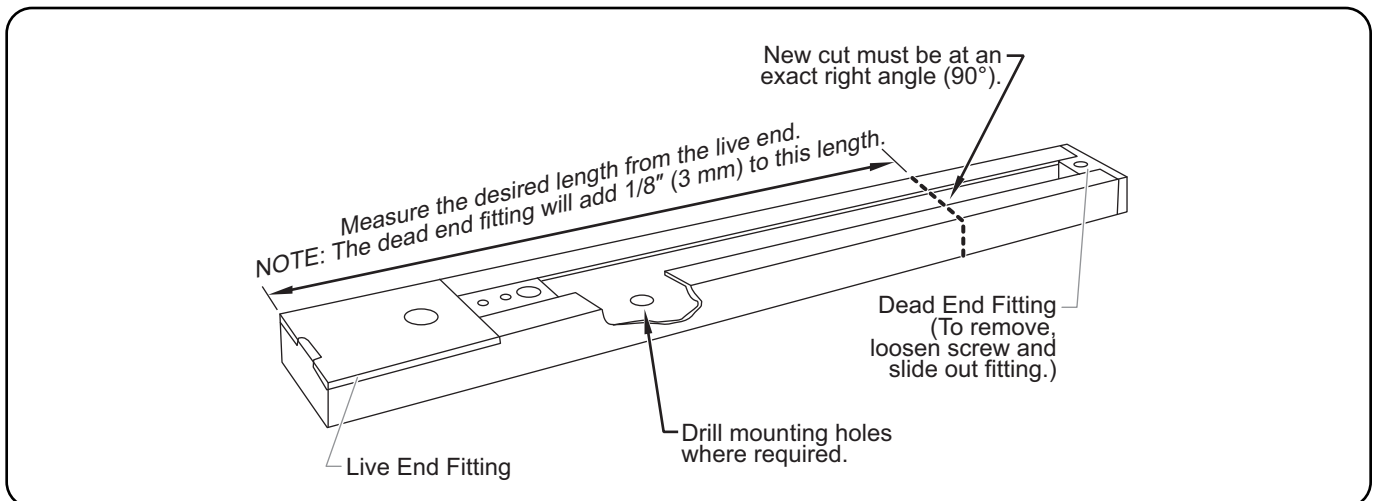
If additional mounting openings are required, follow this procedure in drilling holes:

1. Locate desired mounting holes on the inside center line of the track section.
2. Drill a 3/16" (5 mm) hole through the track channel.



Use caution when drilling during track installation to avoid damaging buss bar insulators. If insulators are damaged, discard the section—DO NOT use.

3. Remove all burrs and proceed to "Installing the Track".



Cutting the Track to Special Lengths

Installing the Track



WARNING

Turn OFF power at mounting location before installation of unit.

1. Punch out the proper knockout holes in the ceiling plate.

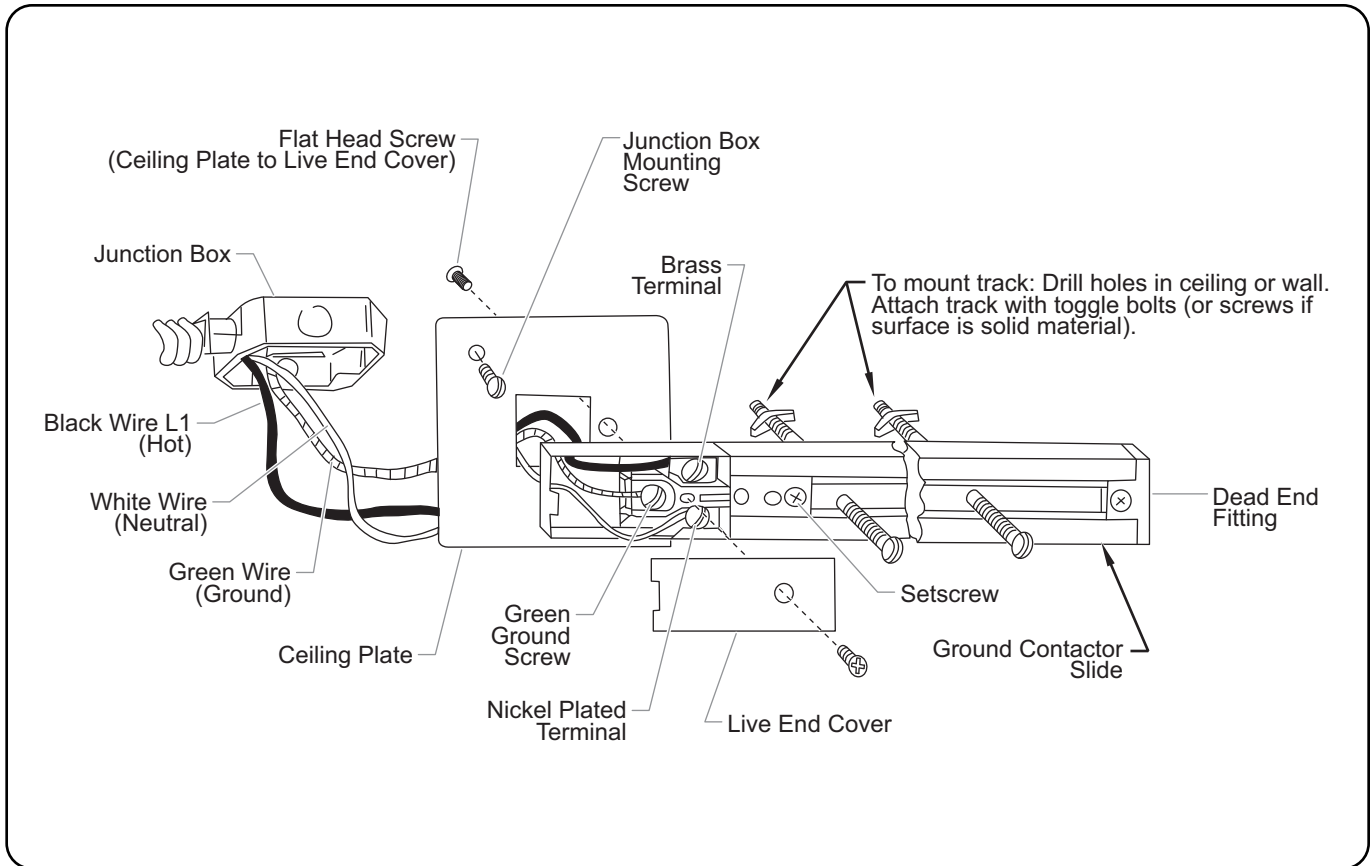


NOTICE

Do not damage the special, smooth plastic finish piece on metal ceiling plate when determining location of proper knock out holes.

2. Remove the flat head screw(s) from the back of the live end fitting and use them to fasten the ceiling plate to the live end fitting.
3. Remove the cover from the live end fitting. Place track with the ceiling plate attached over the junction box and mark the position of the track mounting holes on the ceiling or wall.
4. Drill the mounting holes in the ceiling or wall large enough for the supplied toggle bolts and install the track using the toggle bolts. If track is to be mounted on a solid surface, use #8 screws (not supplied) instead of toggle bolts.

5. Pull the wires from the junction box through the open hole in the live end.
6. Fasten the ceiling plate to the junction box with two screws.
7. Cut and strip the wire leads (3/8" [10 mm] strip) and fasten to the screw terminals in the live end fitting. Push the excess wires back into the junction box and fasten the ground wire to the green ground screw.
8. Replace the cover on the live end and tighten the screw.
9. Install the lamp(s) in the desired location(s) along the track. To install the lamp(s):
 - a. Pull back the locking tab on the track pendant and insert the pendant into the track.
 - b. Rotate the pendant approximately 90° until the pendant locks into position.



Installing the Track

General

Use the following procedures to operate a Decorative Lamp.

WARNING

Read all safety messages in the Important Safety Information section before operating this equipment.

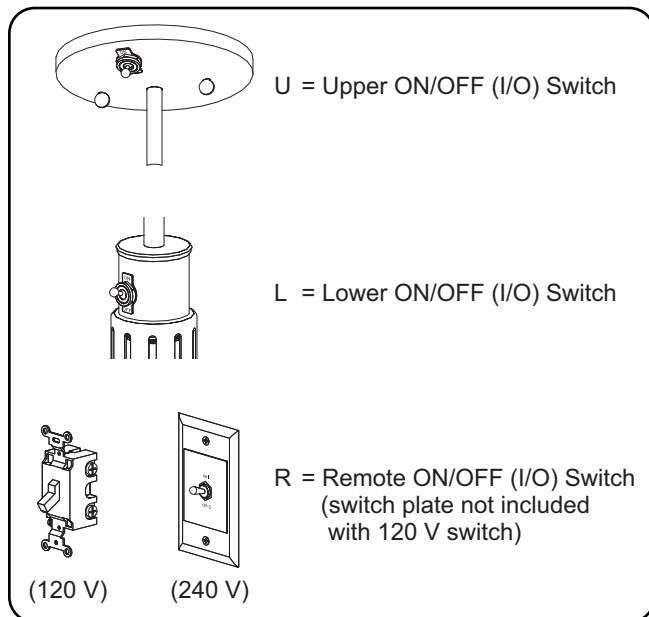
Hatco Corporation is not responsible for actual food product serving temperature. It is the responsibility of the user to ensure that food product is held and served at a safe temperature.

Startup

1. Move the ON/OFF (I/O) Switch to the ON (I) position. The lamp/Luminaire will illuminate.
 - Lamps are up to temperature and ready provide lighting and supplemental heat to food product immediately.

CAUTION

BURN HAZARD: Some exterior surfaces on unit will get hot. Use caution when touching these areas.



ON/OFF (I/O) Switches

Shutdown

1. Move the ON/OFF (I/O) Switch to the OFF (O) position. The lamp/Luminaire will shut off.

Operating Retractable Units

R and RT mount units are equipped with a retractable cord that allows the lamp height to be adjusted. Use the following procedures to lower and raise an R or RT mount unit.

Lowering the Unit

1. Pull straight down on the lamp to extend the cord until the lamp reaches the desired height.
2. Gently release the lamp. The lamp will raise slightly until the locking mechanism in the canopy engages to hold the lamp in position.

Raising the Unit

1. Pull straight down on the lamp slightly to release the locking mechanism. Hold the lamp for support and control as the cord retracts.

NOTICE

Do not let go of lamp while cord is retracting. Damage to unit could occur.

2. Allow the cord to retract fully or stop the lamp at the desired height.
 - To lock the position of the lamp at a new height, pull down on the lamp slightly to engage the locking mechanism.

General

Hatco Decorative Lamps are designed for maximum durability and performance, with minimum maintenance.



ELECTRIC SHOCK HAZARD:

- Turn OFF power at fused disconnect switch/circuit breaker and allow unit to cool before performing any cleaning, adjustments, or maintenance.
- DO NOT submerge or saturate with water. Unit is not waterproof. Do not operate if unit has been submerged or saturated with water.
- Do not steam clean or use excessive water on unit.
- This unit is not “jet-proof” construction. Do not use jet-clean spray to clean this unit.

This unit has no “user-serviceable” parts. If service is required on this unit, contact an Authorized Hatco Service Agent or contact the Hatco Service Department at 800-558-0607 or 414-671-6350; fax 800-690-2966; or International fax 414-671-3976.



Clean unit daily to avoid malfunctions and maintain sanitary operation.

Use non-abrasive cleaners and cloths only. Abrasive cleaners and cloths could scratch the finish of the unit, marring its appearance and making it susceptible to soil accumulation.

Do not use ammonia-based cleaners on unit.

Daily Cleaning

1. Move the ON/OFF (I/O) Switch to the OFF (O) position and allow the unit to cool completely.
2. Wipe down the lamp shade with a clean, soft, water-dampened cloth. Stubborn stains can be removed with a mild, non-abrasive cleanser.

Replacing an Infrared Bulb

Each standard wattage Decorative Lamp (DL) holds one infrared bulb rated at 250 W. Each high wattage Decorative Lamp (DLH) holds one infrared bulb rated at 375 W. If desired, 250 W bulbs also may be used in DLH units.



FIRE HAZARD: Do not install a 375 W bulb into a DL standard watt lamp or a Luminaire unit.

Use only Genuine Hatco Replacement Parts when service is required. Failure to use Genuine Hatco Replacement Parts will void all warranties and may subject operators of the equipment to hazardous electrical voltage, resulting in electrical shock or burn. Genuine Hatco Replacement Parts are specified to operate safely in the environments in which they are used. Some aftermarket or generic replacement parts do not have the characteristics that will allow them to operate safely in Hatco equipment.

1. To replace a bulb, move the ON/OFF (I/O) Switch to the OFF (O) position and allow the bulb to cool completely.
2. Bulbs have a threaded base. Unscrew the bulb from the unit and replace with a new bulb.

NOTE: Refer to the OPTIONS AND ACCESSORIES section for replacement infrared bulbs available from Hatco.



This unit must be serviced by qualified personnel only. Service by unqualified personnel may lead to electric shock or burn.



ELECTRIC SHOCK HAZARD: Turn OFF power at fused disconnect switch/circuit breaker and allow unit to cool before performing any cleaning, adjustments, or maintenance.

Symptom	Probable Cause	Corrective Action
Unit is not working at all.	Unit not turned on.	Place ON/OFF (I/O) switch, if equipped, in the ON (I) position.
	ON/OFF (I/O) Switch not functioning.	Contact Authorized Service Agent or Hatco for assistance.
	Bulb has burned out.	Replace bulb.
Unit is turned on but there is no light.	No power to unit.	Check circuit breaker and reset as necessary.
	Switch is defective.	Contact Authorized Service Agent or Hatco for assistance.
	Bulb has burned out.	Replace bulb.
Heat is inadequate.	Unit mounted too high above target area.	Lower unit, putting effective heat closer to target.
	Excessive air movement around Decorative Lamp target area.	Restrict or redirect air movement (i.e. air conditioning duct or exhaust fan) away from unit.
	Incorrect bulb wattage.	Verify bulb wattage and replace with the correct wattage bulb. WARNING! DO NOT exceed maximum bulb wattage rating on specification plate.
	Incorrect power supply (low).	Check power supply to unit, making sure it matches rating on the unit. If power supply is incorrect, change to match rating on unit.
Heat is excessive.	Unit mounted too close to target area.	Check to see that installation is within specifications for type/model. Increase mounting height if too close.
	Bulb wattage too high.	Check bulb wattage and replace with lower wattage bulb, if available.
	Voltage supply too high.	Check power supply to unit, making sure it matches rating on unit. If power supply is incorrect, change to match rating.
Control switches burn-out rapidly.	Switches used are not Hatco supplied.	Genuine Hatco components are specified to operate safely and properly in the environment in which they are used. Replace switches with Genuine Hatco Parts if switches are aftermarket or generic.

Troubleshooting Questions?

If you continue to have problems resolving an issue, please contact the nearest Authorized Hatco Service Agency or Hatco for assistance. To locate the nearest Service Agency, log onto the Hatco website at www.hatcocorp.com and click on *Find Service Agent*, or contact the **Hatco Parts and Service Team** at:

Telephone: 800-558-0607 or 414-671-6350

e-mail: partsandservice@hatcocorp.com

Fax: 800-690-2966 or 414-671-3976

Infrared Bulbs

The following infrared bulbs are available for use in Hatco Decorative Lamps.

DL (standard wattage)

250 W, 120 V, Red Coated	02.30.068.00
250 W, 120 V, Clear Coated	02.30.069.00
250 W, 120 V, Red Uncoated	02.30.070.00
250 W, 120 V, Clear Uncoated	02.30.071.00
250 W, 240 V (CE), Clear Coated	02.30.100.00
250 W, 240 V (CE), Clear Uncoated	02.30.083.00

DLH (high wattage)

375 W, 120 V, Clear Uncoated	02.30.093.00
375 W, 120 V, Red Uncoated	02.30.094.00
375 W, 120 V, Clear Coated	02.30.097.00
375 W, 120 V, Red Coated	02.30.098.00

DL (Luminaire)

60 W, 120 V, Clear Coated	02.30.043.00
60 W, 240 V (CE), Clear Coated	02.30.058.00

Track Bar Mount

Track Bar Mounts are available for track mount units (CT, ST, and RT mounting style) and can be ordered in 4' (1219 mm), 8' (2438 mm), or 12' (3658 mm) track lengths. The color options are black or white. The track bar can be cut down in the field.

NOTE: A maximum of nine 200 W Luminaire units, seven 250 W lamp units, or five 375 W lamp units may be installed per each 120 V, 20 A track bar circuit. The Installer is responsible for properly sizing the supply circuit with the lamp load.

NOTE: Non-track mount units cannot be retrofitted to become track mount units.

1. PRODUCT WARRANTY

Hatco warrants the products that it manufactures (the "Products") to be free from defects in materials and workmanship, under normal use and service, for a period of one (1) year from the date of purchase when installed and maintained in accordance with Hatco's written instructions or 18 months from the date of shipment from Hatco. Buyer must establish the Product's purchase date by registering the Product with Hatco or by other means satisfactory to Hatco in its sole discretion.

Hatco warrants the following Product components to be free from defects in materials and workmanship from the date of purchase (subject to the foregoing conditions) for the period(s) of time and on the conditions listed below:

- a) **One (1) Year Parts and Labor PLUS One (1) Additional Year Parts-Only Warranty:**
 - Conveyor Toaster Elements (metal sheathed)
 - Drawer Warmer Elements (metal sheathed)
 - Drawer Warmer Drawer Rollers and Slides
 - Strip Heater Elements (metal sheathed)
 - Display Warmer Elements (metal sheathed air heating)
 - Holding Cabinet Elements (metal sheathed air heating)
 - Heated Well Elements — HW and HWB Series (metal sheathed)
- b) **One (1) Year Parts and Labor PLUS Four (4) Years Parts-Only Warranty:**
 - 3CS and FR Tanks
- c) **One (1) Year Parts and Labor PLUS Nine (9) Years Parts-Only Warranty on:**
 - Electric Booster Heater Tanks
 - Gas Booster Heater Tanks
- d) **Ninety (90) Day Parts-Only Warranty:**
 - Replacement Parts

THE FOREGOING WARRANTIES ARE EXCLUSIVE AND IN LIEU OF ANY OTHER WARRANTY, EXPRESSED OR IMPLIED, INCLUDING BUT NOT LIMITED TO ANY IMPLIED WARRANTY OF MERCHANTABILITY OR FITNESS FOR A PARTICULAR PURPOSE OR PATENT OR OTHER INTELLECTUAL PROPERTY RIGHT INFRINGEMENT. Without limiting the generality of the foregoing, SUCH WARRANTIES DO NOT COVER: Coated incandescent light bulbs, fluorescent lights, heat lamp bulbs, coated halogen light bulbs, halogen heat lamp bulbs, xenon light bulbs, LED light tubes, glass components, and fuses; Product failure in booster tank, fin tube heat exchanger, or other water heating equipment caused by liming, sediment buildup, chemical attack, or freezing; or Product misuse, tampering or misapplication, improper installation, or application of improper voltage.

2. LIMITATION OF REMEDIES AND DAMAGES

Hatco's liability and Buyer's exclusive remedy hereunder will be limited solely, at Hatco's option, to repair or replacement using new or refurbished parts or Product by Hatco or a Hatco-authorized service agency (other than where Buyer is located outside of the United States, Canada, United Kingdom, or Australia, in which case Hatco's liability and Buyer's exclusive remedy hereunder will be limited solely to replacement of part under warranty) with respect to any claim made within the applicable warranty period referred to above. Hatco reserves the right to accept or reject any such claim in whole or in part. In the context of this Limited Warranty, "refurbished" means a part or Product that has been returned to its original specifications by Hatco or a Hatco-authorized service agency. Hatco will not accept the return of any Product without prior written approval from Hatco, and all such approved returns shall be made at Buyer's sole expense. HATCO WILL NOT BE LIABLE, UNDER ANY CIRCUMSTANCES, FOR CONSEQUENTIAL OR INCIDENTAL DAMAGES, INCLUDING BUT NOT LIMITED TO LABOR COSTS OR LOST PROFITS RESULTING FROM THE USE OF OR INABILITY TO USE THE PRODUCTS OR FROM THE PRODUCTS BEING INCORPORATED IN OR BECOMING A COMPONENT OF ANY OTHER PRODUCT OR GOODS.

Informations Importantes pour le Propriétaire	16	Mode d'emploi	26
Introduction	16	Généralités	26
Consignes de Sécurité Importantes	17	Fonctionnement des unités à cordon rétractable	26
Description du Modèle	18	Maintenance	27
Désignation du Modèle	19	Généralités	27
Caractéristiques Techniques	20	Nettoyage quotidien	27
Tableau des valeurs nominales électriques	20	Remplacement d'une ampoule infrarouge	27
Dimensions — Style d'abat-jour	20	Guide de Dépannage	28
Installation	21	Options et accessoires	29
Généralités	21	Garantie Limitée	30
Assemblage	22	Autorisés Distributeurs de Pièces	Couverture Arrière
Installation des unités à fixation de type A, C, P, S et R	23		
Installation des unités à fixation de type TS (homologuées UL)	23		
Installation des unités à fixation sur rail de type CT, ST et RT	23		

INFORMATIONS IMPORTANTES POUR LE PROPRIÉTAIRE

Notez le numéro de modèle, le numéro de série, la tension et la date d'achat de l'appareil dans les espaces ci-dessous (voir l'étiquette des caractéristiques techniques à l'intérieur de l'abat-jour). Veuillez avoir cette information à portée de la main si vous appelez Hatco pour assistance.

Modèle No. _____

Numéro de série _____

Voltage _____

Date d'achat _____

Enregistrez votre appareil!

Remplissez la garantie en ligne pour éviter les retards pour faire jouer la garantie. Accédez au site Web Hatco www.hatcocorp.com, sélectionnez le menu déroulant Parts & Service, puis cliquez sur Warranty Registration.

Horaires

ouvrables: 8h00 à 17h00
Heure du Centre des États-Unis (CST)
(Horaires d'été : juin à septembre—
8h00 à 17h00 CST du lundi au jeudi
8h00 à 14h30 CST le vendredi)

Téléphone : 800-558-0607; 414-671-6350

Courriel : partsandservice@hatcocorp.com

Télécopieur : 800-690-2966 (Pièces et Service après-vente)
414-671-3976 (International)



Service d'assistance et de pièces de rechange disponible 7j/7, 24h/24 aux États-Unis et au Canada en composant le 800-558-0607.

Des renseignements supplémentaires sont disponibles sur notre site Web à www.hatcocorp.com.

INTRODUCTION

Les lampes décoratives Hatco sont conçues pour conserver la température adéquate des plats chauds et agrémenter le décor du restaurant. Les lampes décoratives fournissent une source de chaleur supplémentaire en plus de l'éclairage. Une version lumineuse (éclairage uniquement) est disponible à des fins décoratives pour les installations ne nécessitant pas de source de chaleur supplémentaire.

Les lampes décoratives sont d'une qualité leur permettant de répondre aux exigences du secteur de la restauration et de fournir des années de fonctionnement sans incident.

Les lampes décoratives Hatco sont le résultat de recherches approfondies et d'essais sur le terrain. Les matériaux utilisés ont été sélectionnés pour un maximum de durabilité, d'aspect esthétique et de performance optimum. Chaque appareil est minutieusement inspecté et testé avant expédition.

Ce manuel fournit les instructions concernant l'installation, la sécurité et le fonctionnement des lampes décoratives. Hatco vous recommande de lire l'ensemble des instructions d'installation, de sécurité et de fonctionnement contenues dans ce manuel avant d'installer et d'utiliser l'appareil.

Les consignes de sécurité qui apparaissent dans ce manuel sont identifiées par les mots indicateurs suivants :

⚠ AVERTISSEMENT

AVERTISSEMENT indique une situation dangereuse qui, si elle n'est pas évitée, peut provoquer la mort ou des blessures graves.

⚠ ATTENTION

ATTENTION indique une situation dangereuse qui, si elle n'est pas évitée, peut provoquer des blessures légères ou moyennes.

AVIS

AVIS est utilisé pour des questions sans rapport avec des blessures corporelles.



Lisez l'information de sécurité importante suivante avant d'utiliser cet équipement pour éviter des dommages ou la mort sérieux et pour éviter d'endommager l'équipement ou la propriété.

AVERTISSEMENT

DANGER DE DÉCHARGE ÉLECTRIQUE :

- L'appareil doit être installé par un électricien qualifié. L'installation doit être conforme à l'ensemble des réglementations électriques locales. Une installation par un personnel non qualifié provoquera une annulation de la garantie de l'appareil. Cela peut également entraîner un choc électrique ou une brûlure et endommager l'unité et/ou les zones environnantes.
- Coupez l'alimentation de l'endroit prévu pour la fixation avant de procéder à l'installation de l'unité.
- Une mise à la terre incorrecte de l'unité peut entraîner des blessures graves ou le décès.
- Coupez l'alimentation au niveau du sectionneur porte-fusibles/disjoncteur et laissez l'unité refroidir avant d'entreprendre toute opération de nettoyage, de réglage ou d'entretien.
- NE PAS immerger l'appareil ni le saturer d'eau. L'appareil n'est pas étanche à l'eau. Ne pas le faire fonctionner s'il a été immergé ou saturé d'eau.
- L'appareil n'est pas à l'épreuve des intempéries. Placer l'appareil à l'intérieur.
- Ne pas nettoyer à la vapeur ni utiliser trop d'eau sur l'appareil.
- N'installez pas un système de rail au-dessus de la table à vapeur ou d'un autre appareil générant de la vapeur.
- Cet appareil n'est pas étanche aux jets. Ne pas utiliser de jet sous pression pour nettoyer l'appareil.
- La réparation de cet appareil doit être confiée exclusivement à du personnel qualifié. Les réparations par des personnes non qualifiées peuvent provoquer des décharges électriques et des brûlures.
- Utilisez uniquement des pièces de rechange d'origine Hatco lorsque l'entretien est nécessaire. Utilisez des pièces détachées Hatco authentiques sous peine d'annuler toutes les garanties et d'exposer l'utilisateur à des tensions électriques dangereuses pouvant entraîner une électrocution ou des brûlures. Les pièces de rechange authentiques Hatco sont spécifiées pour fonctionner en toute sécurité dans les environnements dans lesquels elles sont utilisées. Certaines pièces de rechange génériques ou d'après-vente n'ont pas les caractéristiques qui leur permettent d'opérer en toute sécurité dans les équipements Hatco.

Hatco Corporation n'est pas responsable de la température réelle à laquelle les aliments sont servis. Il est de la responsabilité de l'utilisateur de s'assurer que les produits alimentaires sont maintenus et servis à une température sans danger.

Assurez-vous que tous les opérateurs ont été formés à l'utilisation sûre et correcte de l'appareil.

Cet appareil ne doit pas être utilisé par des enfants ou des personnes avec des capacités physiques, sensorielles ou mentales diminuées. Assurez-vous que les enfants sont bien surveillés et tenez-les à l'écart de l'appareil.

AVERTISSEMENT

DANGER D'INCENDIE :

- Placez l'unité à au moins 1" (25 mm) de murs ou de matières inflammables. Si ces distances de sécurité ne sont pas respectées, une décoloration ou une combustion peut se produire.
- Les lampes DL de puissance standard (ampoule de 250 W) et les luminaires DL (ampoule de 200 W maximum) doivent être installés à une distance d'au moins 16" (406 mm) au-dessus d'une surface inflammable et à une distance d'au moins 5" (127 mm) au-dessus d'une surface ininflammable. Si ces distances de sécurité ne sont pas respectées, une décoloration ou une combustion peut se produire.
- Les lampes DLH haute puissance (ampoule de 375 W) doivent être installées à une distance d'au moins 686 mm (27 po) au-dessus d'une surface inflammable et à une distance d'au moins 5" (127 mm) au-dessus d'une surface ininflammable. Si ces distances de sécurité ne sont pas respectées, une décoloration ou une combustion peut se produire.
- N'installez pas une ampoule de 375 W dans une lampe ou un luminaire DL de puissance standard.

Cet appareil ne contient aucune pièce réparable par l'utilisateur. Si cet appareil doit être réparé, contacter un réparateur Hatco agréé ou le Service après-vente Hatco au +1 800-558-0607 ou +1 414-671-6350 ; télécopieur +1 800-690-2966; télécopieur internationale +1 414-671-3976.

ATTENTION

DANGER DE BRÛLURE : Certaines surfaces extérieures de l'appareil deviennent chaudes. Toucher ces zones de l'appareil avec précaution.

Placez l'unité à une hauteur adéquate par rapport au comptoir, dans un endroit facilement accessible.

Si vous prévoyez d'installer un rail, n'utilisez que des unités compatibles avec les rails Power-Trac HALO® et des supports de fixation compatibles avec les rails de la série L650.

Les systèmes Power-Trac ne sont pas conçus pour être utilisés avec un cordon d'alimentation ou un adaptateur de prise murale.

La capacité maximale des systèmes Power-Trac est de 20 A par circuit. Vérifiez avec soin les fusibles et les circuits avant de procéder à l'installation. La capacité maximale de 20 A comprend tous les dispositifs d'éclairage et autres appareils raccordés au circuit (120 V uniquement, 1920 W maximum quelle que soit la longueur du rail).

Lors de l'installation d'un rail, percez avec précaution afin de ne pas endommager les isolateurs du jeu de barres. Si les isolateurs sont endommagés, éliminez la section ; ne l'utilisez pas.

ATTENTION

Pour les unités non marquées CE et sans interrupteur fourni par Hatco, un électricien qualifié devra choisir un interrupteur adapté à l'application en fonction de l'ampérage et du niveau d'intensité du courant d'appel de l'interrupteur.

Pour les unités marquées CE, un électricien qualifié devra choisir et installer un interrupteur bipolaire adapté à l'application en fonction de l'ampérage et du niveau d'intensité du courant d'appel de l'interrupteur.

Toutes les unités à fixation sur pavillon sont conçues pour être compatibles avec une boîte de dérivation octogonale standard de 4" (102 mm). La boîte de dérivation doit être solidement fixée à la structure du bâtiment.

Dans le cas d'une installation à lampes décoratives multiples, conservez entre chaque unité une distance de séparation minimum de 12" (305 mm), mesurée du centre d'un abat-jour à l'autre.

AVIS

Les dommages pouvant être causés au dessus de comptoir par l'équipement de Hatco ne sont pas couverts par la garantie de Hatco. Contactez le fabricant du comptoir pour les informations concernant l'application.

Les lampes décoratives Hatco sont conçues pour être compatibles avec les rails Power-Trac de marque HALO®, modèle L651, L652 et L653. Elles ne doivent être installées sur aucun autre type de rail.

Utilisez seulement des nettoyeurs non abrasifs et des chiffons doux. Les chiffons et nettoyeur abrasifs pourraient érafler la finition de l'unité, entachant son apparence et la rendant susceptible à l'accumulation de saleté.

Ne nettoyez pas les unités avec un nettoyeur à base d'ammoniaque.

Cet appareil est conçu exclusivement pour une utilisation commerciale—PAS pour un emploi domestique.

DESCRIPTION DU MODÈLE

Tous les Modèles

Toutes les lampes décoratives sont fabriquées en aluminium et acier et comprennent un matériel de fixation hautement résistant. Chaque lampe décorative est fournie avec une ampoule infrarouge contenue dans un abat-jour ventilé (ampoule pour luminaire non incluse). L'abat-jour est disponible en plusieurs coloris à revêtement poudré, finition matte ou brillante.

Modèles DL (puissance standard)

Les modèles de puissance standard DL fonctionnent avec une ampoule infrarouge de 250 W et sont fournis avec un interrupteur marche/arrêt (I/O) intégré, situé sur la tige ou le pavillon pour un contrôle indépendant. Les unités DL peuvent être commandées avec un interrupteur à distance en option (REM) ou sans interrupteur.

Une version luminaire des modèles DL est disponible à des fins d'éclairage uniquement (pas de chaleur). La version luminaire fonctionne avec une ampoule de 200 W maximum (non incluse).

Modèles DLH (haute puissance)

Les modèles haute puissance DHL fonctionnent avec une ampoule infrarouge de 375 W et sont disponibles avec un interrupteur à distance (REM) ou sans interrupteur.

ATTENTION

Pour les unités non marquées CE et sans interrupteur fourni par Hatco, un électricien qualifié devra choisir un interrupteur adapté à l'application en fonction de l'ampérage et du niveau d'intensité du courant d'appel de l'interrupteur.

Pour les unités marquées CE, un électricien qualifié devra choisir et installer un interrupteur bipolaire adapté à l'application en fonction de l'ampérage et du niveau d'intensité du courant d'appel de l'interrupteur.

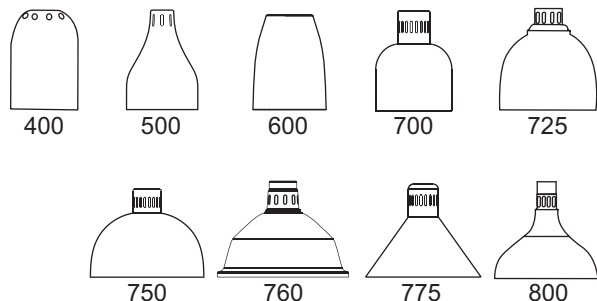
Des accessoires sont disponibles pour les lampes décoratives. Consultez la section OPTIONS ET ACCESSOIRES de ce manuel pour plus de détails.

D L H - 700 - S T U

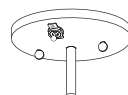
Lampe décorative
(lampe ou luminaire)

Haute puissance

Style d'abat-jour



Emplacement de l'interrupteur:



U = Interrupteur marche/arrêt (I/O) supérieur (non disponible sur les modèles haute puissance ni sur les unités à fixation de type R ou sur rail)



L = Interrupteur marche/arrêt (I/O) inférieur (non disponible sur les modèles haute puissance ni sur les unités à fixation de type A)



R = Interrupteur marche/arrêt (I/O) à distance (plaque d'interrupteur non fournie avec les interrupteurs de 120 V)

(120 V)

(240 V)

N = Aucun (fourni par l'installateur)

Type de fixation

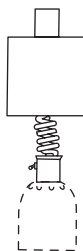
Fixation de type R

Fixation de la lampe par cordon de longueur réglable. Longueur de cordon réglable de 31" (787 mm) à 69-1/2" (1765 mm).



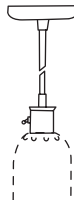
Fixation de type RT

Fixation de la lampe à l'adaptateur du rail par cordon de longueur réglable. Longueur de cordon réglable de 33-3/8" (848 mm) à 71-7/8" (1826 mm).



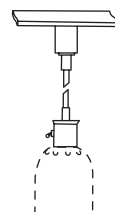
Fixation de type C

Fixation de la lampe au pavillon par cordon. Longueur totale de 17" (432 mm) minimum.



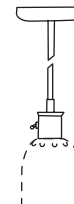
Fixation de type CT

Fixation de la lampe à l'adaptateur du rail par cordon. Longueur totale de 17" (432 mm) minimum.



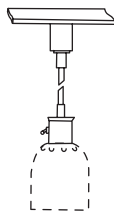
Fixation de type S

Fixation de la lampe au pavillon par tige rigide. Longueur totale de 14" (356 mm) à 71" (1803 mm).



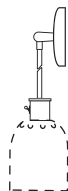
Fixation de type ST

Fixation de la lampe à l'adaptateur du rail par tige rigide. Longueur totale de 17" (432 mm) à 71" (1803 mm).



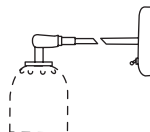
Fixation de type P

Fixation de la lampe au pavillon par tige rigide et bras articulé réglable attaché au pavillon. Longueur totale de 17" (432 mm) à 71" (1803 mm).



Fixation de type A

Fixation de la lampe au pavillon par tige rigide et bras articulé réglable attaché à la lampe. Longueur horizontale totale de 7" (178 mm) à 20" (508 mm). Longueur verticale jusqu'à la partie inférieure de l'abat-jour de 10-1/4" (260 mm).



Fixation de type TS

Fixation de la lampe par tige filetée à un support existant (non fourni par Hatco). Modèle uniquement disponible en tant que composant homologué UL (UR).



NOTA: N'installez pas un système de rail au-dessus de la table à vapeur ou d'un autre appareil générant de la vapeur.

NOTA: Les unités à fixation sur rail ne sont pas disponibles en 240 V.

NOTA: La hauteur de l'abat-jour augmente de 2" (51 mm) lorsque l'interrupteur inférieur (configuration L) est choisi.

NOTA: Pour les unités de 120 V, l'interrupteur marche/arrêt (I/O) à distance supporte jusqu'à 9 luminaires de 200 W, 7 lampes de 250 W ou 5 lampes de 375 W.

Pour les unités de 240 V, l'interrupteur marche/arrêt (I/O) à distance supporte jusqu'à 4 lampes de 250 W ou 3 lampes de 375 W.

Tableau des valeurs nominales électriques

Modèle	Tension	Intensité	Amps
Série DL	120	250	2.1
	240 (CE)	250	1.1
Série DLH	120	375	3.2
	240 (CE)	375	1.6

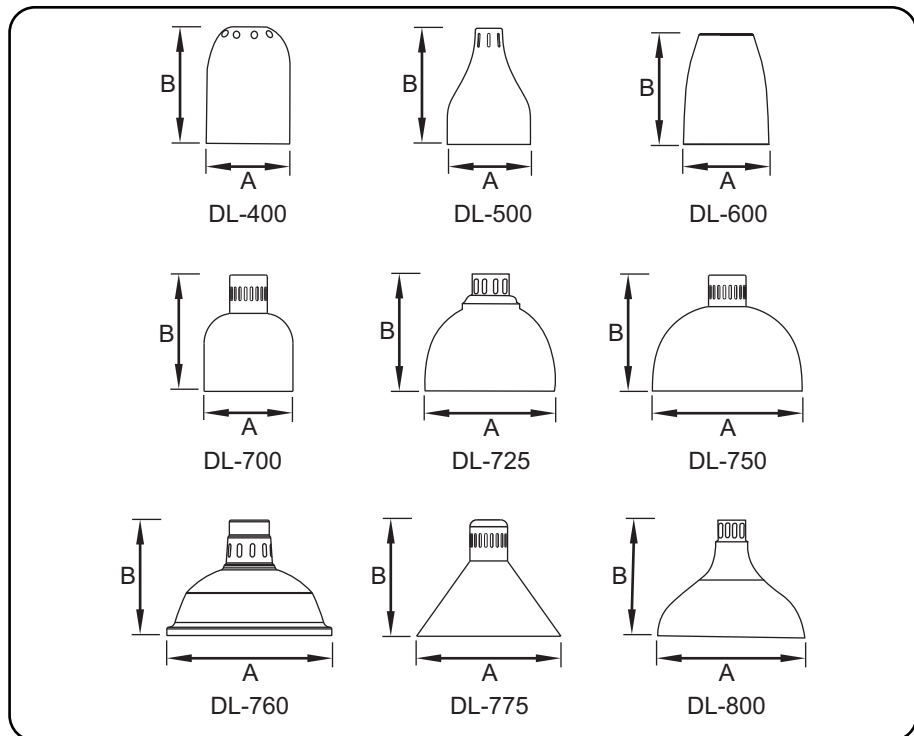
Modèle	Tension	Intensité	Amps
Luminaire DL	120	200	1.7

Les zones ombrées contiennent des informations électriques pour **les modèles internationaux uniquement**.

NOTA: L'étiquette des caractéristiques techniques est située à l'intérieur de l'abat-jour de la lampe. Consultez l'étiquette pour connaître le numéro de série et vérifier les caractéristiques électriques de l'unité.

Dimensions — Style d'abat-jour

Style d'abat-jour	Largeur (A)	Hauteur (B)
DL-400	6-1/8" (156 mm)	8-1/2" (216 mm)
DL-500	6-1/8" (156 mm)	8-1/2" (216 mm)
DL-600	6-1/4" (159 mm)	8-1/2" (216 mm)
DL-400	6-1/2" (165 mm)	8-1/2" (216 mm)
DL-700	9-1/2" (241 mm)	8-1/2" (216 mm)
DL-725	11" (279 mm)	8-1/2" (216 mm)
DL-750	12-1/2" (318 mm)	8-1/2" (216 mm)
DL-775	10-1/2" (267 mm)	8-1/2" (216 mm)
DL-800	11" (279 mm)	8-1/2" (216 mm)



Dimensions de l'abat-jour

NOTA: La hauteur de l'abat-jour augmente de 2" (51 mm) lorsque l'interrupteur inférieur (configuration L) est choisi.

Généralités

Suivez les recommandations et procédures décrites ci-dessous pour installer les lampes décoratives.

⚠ AVERTISSEMENT

DANGER DE DÉCHARGE ÉLECTRIQUE :

- L'appareil doit être installé par un électricien qualifié. L'installation doit être conforme à l'ensemble des réglementations électriques locales. Une installation par un personnel non qualifié provoquera une annulation de la garantie de l'appareil. Cela peut également entraîner un choc électrique ou une brûlure et endommager l'unité et/ou les zones environnantes.
- Coupez l'alimentation de l'endroit prévu pour la fixation avant de procéder à l'installation de l'unité.
- N'installez pas un système de rail au-dessus de la table à vapeur ou d'un autre appareil générant de la vapeur.
- Une mise à la terre incorrecte de l'unité peut entraîner des blessures graves ou le décès.
- L'appareil n'est pas à l'épreuve des intempéries. Placer l'appareil à l'intérieur.

DANGER D'INCENDIE :

- Placez l'unité à au moins 1" (25 mm) de murs ou de matières inflammables. Si ces distances de sécurité ne sont pas respectées, une décoloration ou une combustion peut se produire.
- Les lampes DL de puissance standard (ampoule de 250 W) et les luminaires DL (ampoule de 200 W maximum) doivent être installés à une distance d'au moins 16" (406 mm) au-dessus d'une surface inflammable et à une distance d'au moins 5" (127 mm) au-dessus d'une surface ininflammable. Si ces distances de sécurité ne sont pas respectées, une décoloration ou une combustion peut se produire.
- Les lampes DLH haute puissance (ampoule de 375 W) doivent être installées à une distance d'au moins 686 mm (27 po) au-dessus d'une surface inflammable et à une distance d'au moins 5" (127 mm) au-dessus d'une surface ininflammable. Si ces distances de sécurité ne sont pas respectées, une décoloration ou une combustion peut se produire.
- N'installez pas une ampoule de 375 W dans une lampe ou un luminaire DL de puissance standard.

⚠ ATTENTION

Dans le cas d'une installation à lampes décoratives multiples, conservez entre chaque unité une distance de séparation minimum de 12" (305 mm), mesurée du centre d'un abat-jour à l'autre.

Toutes les unités à fixation sur pavillon sont conçues pour être compatibles avec une boîte de dérivation octogonale standard de 4" (102 mm). La boîte de dérivation doit être solidement fixée à la structure du bâtiment.

Pour les unités non marquées CE et sans interrupteur fourni par Hatco, un électricien qualifié devra choisir un interrupteur adapté à l'application en fonction de l'ampérage et du niveau d'intensité du courant d'appel de l'interrupteur.

Pour les unités marquées CE, un électricien qualifié devra choisir et installer un interrupteur bipolaire adapté à l'application en fonction de l'ampérage et du niveau d'intensité du courant d'appel de l'interrupteur.

AVIS

Les dommages pouvant être causés au dessus de comptoir par l'équipement de Hatco ne sont pas couverts par la garantie de Hatco. Contactez le fabricant du comptoir pour les informations concernant l'application.

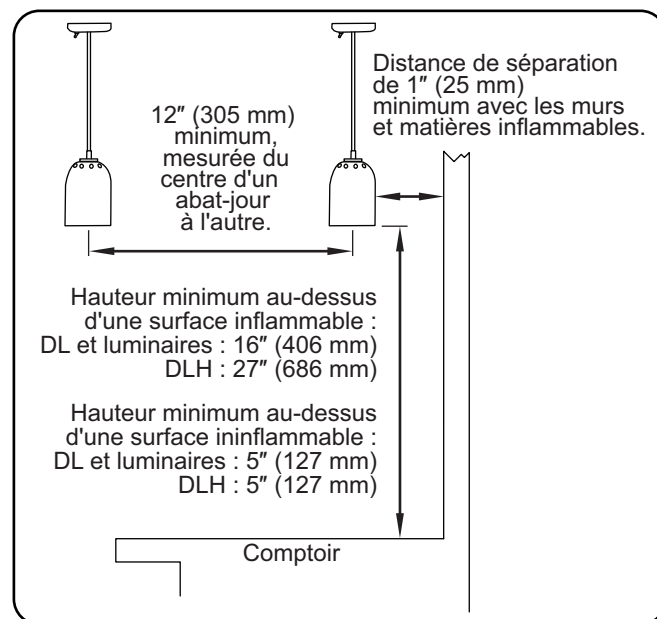
1. Retirez la lampe décorative de son emballage.
2. Retirez le ruban et l'emballage de protection de toutes les surfaces de l'appareil.

NOTA : Pour éviter des retards dans l'obtention de la couverture de la garantie, complétez l'enregistrement en ligne de votre garantie. Lisez la section INFORMATIONS IMPORTANTES POUR LE PROPRIÉTAIRE pour plus de détails.

3. Assurez-vous que l'endroit prévu pour l'installation présente les distances de séparation adéquates (illustrées ci-dessous).

NOTA: Pour une chaleur homogène, dans le cas d'une installation à lampes multiples, conservez entre chaque unité une distance de 12" (305 mm), mesurée du centre d'un abat-jour à l'autre.

NOTA: Les lampes décoratives non marquées CE peuvent être installées au-dessus d'une table chaude. Observez les distances de séparation recommandées pour l'installation.



Distances de séparation recommandées

NOTA: Pour les unités de 120 V, l'interrupteur marche/arrêt (I/O) à distance supporte jusqu'à 9 luminaires de 200 W, 7 lampes de 250 W ou 5 lampes de 375 W.

Pour les unités de 240 V, l'interrupteur marche/arrêt (I/O) à distance supporte jusqu'à 4 lampes de 250 W ou 3 lampes de 375 W.

Assemblage

Les modèles à fixation de type C, CT, R et RT sont suspendus par un cordon et sont livrés montés et prêts à être installés. Tous les autres modèles doivent être assemblés avant de pouvoir être installés. Consultez les instructions d'assemblage correspondant à votre modèle.

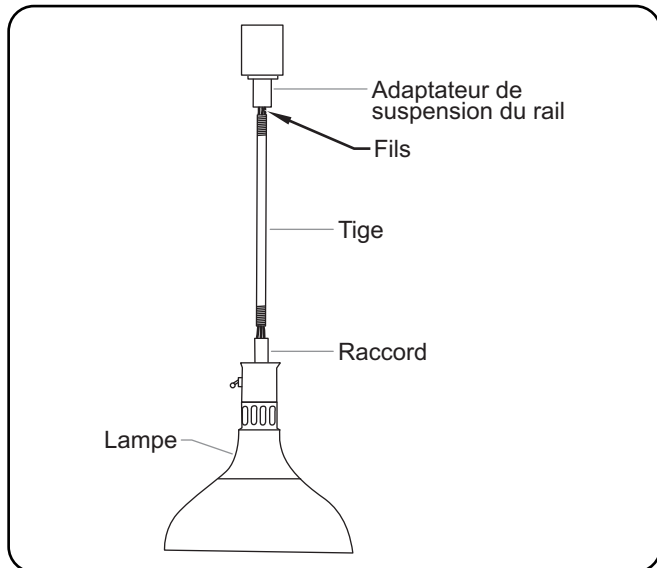
NOTA: Si l'abat-jour est livré avec un embout et un écrou en plastique dans l'orifice de fixation de la tige, ceux-ci devront être retirés avant la fixation de la tige à l'abat-jour.

AVERTISSEMENT

Coupez l'alimentation de l'endroit prévu pour la fixation avant de procéder à l'installation de l'unité.

Assemblage des unités à fixation de type ST

1. Retirez les embouts en plastique recouvrant chaque extrémité de la tige, si présents.
2. Faites passer les fils de la lampe dans la tige.
3. Vissez la tige dans le raccord de la lampe. Serrez-les fermement.
4. Ouvrez le panneau d'accès latéral de l'adaptateur de suspension du rail, puis faites passer les fils jusque dans le boîtier de l'adaptateur.
5. Vissez la tige dans l'adaptateur de suspension du rail et serrez fermement. La tige ne doit plus tourner une fois serrée.
6. Suivez les instructions fournies avec l'adaptateur de suspension pour raccorder les fils blancs, les fils noirs, puis les fils de terre verts à l'aide des capuchons de connexion fournis.



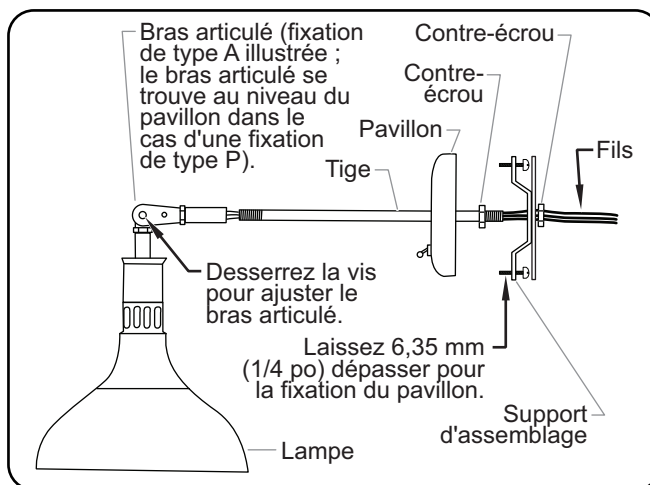
Assemblage des unités à fixation de type ST

Assemblage des unités à fixation de type A, P ou S

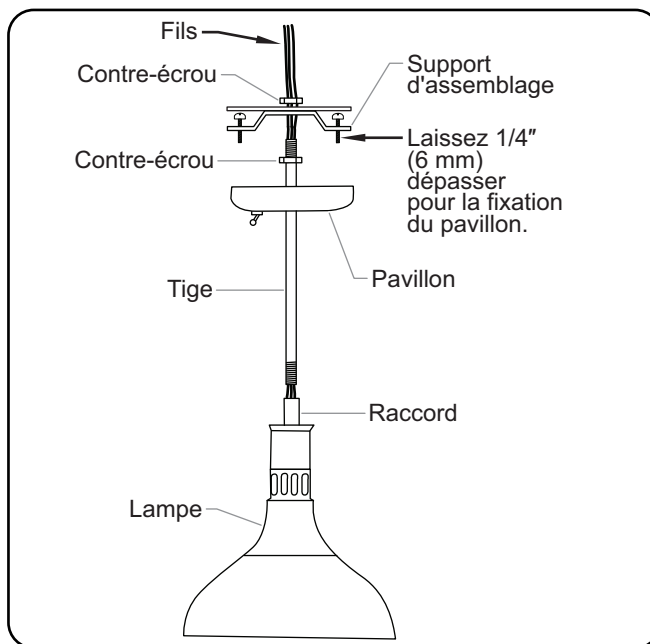
1. Retirez les embouts en plastique recouvrant chaque extrémité de la tige, si présents.
2. Retirez les deux contre-écrous de la tige.

NOTA: Les contre-écrous sont installés sur la tige à des fins d'expédition uniquement. Ils doivent être retirés avant de procéder à l'assemblage de l'unité. Une fois l'assemblage terminé, les contre-écrous se trouveront sur le côté pavillon de la tige.

3. Faites passer les fils de la lampe dans la tige.
4. Vissez la tige dans le raccord de l'abat-jour et serrez fermement. Si l'unité est dotée d'un bras articulé, redressez-le pour faciliter le passage des fils.
5. Placez le pavillon sur la tige.
6. Enfilez un contre-écrou sur la tige jusqu'au bout de la partie filetée de la tige.
7. Placez le support de fixation sur la tige de façon à ce qu'il repose contre le contre-écrou.
8. Enfilez le deuxième contre-écrou sur la tige et serrez-le contre le support de fixation.
9. Si l'unité comprend un interrupteur supérieur, raccordez le fil noir de la lampe à l'un des fils noirs de l'interrupteur. Utilisez le capuchon de connexion fourni.



Assemblage des unités à fixation de type A et P



Assemblage des unités à fixation de type S

Installation des unités à fixation de type A, C, P, S et R

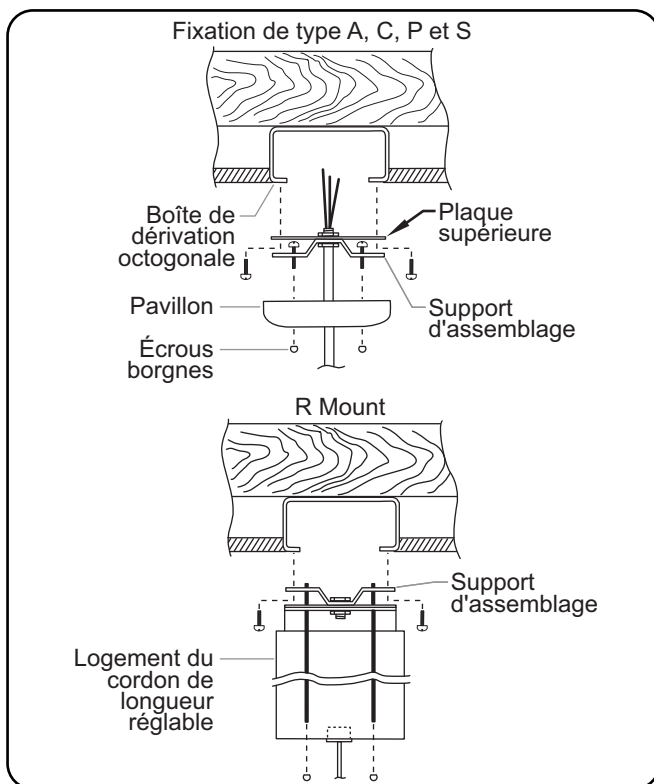
⚠ AVERTISSEMENT

Coupez l'alimentation de l'endroit prévu pour la fixation avant de procéder à l'installation de l'unité.

1. Fixez la plaque supérieure du support de fixation à une boîte de dérivation octogonale de 4" (102 mm) à l'aide des deux vis fournies avec la boîte de dérivation.
2. Assurez-vous que l'alimentation est coupée, puis raccordez le fil de phase L1 au fil noir de la lampe. Raccordez le neutre au fil blanc de la lampe.

Si la lampe comporte trois fils, raccordez la terre au fil vert. Si la lampe n'a que deux fils, effectuez le raccordement à la terre au niveau de la boîte de dérivation. Rentez l'excédent des fils dans la boîte de dérivation.

3. Faites glisser le pavillon ou le logement du cordon jusqu'à ce qu'il touche le plafond, puis fixez-le bien contre le plafond à l'aide des deux écrous borgnes.



Fixation à une boîte de dérivation

Installation des unités à fixation de type TS (homologuées UL)

⚠ AVERTISSEMENT

Coupez l'alimentation de l'endroit prévu pour la fixation avant de procéder à l'installation de l'unité.

1. Percez un trou de 7/16" (11 mm) dans le support de fixation.
2. Faites passer les fils de la lampe dans le trou.
3. Fixez la lampe au support de fixation à l'aide d'un écrou.

4. Assurez-vous que l'alimentation est coupée, puis raccordez le fil de phase L1 au fil noir de la lampe. Raccordez le neutre au fil blanc de la lampe et la terre au fil vert.

Installation des unités à fixation sur rail de type CT, ST et RT

⚠ AVERTISSEMENT

DANGER DE DÉCHARGE ÉLECTRIQUE : N'installez pas un système de rail au-dessus de la table à vapeur ou d'un autre appareil générant de la vapeur.

⚠ ATTENTION

Si vous prévoyez d'installer un rail, n'utilisez que des unités compatibles avec les rails Power-Trac HALO® et des supports de fixation compatibles avec les rails de la série L650.

Les systèmes Power-Trac ne sont pas conçus pour être utilisés avec un cordon d'alimentation ou un adaptateur de prise murale.

La capacité maximale des systèmes Power-Trac est de 20 A par circuit. Vérifiez avec soin les fusibles et les circuits avant de procéder à l'installation. La capacité maximale de 20 A comprend tous les dispositifs d'éclairage et autres appareils raccordés au circuit (120 V uniquement, 1920 W maximum quelle que soit la longueur du rail).

AVIS

Les lampes décoratives Hatco sont conçues pour être compatibles avec les rails Power-Trac de marque HALO®, modèle L651, L652 et L653. Elles ne doivent être installées sur aucun autre type de rail.

Le rail doit être alimenté par un seul circuit de dérivation de 120 V, 60 Hz, 20 A.

NOTA: Un maximum de 9 luminaires de 200 W, 7 lampes de 250 W ou 5 lampes de 375 W peuvent être installés par circuit de 120 V, 20 A. Il relève de la responsabilité de l'installateur de déterminer la taille adéquate du circuit d'alimentation en fonction du nombre de lampes.

Les cordons et rails standard des systèmes Hatco sont noirs. Des cordons et rails blancs sont disponibles en option. Hatco offre des kits de rail en trois longueurs différentes :

- L651 — 4' (1219 mm)
- L652 — 8' (2438 mm)
- L653 — 12' (3658 mm)

Lors de l'installation et de l'utilisation d'un rail, les consignes de sécurité de base suivantes doivent toujours être observées :

- Lisez l'ensemble des instructions d'installation avant de procéder à l'installation du rail.
- Conservez ces instructions afin de pouvoir vous y référer en cas de modification ultérieure de la configuration.
- N'installez pas le système de rails dans des endroits humides, y compris au-dessus d'une table à vapeur ou d'un appareil générant de la vapeur. L'installation dans de tels emplacements annulera la garantie.
- Aucun élément du rail ne doit se trouver à moins de 5' (1524 mm) du sol.
- Séparez les lampes d'au moins 1" (25 mm) de tout rideau ou toute autre matière inflammable.

- Coupez l'alimentation avant de procéder à toute modification de la configuration du rail.
- Ne tentez pas d'alimenter autre chose sur le rail que les lampes prévues pour être installées sur un rail Power-Trac. Afin de réduire le risque d'incendie et de choc électrique, ne tentez pas de raccorder des outils électriques, des rallonges, des appareils, etc. au rail.

Le rail doit être fixé à l'aide d'attaches appropriées dans les trous de fixation prépercés, comme suit :

- **Rail de 4' (1219 mm)** — 2 fixations, une à chaque extrémité du rail.
- **Rail de 8' (2438 mm)** — 3 fixations, une à chaque extrémité du rail et une au centre.
- **Rail de 12' (3658 mm)** — 4 fixations, une à chaque extrémité du rail et une à 4' (1219 mm) de chaque extrémité.

S'il est nécessaire de couper le rail sur place, consultez la procédure décrite à la section « Coupe du rail à une longueur spécifique ». S'il n'est pas nécessaire de couper le rail, passez à la section « Installation du rail ».

Coupe du rail à une longueur spécifique

NOTA: La coupe du rail doit être effectuée du côté sans alimentation.

1. Retirez l'embout de l'extrémité sans alimentation et poussez le jeu de barres en cuivre et les isolateurs jusqu'à ce qu'ils soient alignés avec l'extrémité avec alimentation du rail. Mesurez la longueur à partir de l'extrémité avec alimentation et effectuez un repère de coupe.
2. À l'aide d'une scie à métaux, coupez le rail à la longueur désirée. Assurez-vous de garder 1/8" (3 mm) pour l'embout de l'extrémité sans alimentation, qui devra être remplacé à l'extrémité du rail.
3. Éliminez les débris du rail, des isolateurs et du jeu de barres en cuivre.
4. Poussez le jeu de barres en cuivre dans les isolateurs jusqu'à 1/2" (13 mm) de l'extrémité du rail.

NOTA: Une fois l'étape ci-dessus complétée, les isolateurs du jeu de barres doivent être alignés avec les extrémités du sillon du rail, et le jeu de barres en cuivre doit se trouver de 7/16" (11 mm) minimum à 1/2" (13 mm) maximum en retrait par rapport à chaque extrémité du rail. Si tel n'est pas le cas, apportez les modifications nécessaires.

5. Réinstallez l'embout de l'extrémité sans alimentation et serrez la vis.

REMARQUE IMPORTANTE :

Une fois la coupe du rail effectuée, assurez-vous que chaque section de rail d'une longueur de 4' (1219 mm) ou moins comporte un trou de fixation situé à 6" (152 mm) maximum de chaque extrémité du rail. Une section de rail dont la longueur est supérieure à 4' (1219 mm) doit avoir un trou de fixation situé à 12" (305 mm) maximum de chaque extrémité du rail, ainsi que des trous de fixation supplémentaires situés au minimum tous les 4' (1219 mm) sur toute sa longueur. Des trous de fixation supplémentaires peuvent être percés selon les besoins.

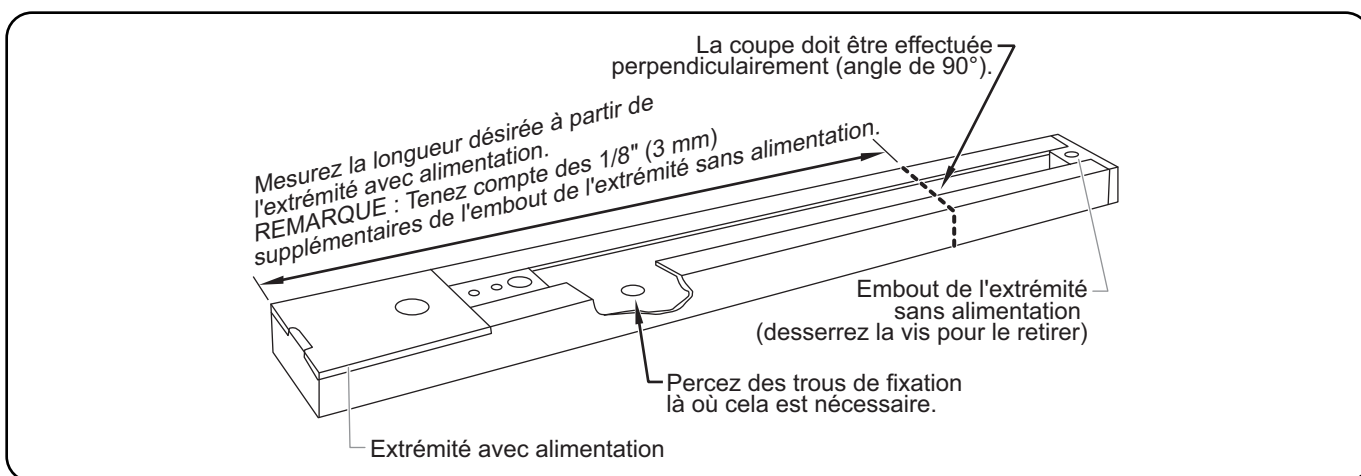
Si nécessaire, observez la procédure suivante pour percer des trous de fixation supplémentaires :

1. Marquez l'emplacement désiré pour les trous de fixation le long de la ligne centrale interne de la section de rail.
2. Percez un trou de 3/16" (5 mm) dans le sillon du rail.



Lors de l'installation d'un rail, percez avec précaution afin de ne pas endommager les isolateurs du jeu de barres. Si les isolateurs sont endommagés, éliminez la section ; ne l'utilisez pas.

3. Éliminez les débris et passez à la section « Installation du rail ».



Coupe du rail à une longueur spécifique

Installation du rail

AVERTISSEMENT

Coupez l'alimentation de l'endroit prévu pour la fixation avant de procéder à l'installation de l'unité.

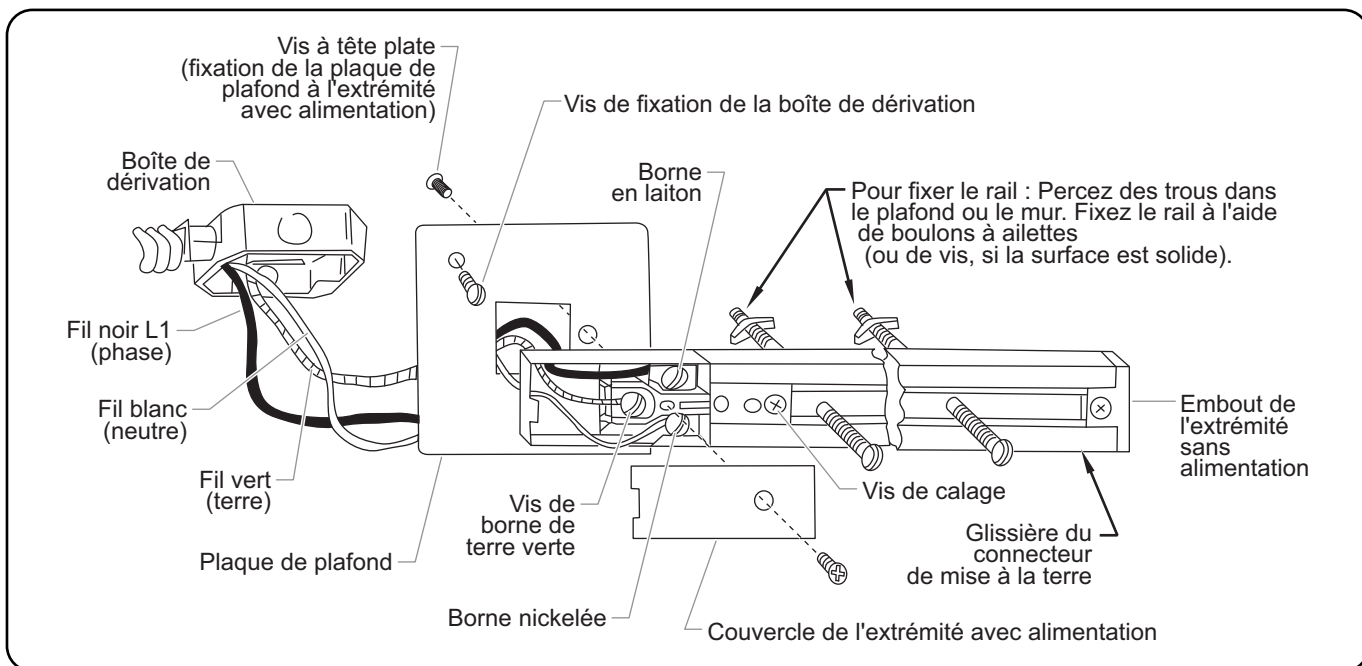
1. Défoncez les trous prépercés appropriés sur la plaque de plafond.

AVIS

Faites attention de ne pas endommager la partie lisse en plastique de la plaque de plafond métallique lors du choix des trous prédécoupés appropriés à défoncer.

2. Retirez la ou les vis à tête plate au dos de l'extrémité avec alimentation, et utilisez-les pour fixer la plaque de plafond à l'extrémité avec alimentation.
3. Retirez le couvercle de l'extrémité avec alimentation. Placez le rail avec la plaque de plafond attachée au-dessus de la boîte de dérivation, puis marquez d'un repère l'emplacement des trous de fixation du rail sur le plafond ou le mur.

4. Percez des trous de fixation dans le plafond ou le mur suffisamment gros pour les boulons à ailettes fournis, puis installez le rail à l'aide de ces boulons. S'il est prévu de fixer le rail sur une surface solide, utilisez des vis de calibre 8 (non incluses) à la place des boulons à ailettes.
5. Passez les fils de la boîte de dérivation à travers le trou de l'extrémité avec alimentation.
6. Fixez la plaque de plafond à la boîte de dérivation avec deux vis.
7. Coupez et dénudez les fils sur une longueur de 3/8" (10 mm), puis attachez-les aux bornes à vis de l'extrémité avec alimentation. Rentez l'excédent des fils dans la boîte de dérivation, puis fixez le fil de terre à la vis de borne de terre verte.
8. Remplacez le couvercle sur l'extrémité avec alimentation et serrez la vis.
9. Installez la ou les lampes aux emplacements désirés le long du rail. Pour installer les lampes:
 - a. Tirez sur la languette de verrouillage de l'adaptateur de suspension vers l'arrière et insérez l'adaptateur dans le rail.
 - b. Faites tourner l'adaptateur d'environ 90° jusqu'à ce qu'il se verrouille en position.



Installation du rail

Généralités

Observez les étapes suivantes pour faire fonctionner une lampe décorative.

AVERTISSEMENT

Lire tous les messages de sécurité de la section Consignes de sécurité importantes avant d'utiliser ce matériel.

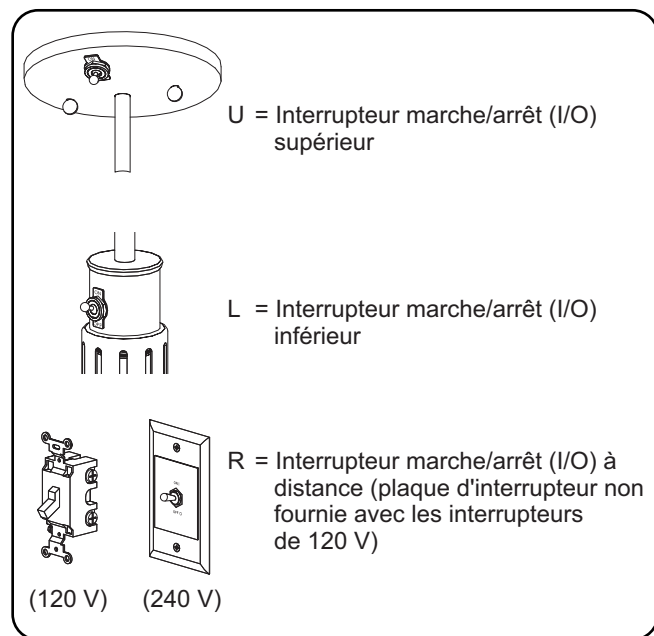
Hatco Corporation n'est pas responsable de la température réelle à laquelle les aliments sont servis. Il est de la responsabilité de l'utilisateur de s'assurer que les produits alimentaires sont maintenus et servis à une température sans danger.

Allumage

- Placez l'interrupteur marche/arrêt (I/O) sur la position marche (I). La lampe/le luminaire s'allume.
 - Les lampes sont automatiquement à température et sont conçues pour fournir un éclairage et une chaleur immédiats.

ATTENTION

DANGER DE BRÛLURE : Certaines surfaces extérieures de l'appareil deviennent chaudes. Toucher ces zones de l'appareil avec précaution.



Interrupteurs marche/arrêt (I/O)

Arrêt

- Placez l'interrupteur marche/arrêt (I/O) sur la position arrêt (O). La lampe/le luminaire s'éteint.

Fonctionnement des unités à cordon rétractable

Les unités à fixation de type R et RT sont équipées d'un cordon rétractable qui permet d'ajuster la hauteur de la lampe. Observez les étapes suivantes pour abaisser ou relever les unités à fixation de type R et RT.

Abaisser l'unité

- Tirez sur la lampe tout droit et vers le bas pour allonger le cordon jusqu'à ce que la lampe atteigne la hauteur désirée.
- Lâchez doucement la lampe. La lampe remonte légèrement jusqu'à ce que le mécanisme de verrouillage dans le pavillon s'enclenche pour maintenir la lampe en position.

Relever l'unité

- Tirez légèrement sur la lampe tout droit et vers le bas pour débloquer le mécanisme de verrouillage. Tenez fermement la lampe lorsque le cordon se rétracte.

AVIS

Ne lâchez pas la lampe pendant que le cordon se rétracte. L'unité pourrait être endommagée.

- Laissez le cordon se rétracter complètement, ou arrêtez-le lorsque la lampe a atteint la hauteur désirée.
 - Tirez légèrement sur la lampe vers le bas pour enclencher le mécanisme de verrouillage et verrouiller la position de la lampe à la nouvelle hauteur.

Généralités

Les lampes décoratives Hatco sont conçues pour une durabilité et des performances maximum, avec un minimum d'entretien.

AVERTISSEMENT

DANGER DE DÉCHARGE ÉLECTRIQUE :

- Coupez l'alimentation au niveau du sectionneur porte-fusibles/disjoncteur et laissez l'unité refroidir avant d'entreprendre toute opération de nettoyage, de réglage ou d'entretien.
- **NE PAS immerger l'appareil ni le saturer d'eau. L'appareil n'est pas étanche à l'eau. Ne pas le faire fonctionner s'il a été immergé ou saturé d'eau.**
- Ne pas nettoyer à la vapeur ni utiliser trop d'eau sur l'appareil.
- Cet appareil n'est pas étanche aux jets. Ne pas utiliser de jet sous pression pour nettoyer l'appareil.

Cet appareil ne contient aucune pièce réparable par l'utilisateur. Si cet appareil doit être réparé, contacter un réparateur Hatco agréé ou le Service après-vente Hatco au +1 800-558-0607 ou +1 414-671-6350 ; télécopieur +1 800-690-2966; télécopieur internationale +1 414-671-3976.

AVIS

Nettoyez l'unité tous les jours pour éviter les dysfonctionnements et de maintenir le fonctionnement sanitaire.

Utilisez seulement des nettoyeurs non abrasifs et des chiffons doux. Les chiffons et nettoyeur abrasifs pourraient érafler la finition de l'unité, entachant son apparence et la rendant susceptible à l'accumulation de saleté.

Ne nettoyez pas les unités avec un nettoyeur à base d'ammoniaque.

Nettoyage quotidien

1. Placez l'interrupteur marche/arrêt (I/O) sur la position arrêt (O), puis laissez l'unité refroidir complètement.
2. Essuyez l'abat-jour avec un chiffon propre, doux et humecté d'eau. Les taches tenaces peuvent être effacées avec un détergent doux et non abrasif.

Remplacement d'une ampoule infrarouge

Chaque lampe décorative de puissance standard (DL) contient une ampoule infrarouge de 250 W. Chaque lampe décorative haute puissance (DLH) contient une ampoule infrarouge de 375 W. Des ampoules de 250 W peuvent également être utilisées avec les unités DLH.

AVERTISSEMENT

DANGER D'INCENDIE: N'installez pas une ampoule de 375 W dans une lampe ou un luminaire DL de puissance standard.

Utilisez uniquement des pièces de rechange d'origine Hatco lorsque l'entretien est nécessaire. Utilisez des pièces détachées Hatco authentiques sous peine d'annuler toutes les garanties et d'exposer l'utilisateur à des tensions électriques dangereuses pouvant entraîner une électrocution ou des brûlures. Les pièces de rechange authentiques Hatco sont spécifiées pour fonctionner en toute sécurité dans les environnements dans lesquels elles sont utilisées. Certaines pièces de rechange génériques ou d'après-vente n'ont pas les caractéristiques qui leur permettent d'opérer en toute sécurité dans les équipements Hatco.

1. Pour remplacer une ampoule, placez l'interrupteur marche/arrêt (I/O) sur la position arrêt (O), puis laissez l'ampoule refroidir complètement.
2. Le culot des ampoules est fileté. Dévissez l'ampoule de l'unité et remplacez-la avec une ampoule neuve.

NOTA: Consultez la section « Options et accessoires » de ce manuel pour connaître les ampoules infrarouges de rechange disponibles auprès de Hatco.

⚠ AVERTISSEMENT

La réparation de cet appareil doit être confiée exclusivement à du personnel qualifié. Les réparations par des personnes non qualifiées peuvent provoquer des décharges électriques et des brûlures.

⚠ AVERTISSEMENT

DANGER DE DÉCHARGE ÉLECTRIQUE: Coupez l'alimentation au niveau du sectionneur portatif/disjoncteur et laissez l'unité refroidir avant d'entreprendre toute opération de nettoyage, de réglage ou d'entretien.

Symptômes	Causes Probables	Action Correctrice
L'unité ne fonctionne pas du tout.	L'appareil n'est pas allumé.	Placez l'interrupteur marche/arrêt (I/O) (si présent) sur la position marche (I).
	L'interrupteur marche/arrêt (I/O) est défectueux.	Contactez votre agent de maintenance agréé ou Hatco.
	L'ampoule est grillée.	Remplacez l'ampoule.
L'unité est sous tension mais rien ne s'allume.	Il n'y a pas d'alimentation au niveau de l'appareil.	Vérifiez le disjoncteur et redémarrez si nécessaire.
	L'interrupteur est défectueux.	Contactez votre agent de maintenance agréé ou Hatco.
	L'ampoule est grillée.	Remplacez l'ampoule.
La chaleur est inadaptée.	L'appareil est monté trop haut par rapport à la zone cible.	Baissez l'appareil, permettant de cibler plus efficacement la chaleur.
	La circulation d'air autour de la lampe décorative est trop forte.	Restreindre ou rediriger le déplacement d'air (ex : la gaine de climatisation ou le ventilateur d'extraction) à distance de l'unité.
	La puissance de l'ampoule est inadéquate.	Vérifiez la puissance de l'ampoule et remplacez-la avec une ampoule de puissance adéquate. MISE EN GARDE! N'utilisez JAMAIS une ampoule d'une puissance supérieure à celle indiquée sur l'étiquette des caractéristiques techniques.
	L'alimentation électrique est incorrecte (basse).	Vérifiez l'alimentation électrique de l'appareil, assurez-vous qu'il corresponde aux valeurs sur l'appareil. Si l'alimentation électrique est incorrecte, changez pour correspondre aux valeurs sur l'appareil.
La chaleur est excessive.	L'appareil est monté trop près de la zone cible.	Vérifiez pour vérifier que l'installation est conforme aux spécifications pour le type/modèle Augmentez la hauteur du montage s'il est trop proche.
	La puissance de l'ampoule est trop élevée.	Vérifiez la puissance de l'ampoule et remplacez-la avec une ampoule de puissance plus faible, si disponible.
	La tension est trop élevée.	Vérifiez l'alimentation électrique de l'appareil, assurez-vous qu'il corresponde aux valeurs sur l'appareil. Si l'alimentation électrique est incorrecte, changez pour correspondre aux valeurs.
Les interrupteurs de contrôle grillent rapidement.	Les interrupteurs utilisés ne sont pas fournis par Hatco.	Les pièces d'origine Hatco sont conçues pour fonctionner de manière sûre et adéquate dans l'environnement dans lequel elles sont utilisées. Remplacez les interrupteurs avec des interrupteurs de marque Hatco si les interrupteurs actuels sont des pièces génériques ou issues du marché des pièces de rechange.

Vous avez des questions en ce qui concerne les pannes ?

Si le problème persiste, veuillez contacter l'agence d'entretien agréée Hatco la plus proche ou Hatco pour obtenir une assistance. Pour trouver l'agence d'entretien la plus proche, rendez-vous sur le site Internet de Hatco (www.hatcocorp.com) et cliquez sur Trouver un agent d'entretien, ou contactez l'équipe d'entretien et de pièces détachées de Hatco :

Numéro de téléphone: 800-558-0607 ou 414-671-6350
Courriel: partsandservice@hatcocorp.com
Télécopie: 800-690-2966 ou 414-671-3976

Ampoules infrarouges

Les ampoules infrarouges suivantes sont disponibles et compatibles avec les lampes décoratives Hatco.

DL (puissance standard)

250 W, 120 V, rouge, avec revêtement	02.30.068.00
250 W, 120 V, transparente, avec revêtement	02.30.069.00
250 W, 120 V, rouge, sans revêtement	02.30.070.00
250 W, 120 V, transparente, sans revêtement	02.30.071.00
250 W, 240 V (CE), transparente, avec revêtement	02.30.100.00
250 W, 240 V (CE), transparente, sans revêtement	02.30.083.00

DLH (haute puissance)

375 W, 120 V, transparente, sans revêtement	02.30.093.00
375 W, 120 V, rouge, sans revêtement	02.30.094.00
375 W, 120 V, transparente, avec revêtement	02.30.097.00
375 W, 120 V, rouge, avec revêtement	02.30.098.00

DL (Luminaire)

60 W, 120 V, transparente, avec revêtement	02.30.043.00
60 W, 240 V (CE), transparente, avec revêtement	02.30.058.00

Barres de rail

Des barres de rail sont disponibles pour les unités à fixation sur rail (fixation de type CT, ST et RT) et peuvent être commandées en 3 longueurs : 4' (1219 mm), 8' (2438 mm) et 12' (3658 mm). Elles sont disponibles en noir ou blanc. Elles peuvent être coupées sur place, si nécessaire.

NOTA: Un maximum de 9 luminaires de 200 W, 7 lampes de 250 W ou 5 lampes de 375 W peuvent être installés par circuit de 120 V, 20 A. Il relève de la responsabilité de l'installateur de déterminer la taille adéquate du circuit d'alimentation en fonction du nombre de lampes.

NOTA: Les unités non prévues pour une fixation sur rail ne peuvent pas être modifiées pour être compatibles avec une telle installation.

NOTA: Disponibles pour les unités de 120 V uniquement.

1. GARANTIE DU PRODUIT

Hatco garantit que les produits qu'il fabrique (les « Produits ») sont exempts de défauts de matériel et de fabrication, dans des conditions normales d'utilisation et de maintenance, pour une période d'un (1) an à partir de la date d'achat à condition que l'appareil soit installé et entretenu conformément aux instructions écrites de Hatco ou 18 mois après la date de l'expédition par Hatco. L'acheteur doit prouver la date d'achat du Produit par l'enregistrement du produit auprès de Hatco ou par d'autres moyens satisfaisants pour Hatco, à sa seule discrétion.

Hatco garantit que les composants du Produit suivants sont exempts de défauts de matériel et de fabrication à partir de la date d'achat (sous réserve des conditions précédentes) pour la ou les périodes de temps et en fonction des conditions listées ci-dessous :

a) Garantie d'un (1) an pour les pièces et la main-d'œuvre PLUS un an (1) supplémentaire pour les pièces uniquement :

Éléments du grille-pain à convoyeur (enveloppe métallique)
Éléments des tiroirs chauffants (enveloppe métallique)
Tiroirs, roues et glissières des tiroirs chauffants
Éléments des rampes chauffantes (enveloppe métallique)
Éléments des vitrines chauffantes (enveloppe métallique, air chauffant)
Éléments des armoires de stockage (enveloppe métallique, air chauffant)
Éléments des compartiments chauffants — série HW et HWB (enveloppe métallique)

b) Garantie d'un (1) an pour les pièces et la main-d'œuvre PLUS quatre (4) ans pour les pièces uniquement :

Cuves 3CS et FR

c) Garantie d'un (1) an pour les pièces et la main-d'œuvre PLUS neuf (9) ans pour les pièces uniquement :

Cuves des appareils de chauffage d'appoint électriques
Cuves des appareils de chauffage d'appoint à gaz

d) Garantie de quatre-vingt-dix (90) jours pour les pièces uniquement :

Pièces de rechange

LES GARANTIES PRÉCÉDENTES SONT EXCLUSIVES ET REMPLACENT TOUTES AUTRES GARANTIES, EXPRESSES OU IMPLICITES, COMPRENANT, MAIS NE SE LIMITANT PAS À, TOUTES GARANTIES IMPLICITES DE QUALITÉ MARCHANDE OU DE FINALITÉ PARTICULIÈRE OU TOUTS BREVETS OU TOUTES AUTRES ATTEINTES AUX DROITS DE LA PROPRIÉTÉ INTELLECTUELLE. Sans restreindre la portée générale des énoncés précédents, CES GARANTIES NE COUVRENT PAS : Ampoules d'éclairage à incandescence enduites, lumières fluorescentes, ampoules de lampes chauffantes, ampoules d'éclairage à halogène enduites, ampoules de lampes chauffantes au xénon, tubes d'éclairage DEL, composants en verre et fusibles ; défaut de produit dans la cuve d'un appareil de chauffage d'appoint, dans un échangeur de chaleur à tubes à ailettes ou tout autre équipement de chauffage d'eau causé par la calcification, l'accumulation de sédiments, la réaction d'un produit chimique ou le gel ; ou une mauvaise utilisation, une manipulation ou une mauvaise application, une installation inappropriée du Produit ou l'utilisation d'une tension inappropriée.

2. LIMITES DES RECOURS ET DES DOMMAGES

La responsabilité de Hatco et la seule voie de recours de l'Acheteur prévues par les présentes seront limitées exclusivement, au gré de Hatco, à la réparation ou au remplacement à l'aide de pièces ou de Produits nouveaux ou remis à neuf par Hatco ou un centre de réparation agréé par Hatco (sauf si l'Acheteur se situe hors des États-Unis, du Canada, du Royaume-Uni ou de l'Australie, auquel cas la responsabilité de Hatco et la seule voie de recours de l'Acheteur seront limitées exclusivement au remplacement des pièces concernées par la garantie) à l'égard de toute revendication effectuée dans les délais de garantie applicables mentionnés ci-dessus. Hatco se réserve le droit d'accepter ou de rejeter toute réclamation en partie ou dans son intégralité. Dans le cadre de cette Garantie limitée, « remis à neuf » signifie une pièce ou un Produit dont les caractéristiques techniques d'origine ont été restaurées par Hatco ou un centre de réparation agréé par Hatco. Hatco n'acceptera aucun retour de Produits sans qu'il n'ait auparavant donné son accord écrit, et tous ces retours approuvés doivent être effectués aux seuls frais de l'Acheteur. HATCO NE SERA PAS TENU RESPONSABLE, DANS AUCUNE CIRCONSTANCE, DES DOMMAGES CONSÉCUTIFS OU INDIRECTS, COMPRENANT, MAIS NE SE LIMITANT PAS À, LES COÛTS DE MAIN-D'ŒUVRE OU PERTES DE PROFITS DUS À UNE UTILISATION OU À UNE IMPOSSIBILITÉ D'UTILISER LES PRODUITS OU DUS AU FAIT QUE LES PRODUITS ONT ÉTÉ INTÉGRÉS DANS OU QU'ILS SONT DEVENUS UN COMPOSANT DE TOUT AUTRE PRODUIT OU BIEN.



AUTHORIZED PARTS DISTRIBUTORS • AUTORISÉS DISTRIBUTEURS DE PIÈCES

ALABAMA

Jones McLeod Appl. Svc.
Birmingham 205-251-0159

ARIZONA

Service Solutions Group
Phoenix 602-234-2443

Byassee Equipment Co.
Phoenix 602-252-0402

CALIFORNIA

Industrial Electric
Commercial Parts & Service, Inc.
Huntington Beach 714-379-7100

Chapman Appl. Service
San Diego 619-298-7106

P & D Appliance
Commercial Parts & Service, Inc.
S. San Francisco 650-635-1900

COLORADO

Hawkins Commercial Appliance
Englewood 303-781-5548

FLORIDA

Whaley Foodservice Repair
Jacksonville 904-725-7800

3Wire Nass Service Co., Inc.
Orlando 407-425-2681

B.G.S.I.
Pompano Beach 954-971-0456

Comm. Appliance Service
Tampa 813-663-0313

GEORGIA

TWC Services
Mableton 770-438-9797

Heritage Service Group
Norcross 866-388-9837

Southeastern Rest. Svc.
Norcross 770-446-6177

HAWAII

Burney's Comm. Service, Inc.
Honolulu 808-848-1466

Food Equip Parts & Service
Honolulu 808-847-4871

ILLINOIS

Parts Town
Lombard 708-865-7278

Eichenauer Elec. Service
Decatur 217-429-4229

Midwest Elec. Appl. Service
Elmhurst 630-279-8000

Cone's Repair Service
Moline 309-797-5323

INDIANA

GCS Service
Indianapolis 317-545-9655

IOWA

Electric Motor Service Co.
Davenport 319-323-1823

Goodwin Tucker Group
Des Moines 515-262-9308

KENTUCKY

Service Solutions Group
Lexington 859-254-8854

Service Solutions Group
Louisville 502-451-5411

LOUISIANA

Chandlers Parts & Service
Baton Rouge 225-272-6620

MARYLAND

Electric Motor Service
Baltimore 410-467-8080

GCS Service
Silver Spring 301-585-7550

MASSACHUSETTS

Ace Service Co., Inc.
Needham 781-449-4220

MICHIGAN

Bildons Appliance Service
Detroit 248-478-3320

Commercial Kitchen Service
Bay City 517-893-4561

Midwest Food Equip. Service
Grandville 616-261-2000

MINNESOTA

GCS Service
Plymouth 800-345-4221

MISSOURI

General Parts
Kansas City 816-421-5400

Commercial Kitchen Services
St. Louis 314-890-0700

Kaemmerlen Parts & Service
St. Louis 314-535-2222

NEBRASKA

Anderson Electric
Omaha 402-341-1414

NEVADA

Burney's Commercial
Las Vegas 702-736-0006

Hi. Tech Commercial Service
N. Las Vegas 702-649-4616

NEW JERSEY

Jay Hill Repair
Fairfield 973-575-9145

Service Plus
Flanders 973-691-6300

NEW YORK

Acme American Repairs, Inc.
Brooklyn 718-456-6544

Alpro Service Co.
Brooklyn 718-386-2515

Appliance Installation
Buffalo 716-884-7425

Duffy's Equipment Services, Inc.
Buffalo 800-836-1014

3Wire Northern
Plattsburgh 800-634-5005

Duffy's Equipment Services, Inc.
Sauquoit 800-836-1014

J.B. Brady, Inc.
Syracuse 315-422-9271

NORTH CAROLINA

Authorized Appliance
Charlotte 704-377-4501

OHIO

Akron/Canton Comm. Svc. Inc.
Akron 330-753-6635

Service Solutions Group
Cincinnati 513-772-6600

Commercial Parts and Service
Columbus 614-221-0057

Electrical Appl. Repair Service
Brooklyn Heights 216-459-8700

E. A. Wichman Co.
Toledo 419-385-9121

OKLAHOMA

Hagar Rest. Service, Inc.
Oklahoma City 405-235-2184

Krueger, Inc.
Oklahoma City 405-528-8883

OREGON

Ron's Service, Inc.
Portland 503-624-0890

PENNSYLVANIA

Elmer Schultz Services
Philadelphia 215-627-5401

FAST Comm. Appl. Service
Philadelphia 215-288-4800

Appliance Installation & Service
Pittsburgh 412-809-0244

K & D Service Co.
Harrisburg 717-236-9039

Electric Repair Co.
Reading 610-376-5444

RHODE ISLAND

Marshall Electric Co.
Providence 401-331-1163

SOUTH CAROLINA

Whaley Foodservice Repair
W. Columbia 803-791-4420

TENNESSEE

Camp Electric
Memphis 901-527-7543

TEXAS

GCS Service
Fort Worth 800-433-1804

Armstrong Repair Service
Houston 713-666-7100

Cooking Equipment Specialist
Mesquite 888-866-9276

Refrigerated Specialist, Inc.
Mesquite 888-866-9276

Commercial Kitchen Repair Co.
San Antonio 210-735-2811

UTAH

La Monica's Rest. Equip. Service
Murray 801-263-3221

VIRGINIA

Daubers
Norfolk 757-855-4097

Daubers
Springfield 703-866-3600

WASHINGTON

3Wire Restaurant Appliance
Seattle 800-207-3146

WISCONSIN

A.S.C., Inc.
Madison 608-246-3160

A.S.C., Inc.
Milwaukee 414-543-6460

CANADA

ALBERTA

Key Food Equipment Service
Edmonton 780-438-1690

BRITISH COLUMBIA

Key Food Equipment Service
Vancouver 604-433-4484

Key Food Equipment Service
Victoria 250-920-4888

MANITOBA

Air Rite, Inc.
Winnipeg 204-895-2300

NEW BRUNSWICK

EMR Services, Ltd.
Moncton 506-855-4228

ONTARIO

R.G. Henderson Ltd.
Toronto 416-422-5580

Choquette - CKS, Inc.
Ottawa 613-739-8458

QUÉBEC

Choquette - CKS, Inc.
Montreal 514-722-2000

Choquette - CKS, Inc.
Québec City 418-681-3944

UNITED KINGDOM

Marren Group
Northants +44(0)1933 665313

HATCO CORPORATION

P.O. Box 340500

Milwaukee, WI 53234-0500 U.S.A.

800-558-0607 414-671-6350

Parts and Service Fax 800-690-2966

International Fax 414-671-3976

partsandservice@hatcocorp.com

www.hatcocorp.com

Register your unit online!

See IMPORTANT OWNER INFORMATION
section for details.

S'inscrire en ligne!

Lisez la section INFORMATIONS IMPORTANTES
POUR LE PROPRIÉTAIRE pour plus de informations.