

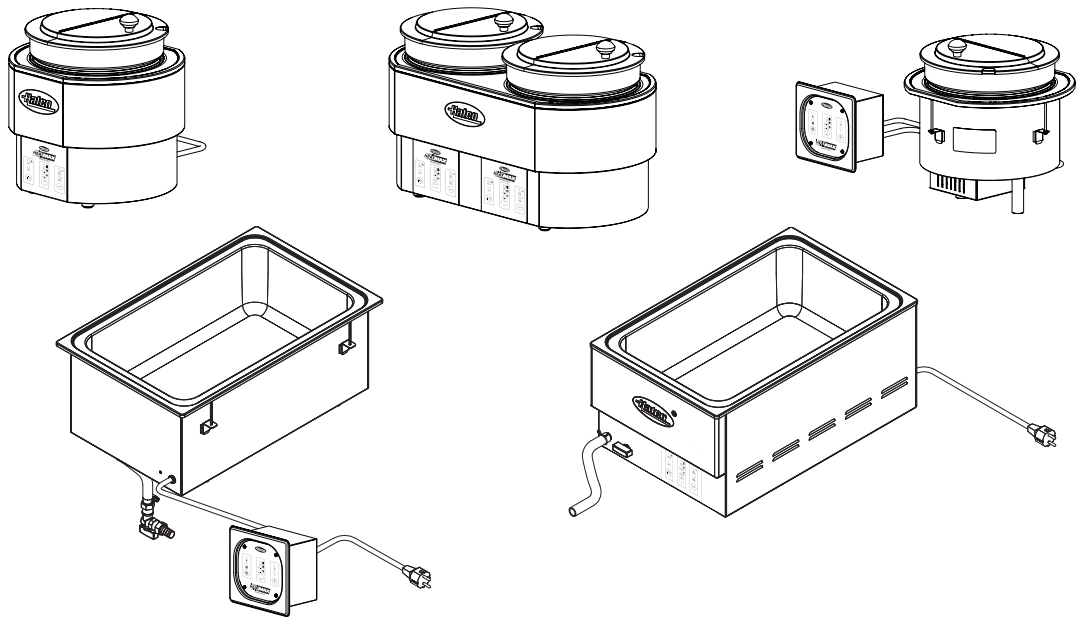


IMPORTANT NOTE: See page 3 for important information on how to use this Replacement Parts List.

HEAT-MAX[®] Heated Wells

RHW and RCTHW Series

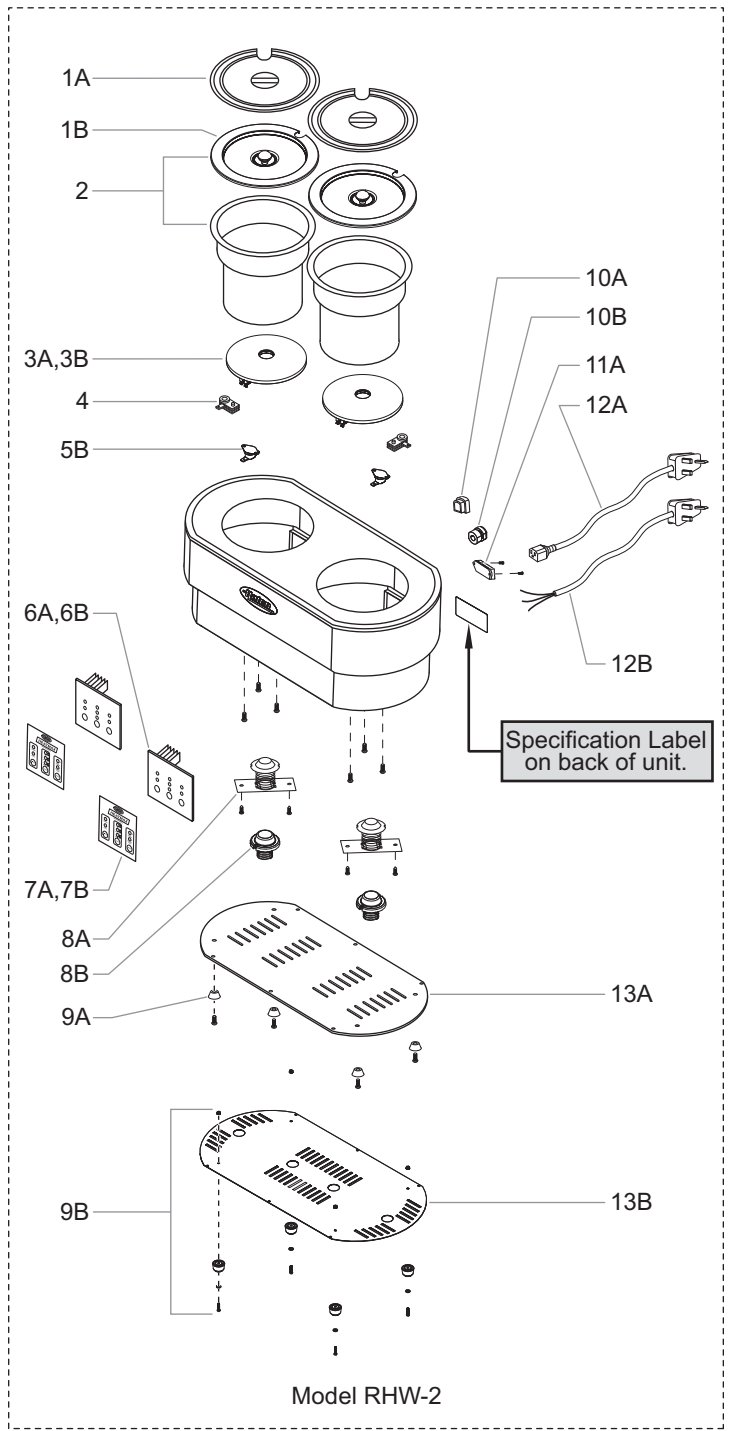
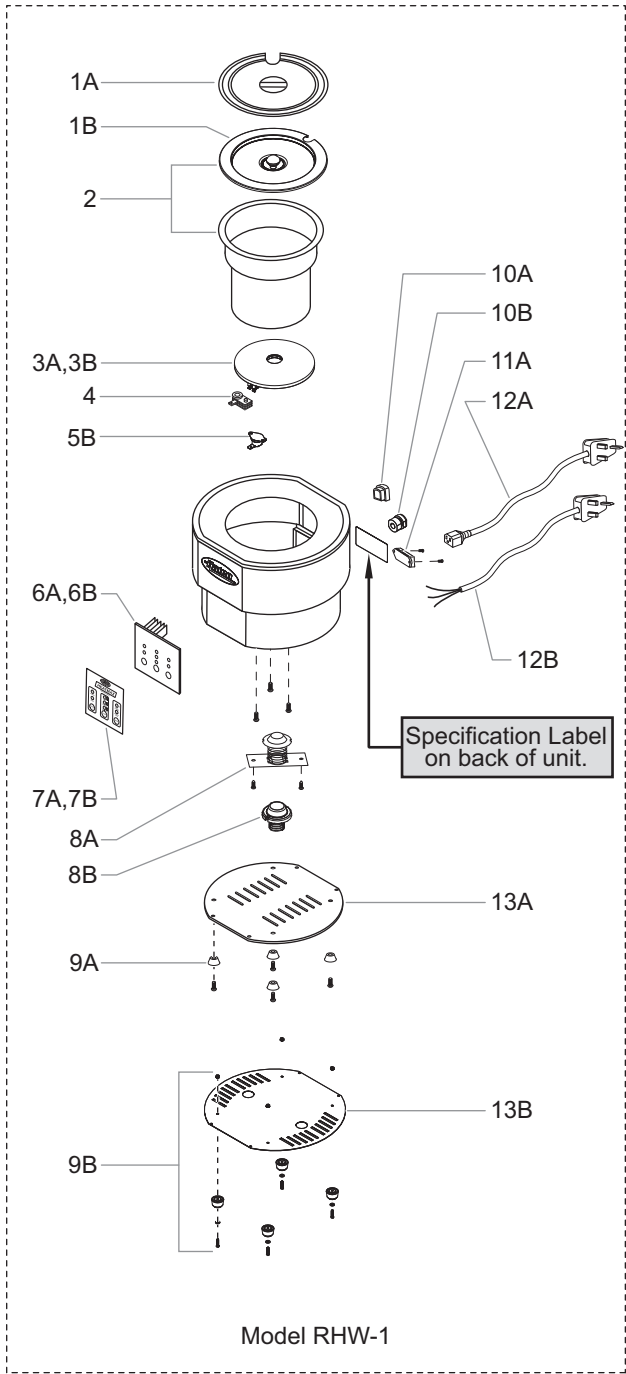
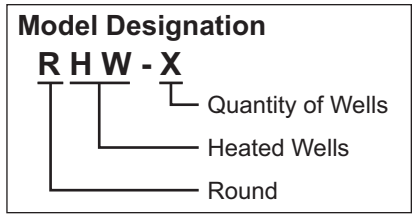
<u>Model Name</u>	<u>Page</u>	<u>Model Name</u>	<u>Page</u>	<u>Model Name</u>	<u>Page</u>
RHW-1	2	RCTHW-1	6 & 8	RCTHW-6	12
RHW-2	2	RCTHW-1B	6 & 10	RCTHW-6B.....	14
RHW-1B	4				



Replacement Parts List

Hatco HEAT-MAX® Heated Wells

RHW-1 and RHW-2 Models



IMPORTANT! — HOW TO USE THIS SECTION

This section is for RHW-1 and RHW-2 Model heated wells built before and after a manufacturing and part number change. Heated wells with a manufacturing date code of 0949 and older use **Item** numbers with the “A” suffix. Heated wells with a manufacturing date code of 0950 and newer use **Item** numbers with the “B” suffix. **Item** numbers that are not broken down with “A” or “B” suffixes are the same for all manufacturing date codes.

Part numbers of “N/A” indicate the item does not work with the designated unit or is no longer available.

NOTE: The last four digits in a ten digit numerical serial number are the manufacturing date code.

Example: Serial number 9625060951 has a date code of “0951” which indicates the following: 0951

Year 2009 —
Week Fifty-One —

Parts List for RHW-1 and RHW-2 Models — 230 V

Item Description	Part No.	Qty.	Item Description	Part No.	Qty.
1A Lid Assembly	N/A		11A Electrical Socket for Plug	X02.18.188.00	1
1B Lid w/Knob	04.19.1152.00	1–2	11B Electrical Socket for Plug	N/A	
2 Pan, 10 liter (includes Item 1B)	R04.19.1001.00	1–2	12A Power Cord Assembly	X02.18.187.00	1
3A Heating Element, 1250 W	X02.05.595.00	1–2	12B Power Cord		
3B Heating Element, 1250 W	02.05.595.00	1–2	AS 3112	02.18.105.00	1
4 High Limit Thermostat, 240°C	02.16.132.00	1–2	CEE 7/7 Schuko	02.18.038.00	1
5A Thermal Disk	N/A		BS-1363	02.18.068.00	1
5B Thermal Disk	R02.16.154.00	1–2	13A Bottom Cover		
6A Control Board	X02.01.238.00	1	RHW-1	X04.19.1005.00	1
6B Control Board †	02.01.238.00	1	RHW-2	X04.19.1007.00	1
7A Decal, Control Panel	X07.03.469.00	1–2	13B Bottom Cover		
7B Decal, Control Panel	07.01.333.00	1–2	RHW-1	04.42.220.00	1
8A High Limit Sensor Assembly	X02.16.129.00	1–2	RHW-2	04.42.228.00	1
8B High Limit Sensor and Harness Assembly	R02.18.286.00	1–2	A Wiring Diagram		
9A Foot	X05.30.094.00	4	RHW-1	10-01-363	
9B Foot Assembly	R05.30.148.04	1	RHW-2	10-01-364	
10A Strain Relief, Cord	X02.20.338.00	1	B Wiring Diagram		
10B Strain Relief, Cord	02.20.369.00	1	RHW-1	10-01-815	
			RHW-2	10-01-842	

† Control Board (P/N 02.01.238.00) has three DIP switches. For RHW Series units, use the following settings:
1 = OFF, 2 = OFF, 3 = OFF.

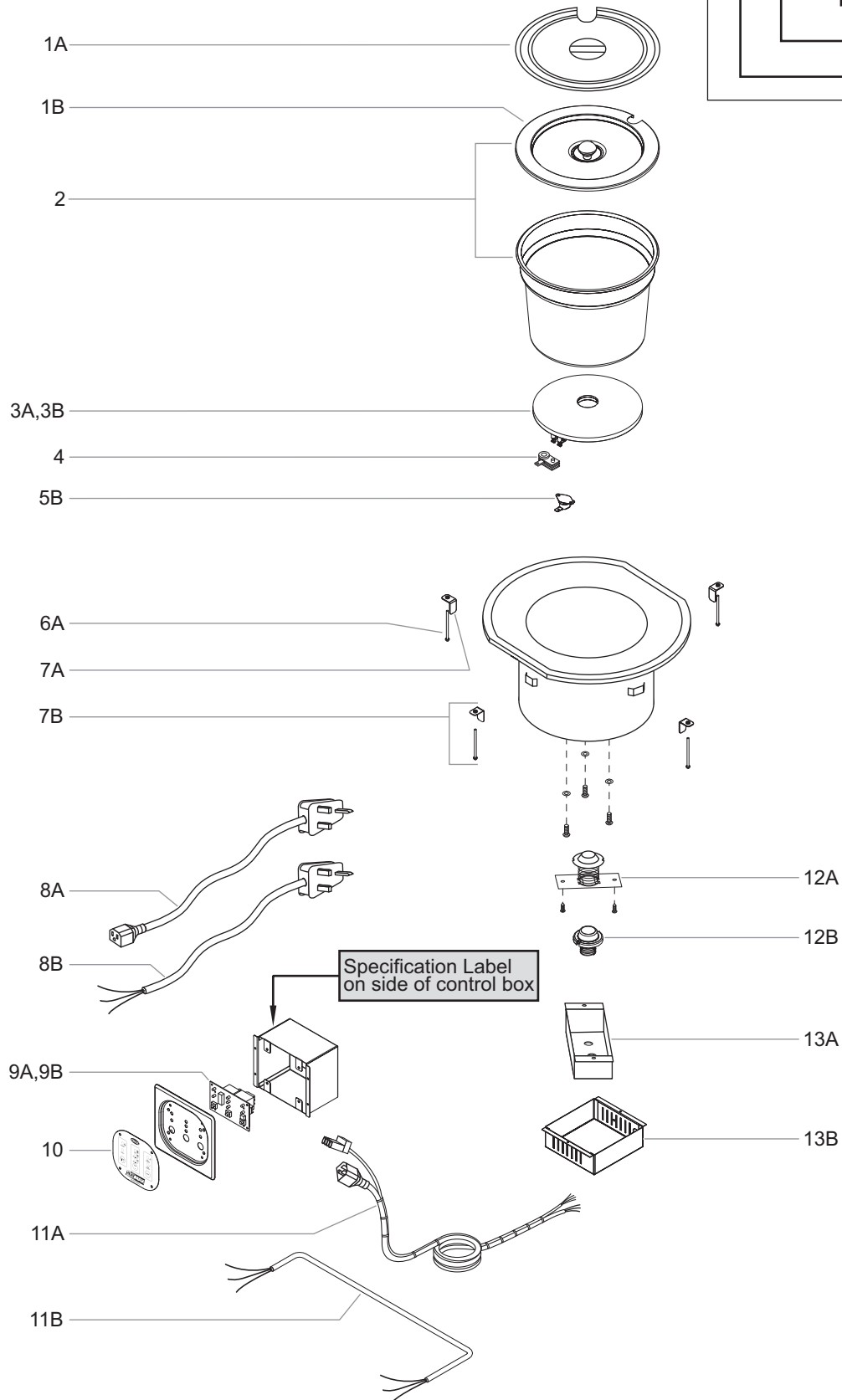
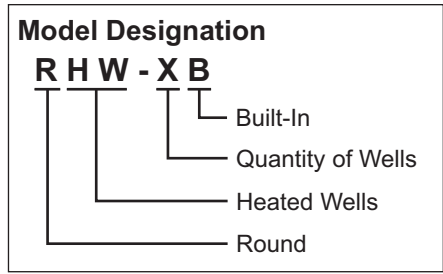
NOTE: Quantities shown as a range (example = “1–2”) are dependent upon the number of wells in a unit.

CAUTION

Use of replacement parts other than those supplied by Hatco Corporation may result in damage to the unit or injury to personnel and will void all warranties.

Hatco HEAT-MAX® Heated Wells

RHW-1B Model



IMPORTANT! — HOW TO USE THIS SECTION

This section is for RHW-1B Model built-in heated wells built before and after a manufacturing and part number change. Built-in heated wells with a manufacturing date code of 0947 and older use **Item** numbers with the “A” suffix. Built-in heated wells with a manufacturing date code of 0948 and newer use **Item** numbers with the “B” suffix. **Item** numbers that are not broken down with “A” or “B” suffixes are the same for all manufacturing date codes.

Part numbers of “N/A” indicate the item does not work with the designated unit or is no longer available.

NOTE: The last four digits in a ten digit numerical serial number are the manufacturing date code.

Example: Serial number 9625060951 has a date code of “0951” which indicates the following: 0951

Year 2009
Week Fifty-One

Parts List for RHW-1B MODELS — 230 V

Item	Description	Part No.	Qty.
1A	Lid Assembly	N/A	
1B	Lid w/Knob	04.19.1152.00	1
2	Pan, 10 liter (includes Item 1B)	R04.19.1001.00	1
3A	Heating Element, 1250 W	X02.05.595.00	1
3B	Heating Element, 1250 W	02.05.595.00	1
4	High Limit Thermostat, 240°C	02.16.132.00	1
5A	Thermal Disk	N/A	
5B	Thermal Disk	R02.16.154.00	1
6A	Screw, Mounting Bracket	X05.04.518.00	4
6B	Screw, Mounting Bracket	N/A	
7A	Mounting Bracket	X04.19.1088.00	4
7B	Mounting Bracket, Assembly (set of four)	R04.42.334.04	1
8A	Power Cord Assembly	X02.18.187.00	1

Item	Description	Part No.	Qty.
8B	Power Cord		
	AS 3112	02.18.105.00	1
	CEE 7/7 Schuko	02.18.038.00	1
	BS-1363	02.18.068.00	1
9A	Control Board	X02.01.238.00	1
9B	Control Board †	02.01.238.00	1
10	Decal, Control Panel ■	07.01.411.00	1
11A	Control Cord Assembly	X02.18.156.00	1
11B	Control Cord Assembly	02.18.293.00	1
12A	High Limit Sensor Assembly	X02.16.129.00	1
12B	High Limit Sensor and Harness Assembly	R02.18.286.00	1
13A	Box Cover	X04.19.1064.00	1
13B	Box Cover	04.42.299.00	1
A	Wiring Diagram	10-01-363	
B	Wiring Diagram	10-01-814	

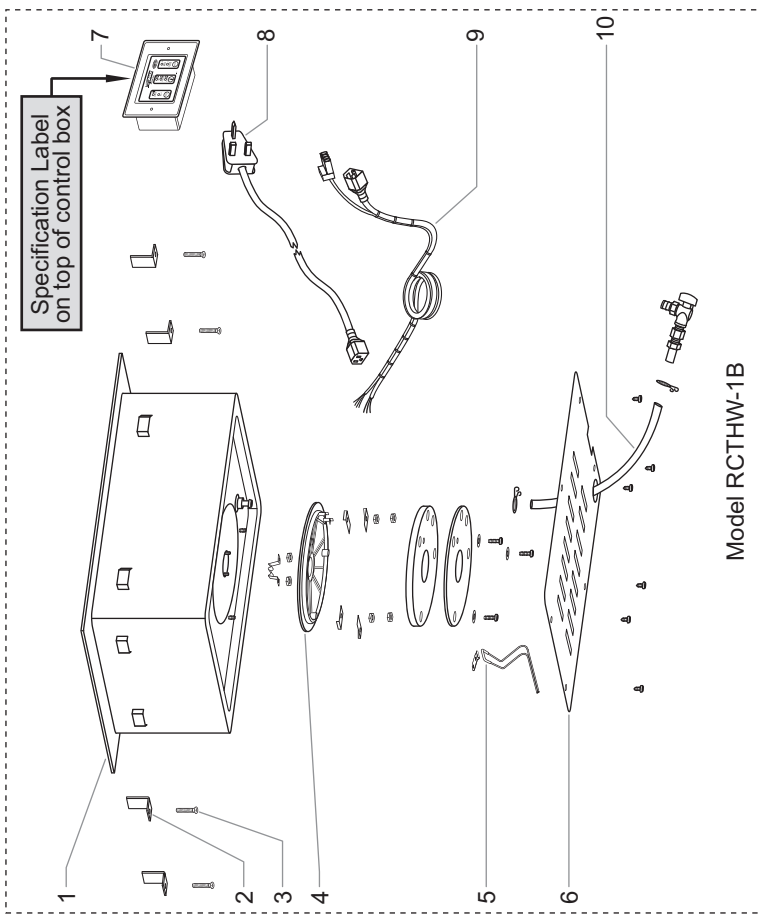
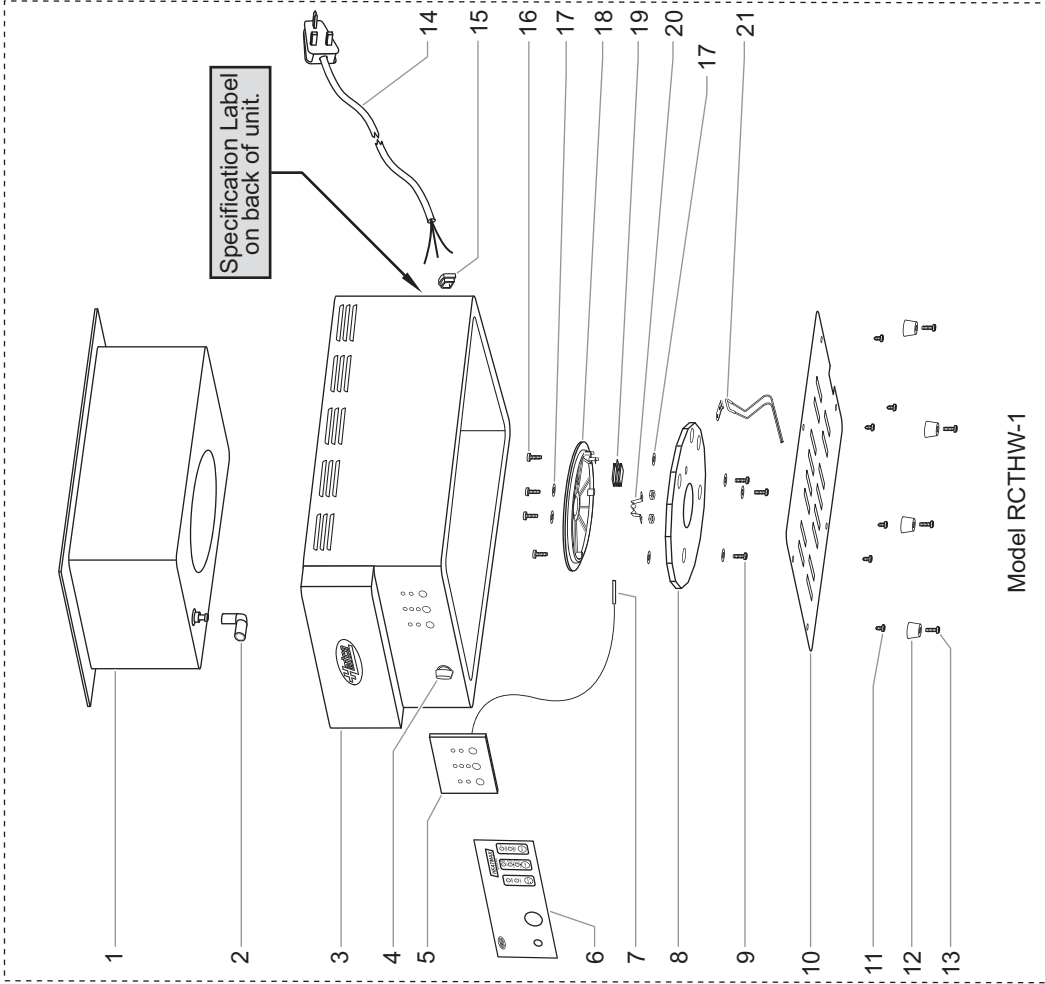
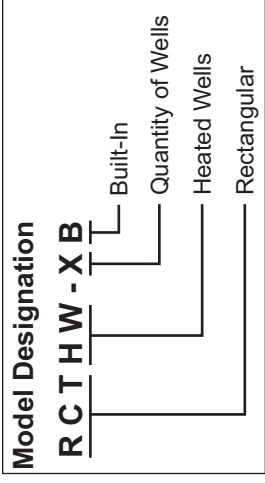
CAUTION

Use of replacement parts other than those supplied by Hatco Corporation may result in damage to the unit or injury to personnel and will void all warranties.

† Control Board (P/N 02.01.238.00) has three DIP switches. For RHW Series units, use the following settings:
1 = OFF, 2 = OFF, 3 = OFF.

■ Use decal P/N 07.01.333.00 for units with a date code of **1635** and older.

Hatco HEAT-MAX® Heated Wells
RCTHW -1 and RCTHW-1B Models (Date Code 1102 and older)



IMPORTANT NOTE!

This section is for RCTHW-1 and RCTHW-1B Model heated wells built before a manufacturing and part number change. Use this section for RCTHW-1 Series heated wells with a manufacturing date code of 1102 and older.

NOTE: The last four digits in a ten digit numerical serial number are the manufacturing date code.

Example: Serial number 9625060951 has a date code of "0951" which indicates the following: 0951

Year 2009 —┐
Week Fifty-One —┘

Parts List for RCTHW-1 Models — 220 V (Date Code 1102 and older)

Item	Description	Part No.	Qty.
1	Water Pan	X04.19.1121.00	1
2	Drain Elbow	X03.02.044.00	1
3	Enclosure	X04.19.1124.00	1
4	Drain Valve	X03.02.043.00	1
5	Control Board	X02.01.238.00	1
6	Decal, Control	X07.03.512.00	1
7	Temperature Sensor	X02.01.241.00	1
8	Insulated Panel Cover	X04.19.1123.00	1
9	Screw, Heating Element, Bottom	X05.04.523.00	3
10	Bottom Cover	X04.19.1125.00	1
11	Screw, Bottom Cover	X05.04.524.00	6
12	Supporting Leg	X05.30.094.00	4

Item	Description	Part No.	Qty.
13	Screw, Leg	X05.04.493.00	4
14	Power Cord w/ Socket	X02.18.217.00	1
15	Cord Grip	R02.20.259.00	1
16	Screw, Heating Element, Top	X05.04.522.00	4
17	Washer, Heating Element	X05.11.050.00	4
18	Heating Element, 2000 W	X02.05.608.00	1
19	High Limit Safety Switch	X02.16.133.00	1
20	Bracket, Sensor	X04.19.1122.00	1
21	High Limit Sensor and Harness Assembly	02.18.286.00	1
	Wiring Diagram	10-01-363	

Parts List For RCTHW-1B Models — 220 V (Date Code 1102 and older)

Item	Description	Part No.	Qty.
1	Enclosure	X04.19.1090.00	1
2	Mounting Bracket	X03.19.1088.00	4
3	Screw, Mounting Bracket	X05.04.518.00	4
4	Heating Element, 1250 W	X02.05.595.00	1
5	High Limit Sensor and Harness Assembly	02.18.286.00	1
6	Bottom Cover	X04.19.1092.00	1

Item	Description	Part No.	Qty.
7	Control Board	X02.01.238.00	1
8	Power Cord Assembly	X02.18.187.00	1
9	Control Cord Assembly	X02.18.170.00	1
10	Drain Hose	X03.40.019.00	1
	Wiring Diagram	10-01-364	

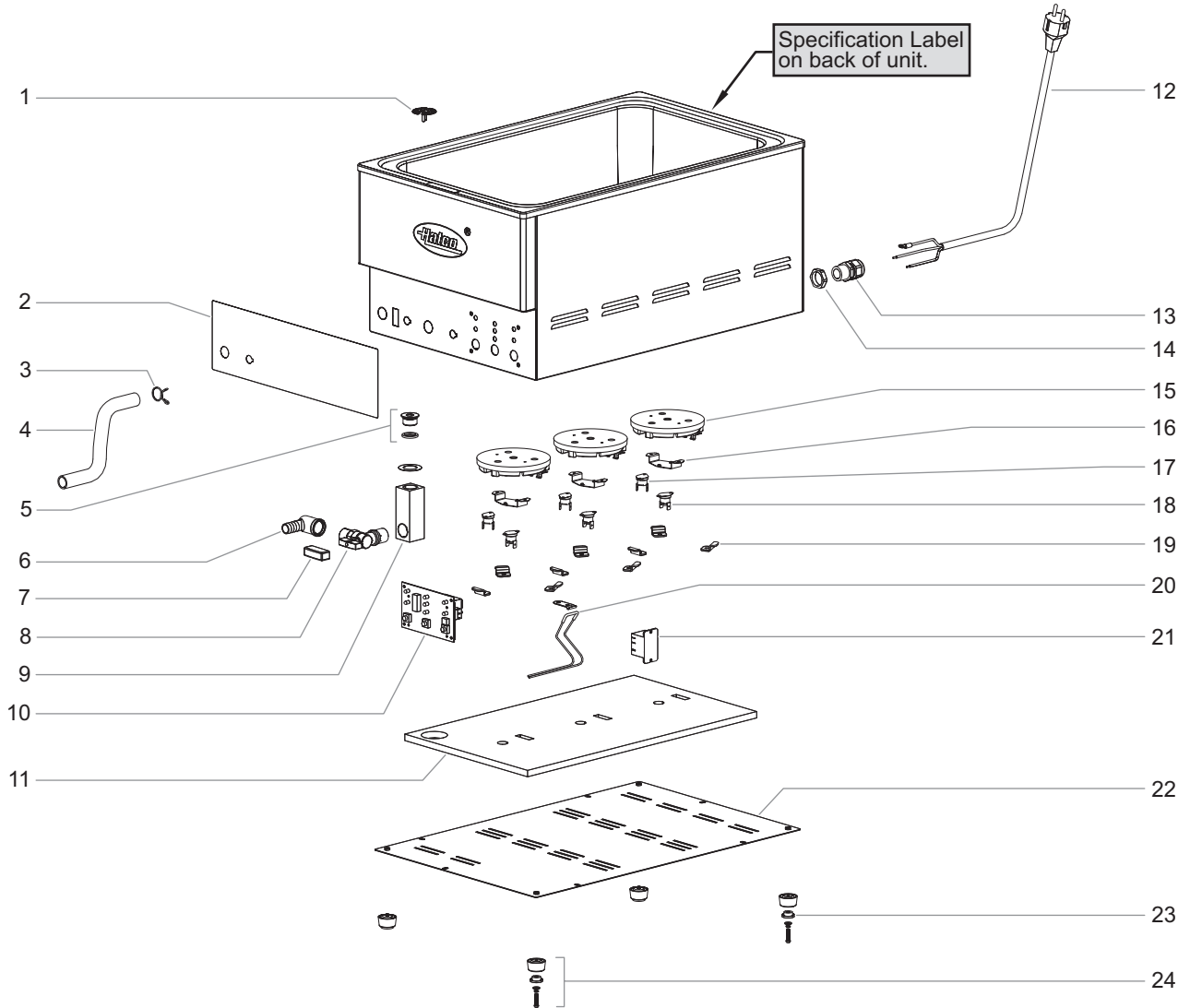
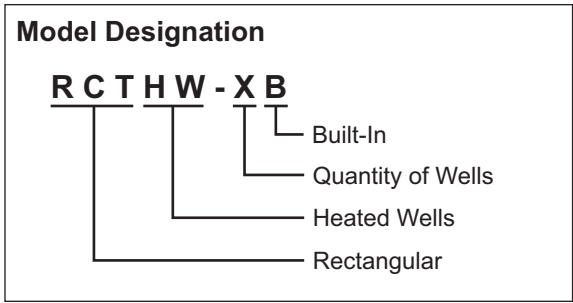


Use of replacement parts other than those supplied by Hatco Corporation may result in damage to the unit or injury to personnel and will void all warranties.

Hatco HEAT-MAX® Heated Wells
RCTHW-1 Model (Date Code 1103 and newer)

IMPORTANT NOTE!

This section is for RCTHW-1 Model heated wells built after a manufacturing and part number change. Use this section for RCTHW-1 Model heated wells with a manufacturing date code of 1103 and newer.



Parts List for RCTHW-1 Models — 230 V (Date Code 1103 and newer)

Item	Description	Part No.	Qty.
1	Strainer	04.42.468.00	1
2	Label, Control Plate	07.01.352.00	1
3	Spring Clamp	05.04.685.00	1
4	Silicone Tube *	03.40.133.00	1m
5	Drain Fitting and Washer	R03.40.130.00	1
6	Elbow Barb	03.40.138.00	2
7	Handle Cover	05.30.169.00	1
8	Faucet	03.40.127.00	1
9	Drain Fitting, S.S.	03.40.193.00	1
10	Control Board †	02.01.238.00	1
11	Insulation	R00.05.0034.00	1
12	Power Cord		
	AS 3112	02.18.105.00	1
	CEE 7/7 Schuko	02.18.038.00	1
	BS-1363	02.18.068.00	1

Item	Description	Part No.	Qty.
13	Cord Grip	R02.20.259.00	1
14	Cord Grip Nut	02.20.259A.00	1
15	Heating Element	R02.05.736.00	3
16	Bracket, Thermostat	04.42.818.00	3
17	High-Limit Thermostat	02.16.193.00	3
18	High-Limit Thermostat, Manual Reset	02.16.189.00	3
19	Bracket, Element	04.42.474.00	9
20	High Limit Sensor and Harness Assembly	02.18.286.00	1
21	Relay, 220V ‡	02.01.341.00	1
22	Cover, Bottom	04.42.415.00	1
23	Foot Cushion	05.30.149.00	4
24	Foot (includes Item 23)	R05.30.148.00	4
	Wiring Diagram	10-01-971	

* Sold per meter.

† Control Board (P/N 02.01.238.00) has three DIP switches. For RCTHW Series units, use the following settings:
1 = ON, 2 = ON, 3 = ON.

‡ Relay installed on units with date code "1412" and newer.

NOTE: The last four digits in a ten digit numerical serial number are the manufacturing date code.

Example: Serial number 9625060951 has a date code of "0951" which indicates the following: 0951

└─ Week Fifty-One
└─ Year 2009



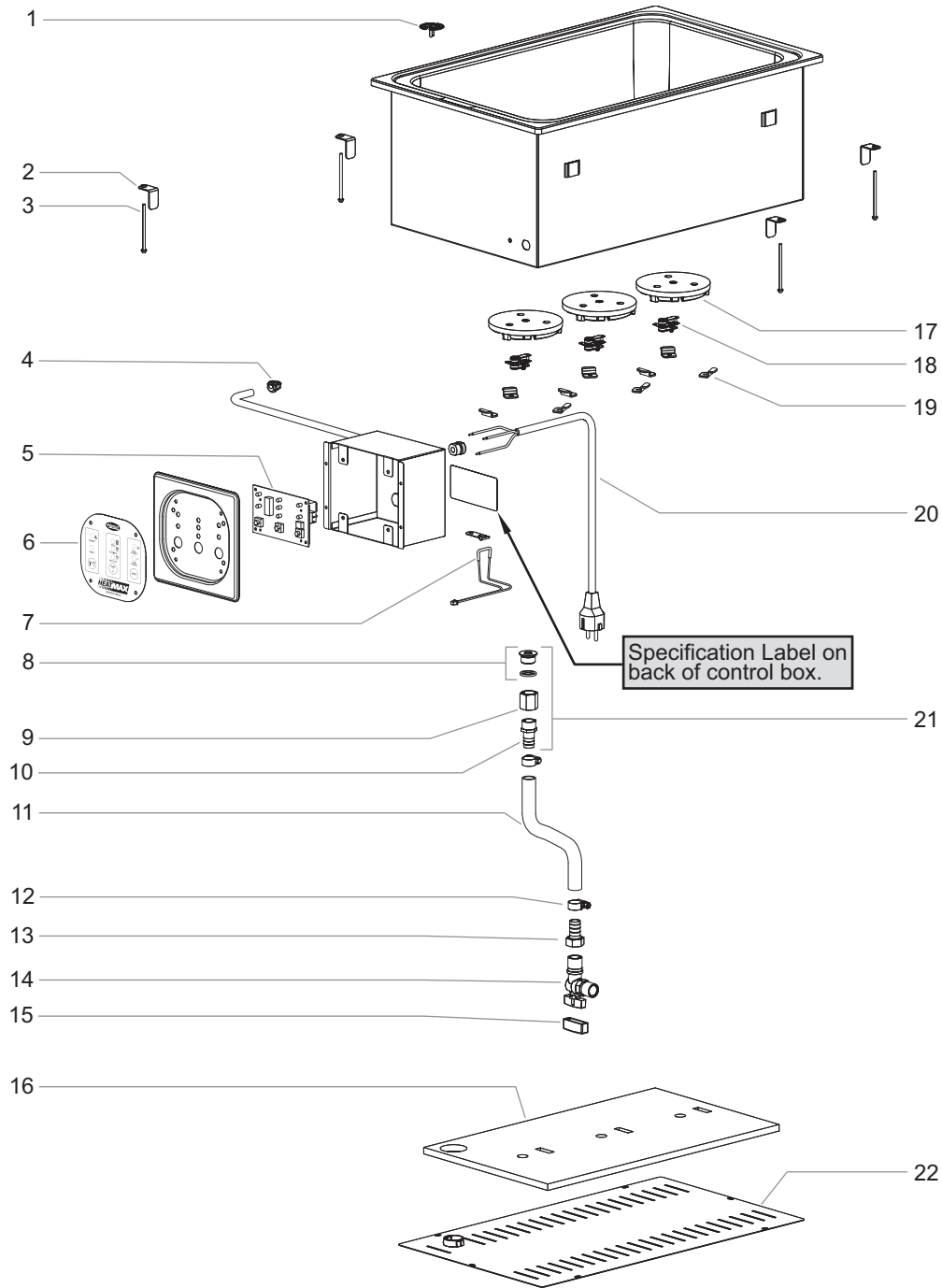
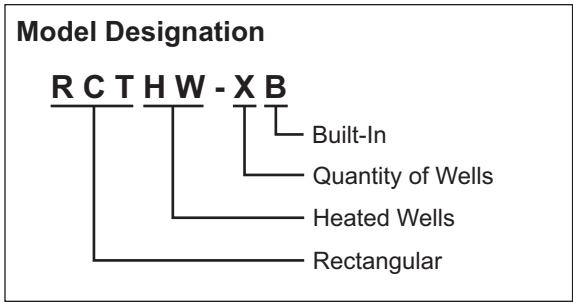
Use of replacement parts other than those supplied by Hatco Corporation may result in damage to the unit or injury to personnel and will void all warranties.

Hatco HEAT-MAX® Heated Wells

RCTHW-1B Model (Date Code 1103 and newer)

IMPORTANT NOTE!

This section is for RCTHW-1B Model heated wells built after a manufacturing and part number change. Use this section for RCTHW-1B Model heated wells with a manufacturing date code of 1103 and newer.



Parts List for RCTHW-1B Models — 230 V (Date Code 1103 and newer)

Item	Description	Part No.	Qty.
1	Strainer	04.42.468.00	1
2	Mounting Bracket	04.42.334.00	4
3	Mounting Bracket Screw	05.04.636.00	4
4	Cord Grip	02.20.406.00	2
5	Control Board †	02.01.238.00	1
6	Label, Control Plate ■	07.01.411.00	1
7	High Limit Sensor and Harness Assembly	02.18.393.00	1
8	Drain Fitting and Washer	R03.40.130.00	1
9	Coupling, 1/2"	03.40.142.00	1
10	Fitting, Male, Barb	03.40.136.00	1
11	Silicone Tube *	03.40.133.00	1m
12	Hose Clamp	05.04.697.00	1
13	Fitting, Female, Barb	03.40.139.00	1

Item	Description	Part No.	Qty.
14	Faucet	03.40.127.00	1
15	Handle Cover	05.30.169.00	1
16	Insulation	R00.05.0034.00	1
17	Heating Element	R02.05.736.00	3
18	High-Limit Thermostat	02.16.160.00	3
19	Bracket, Element	04.42.474.00	3
20	Power Cord		
	AS 3112	02.18.105.00	1
	CEE 7/7 Schuko	02.18.038.00	1
	BS-1363	02.18.068.00	1
21	Drain Fitting Assembly (includes items 8–10)	R00.03.0008.00	1
22	Cover, Bottom	04.42.461.00	1
	Wiring Diagram	10-01-976	

* Sold per meter.

† Control Board (P/N 02.01.238.00) has three DIP switches. For RCTHW Series units, use the following settings:
1 = ON, 2 = ON, 3 = ON.

■ Use decal P/N 07.01.333.00 for units with a date code of **1635** and older.

NOTE: The last four digits in a ten digit numerical serial number are the manufacturing date code.

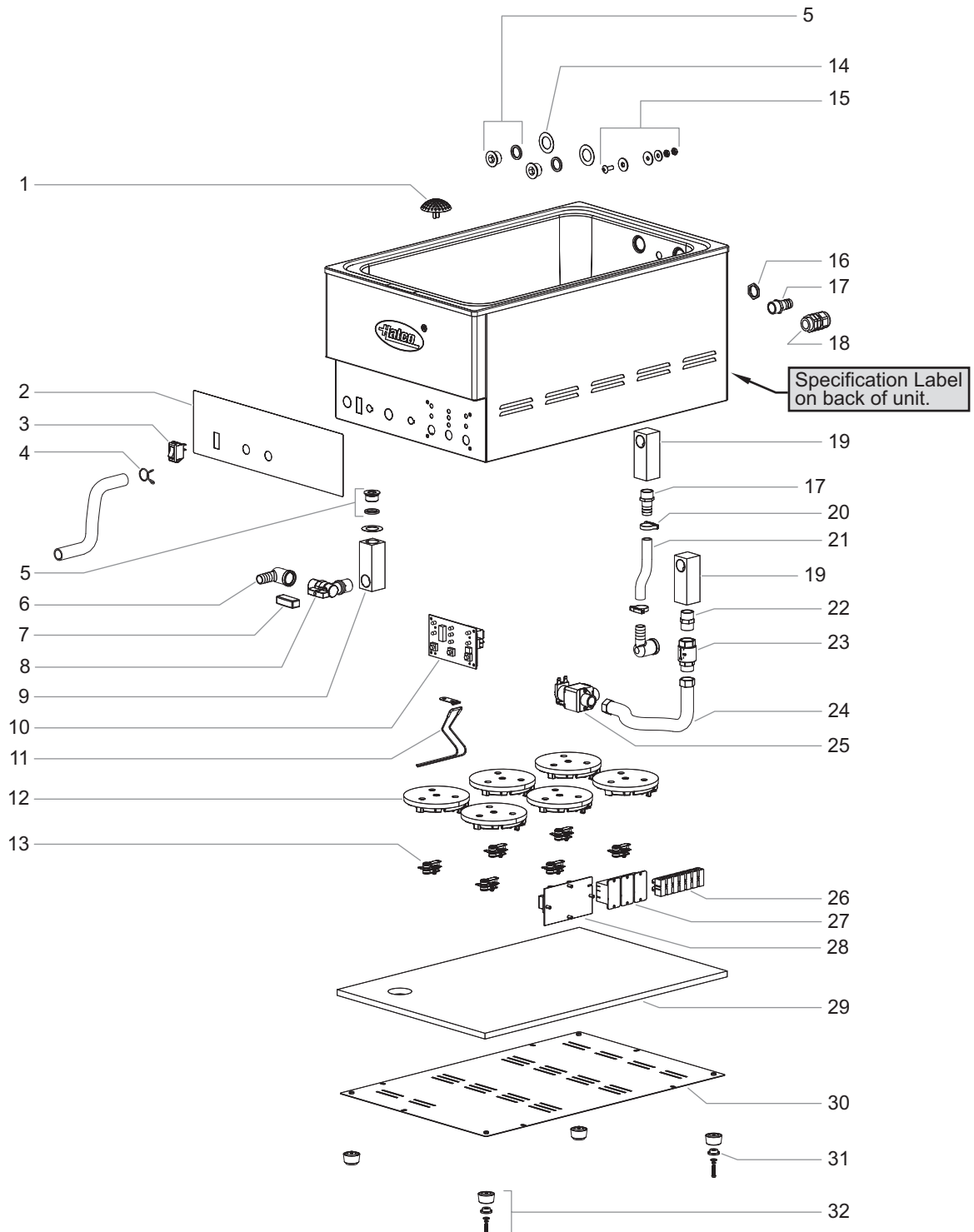
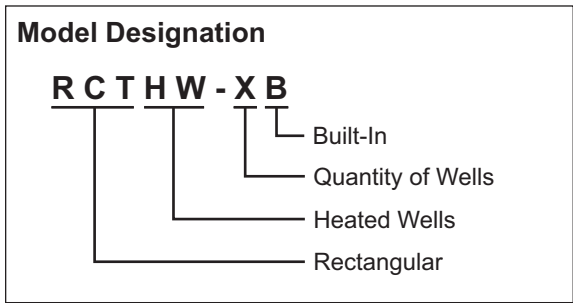
Example: Serial number 9625060951 has a date code of "0951" which indicates the following: 0951

└─ Week Fifty-One
└─ Year 2009



Use of replacement parts other than those supplied by Hatco Corporation may result in damage to the unit or injury to personnel and will void all warranties.

Hatco HEAT-MAX® Heated Wells
RCTHW-6 Model



Parts List for RCTHW-6 Models — 230 V

Item	Description	Part No.	Qty.
1	Strainer	04.42.502.00	1
2	Label, Control Plate	07.01.349.00	1
3	Power Switch	02.19.216.00	1
4	Spring Clamp	05.04.685.00	1
5	Drain Fitting and Washer	R03.40.145.00	3
6	Elbow Barb	03.40.138.00	2
7	Handle Cover	05.30.169.00	1
8	Faucet	03.40.127.00	1
9	Drain Fitting, S.S.	03.40.193.00	1
10	Control Board †	02.01.238.00	1
11	High Limit Sensor and Harness Assembly	02.18.286.00	1
12	Heating Element	R02.05.736.00	6
13	High-Limit Thermostat	02.16.160.00	6
14	Washer, Teflon, Water Probe	02.01.361.00	3
15	Sensor Screw Assembly	R05.04.750.00	1
16	Nut, Brass	05.04.731.00	1
17	Fitting, Barbed	03.40.136.00	1
18	Cord Grip	R02.20.259.00	1

Item	Description	Part No.	Qty.
19	Drain Fitting, Aluminum	03.40.129.00	2
20	Hose Clamp	05.04.738.00	2
21	Silicone Tube *	03.40.133.00	1m
22	Nipple, Male	03.01.017.00	1
23	Valve, Back-flow Preventer	03.02.083.00	1
24	Flexible Tube	03.40.150.00	1
25	Valve, Solenoid	03.02.080.00	1
26	Terminal Block	02.15.061.00	1
27	Relay, 220V	02.01.341.00	3
28	Low Water Cutoff Board	R02.01.210.00	1
29	Insulation	R00.05.0034.00	1
30	Cover, Bottom	04.42.415.00	1
31	Foot Cushion	05.30.149.00	4
32	Foot (includes Item 31)	R05.30.148.00	4
	Wiring Diagram	10-01-958	

* Sold per meter.

† Control Board (P/N 02.01.238.00) has three DIP switches. For RCTHW Series units, use the following settings:
1 = ON, 2 = ON, 3 = ON.

NOTE: The last four digits in a ten digit numerical serial number are the manufacturing date code.

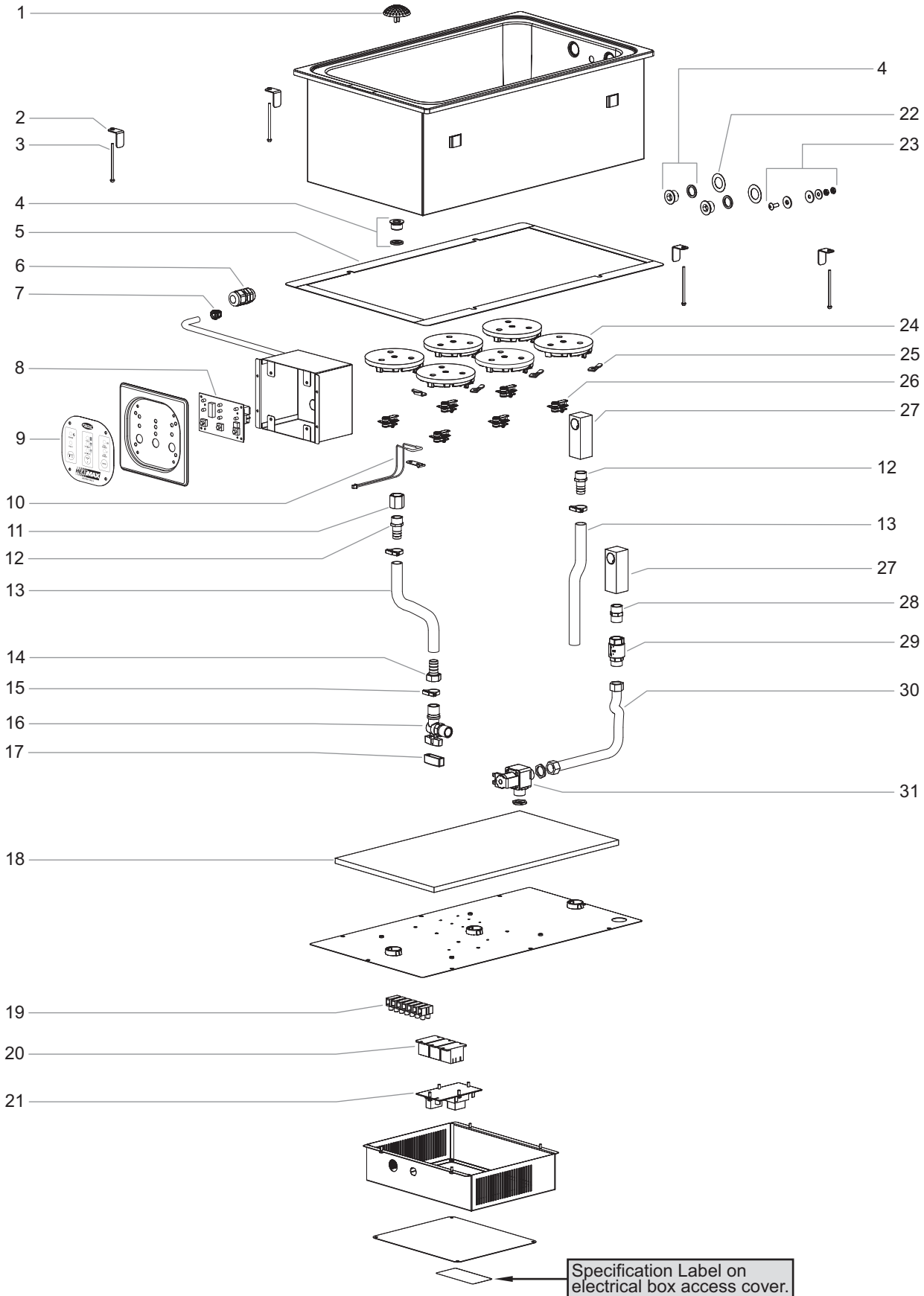
Example: Serial number 9625060951 has a date code of "0951" which indicates the following: 0951

└─ Week Fifty-One
└─ Year 2009



Use of replacement parts other than those supplied by Hatco Corporation may result in damage to the unit or injury to personnel and will void all warranties.

Hatco HEAT-MAX® Heated Wells
RCTHW-6B Model



Parts List for RCTHW-6B Models — 230 V

Item	Description	Part No.	Qty.
1	Strainer	04.42.502.00	1
2	Installation Plate	R04.42.334.00	4
3	Screw	05.04.636.00	4
4	Drain Fitting and Washer	R03.40.145.00	3
5	Mounting Plate	04.42.442.00	1
6	Cord Grip, Straight	R02.20.259.00	1
7	Cord Grip	02.20.372.00	2
8	Control Board †	02.01.238.00	1
9	Label, Control Panel ■	07.01.411.00	1
10	High Limit Sensor and Harness Assembly	02.18.393.00	1
11	Coupling, Female	03.40.142.00	1
12	Fitting, Male	03.40.136.00	1
13	Silicone Tube *	03.40.133.00	1m
14	Fitting, Female	03.40.139.00	1
15	Hose Clamp	05.04.738.00	2
16	Faucet	03.40.127.00	1
17	Handle Cover	05.30.169.00	1

Item	Description	Part No.	Qty.
18	Insulation	R00.05.0034.00	1
19	Terminal Block	02.15.061.00	1
20	Relay, 220V	02.01.341.00	3
21	Low Water Cutoff	R02.01.210.00	1
22	Washer, Teflon, Water Probe	02.01.361.00	3
23	Sensor Screw Assembly	R05.04.750.00	1
24	Heating Element	R02.05.736.00	6
25	Bracket, Element	04.42.474.00	18
26	High-Limit Thermostat	02.16.160.00	6
27	Drain Fitting, Large	03.40.129.00	2
28	Nipple, Male	03.01.017.00	1
29	Valve, Back-flow Preventer	03.02.083.00	1
30	Flexible Tube	03.40.150.00	1
31	Valve, Solenoid	03.02.080.00	1
	Wiring Diagram	10-01-1017	

* Sold per meter.

† Control Board (P/N 02.01.238.00) has three DIP switches. For RCTHW Series units, use the following settings:
1 = ON, 2 = ON, 3 = ON.

■ Use decal P/N 07.01.333.00 for units with a date code of **1635** and older.

NOTE: The last four digits in a ten digit numerical serial number are the manufacturing date code.

Example: Serial number 9625060951 has a date code of "0951" which indicates the following: 0951

└─ Week Fifty-One
└─ Year 2009



Use of replacement parts other than those supplied by Hatco Corporation may result in damage to the unit or injury to personnel and will void all warranties.

HATCO AUTHORIZED PARTS DISTRIBUTORS

United Kingdom

Marren Group
Northants +44(0)1933 666233

HATCO CORPORATION
P.O. Box 340500
Milwaukee, WI 53234-0500 U.S.A.
Telephone 414-671-6350
partsandservice@hatcocorp.com
www.hatcocorp.com

HATCO CORPORATION
ASIA HEADQUARTERS
Unit 101, Premier Center, 20 Cheung Shun Street
Cheung Sha Wan, Kowloon, H.K.
Telephone (852) 2991-4121
hongkong@hatcocorp.com