



Tables, Sinks, Shelves & Steel Fabrications

Professional Catering Equipment

DESIGNED
TO BE THE
BEST



Steel Fabrications from Parry

We are Parry. The name behind the best value professional catering equipment you can buy. This is our current range of steel fabrications which includes stainless steel tables, chefs racks, shelving, cupboards, extraction hoods, sinks and warewashing stations. We even offer a bespoke service, so if there is something you want at a specific size we can give you exactly what you need. We mean it when we say that our stainless steel fabrications are **Designed To Be The Best.**

**DESIGNED
TO BE THE
BEST**



Image for illustrative purposes only - product may vary

Flatpack Table and Cupboard

PAGE 4-8

Essential equipment for the modern mobile caterer.

Tables

PAGE 9-16

Our customers always tell us we make the best available.

Racks & Shelves

PAGE 17-24

Our Racks and Shelves make any space more practical.

Canopies

PAGE 25-27

Essential equipment for any catering environment where you want to remove steam, moisture or smoke, quickly and effectively.

Cupboards

PAGE 28-29

Counter top, wall mountable, hinged or sliding doors. Our cupboards are designed to offer the best value around.

Sinks & Taps

PAGE 30-36

Sinks are the workhorse of any catering environment, we offer them in a huge range of sizes and shapes.

Ware Washing Tables

PAGE 38-39

Designed to fit any make or model, our ware washing tables tick all the boxes.

Full Product Technical Drawings Pages 40-43



For information
about our bespoke service call
01332 875544
and talk to one of our advisors.

Bespoke Items Service

There are times in life when the standard menu item just doesn't cut the mustard. At Parry we understand the importance of getting something created just the way you want it, that fits the bill perfectly, without compromise.

At Parry we believe in offering more than just products, but a service that meets your needs exactly. Catering demands a safe, easy to clean and tidy environment regardless of whether you are working in a burger van on the A1 or the kitchens of a top flight city restaurant. Having the kit that fits the bill makes all the difference. It ensures your working environment is comfortable, reliable and above all safe for you and your staff to use.

Above is just one of many examples of bespoke equipment we have created. In all cases, our bespoke service meets customers requirements with the same professionalism you'd expect from Parry with the added benefit of the end product being tailor-made to meet your individual requirements. We can even test the engineering practicalities of a particular design and suggest design modifications that will make them work perfectly for you.



What does our bespoke team create?

Tables, Sinks, Storage Units, Shelving, Racking, Work Benches, Corner Units, Mobile Cupboards and anything else you may need. In fact, if there is anything you need that is made of steel we can generally come up with a bespoke solution to answer your needs.

Please Note:- To ensure bespoke fabricated equipment reaches its destination in serviceable condition, Parry reserve the right to employ the services of a dedicated carrier.

NEW Flatpack Table



The ultimate stainless steel mobile table



From flatpack to fully ready in under 30 seconds



1

The heavy duty 30mm stainless steel box section frames slot together with bespoke hinges



All the tools you need. Put it together with the **supplied 5mm Allen Key** and it's ready to go.



2

The heavy duty stainless steel undershelf locates in the support angles



3

The high quality stainless steel top is placed onto the frame and locks the table solidly together using a 5mm Allen Key (supplied).

Ready to use!

Call Sales now on: 01332 875544

Stainless Steel Flatpack Tables with One Undershelf

- New fast self-assembly design that takes 30 seconds to assemble
- Totally portable and idea for event catering
- Take it anywhere, use it, then pack it away
- Robust and practical design suitable for all types of applications from commercial kitchens to laboratories
- Manufactured in the uk from high quality stainless steel
- As strong as a fully welded table, the new flatpack table has been loaded up to 250kg in trials

Optional Extras

- Special Cut Outs (specify location)
To fit Round Pipe and Pillars £160
- Fitted Standard Rubber Scrap Ring £60
- Standard Side Panels Left or Right £96
- Extra Upstand
(specify left or righthand) per table £53
- Special Chamfers £124
- Castors 50mm £75
- Castors 75mm £95
- Castors 100mm £135



Image for illustrative purposes only - product may vary.



FREE DELIVERY on
Self Assembly Unit

500mm	(WxDxH)mm	Centre £	Wall £
FTAB05500	500 x 500 x 900	£255	£267
FTAB06500	600 x 500 x 900	£255	£267
FTAB07500	700 x 500 x 900	£255	£267
FTAB08500	800 x 500 x 900	£255	£267
FTAB09500	900 x 500 x 900	£255	£267
FTAB10500	1000 x 500 x 900	£290	£303
FTAB11500	1100 x 500 x 900	£290	£303
FTAB12500	1200 x 500 x 900	£294	£309
FTAB13500	1300 x 500 x 900	£307	£321
FTAB14500	1400 x 500 x 900	£318	£334
FTAB15500	1500 x 500 x 900	£324	£339
FTAB16500	1600 x 500 x 900	£330	£345
FTAB17500	1700 x 500 x 900	£336	£353
FTAB18500	1800 x 500 x 900	£347	£362

600mm	(WxDxH)mm	Centre £	Wall £
FTAB05600	500 x 600 x 900	£255	£267
FTAB06600	600 x 600 x 900	£255	£267
FTAB07600	700 x 600 x 900	£255	£267
FTAB08600	800 x 600 x 900	£255	£267
FTAB09600	900 x 600 x 900	£255	£267
FTAB10600	1000 x 600 x 900	£293	£308
FTAB11600	1100 x 600 x 900	£293	£308
FTAB12600	1200 x 600 x 900	£294	£309
FTAB13600	1300 x 600 x 900	£301	£315
FTAB14600	1400 x 600 x 900	£318	£334
FTAB15600	1500 x 600 x 900	£331	£347
FTAB16600	1600 x 600 x 900	£347	£362
FTAB17600	1700 x 600 x 900	£350	£366
FTAB18600	1800 x 600 x 900	£355	£372

650mm	(WxDxH)mm	Centre £	Wall £
FTAB05650	500 x 650 x 900	£267	£279
FTAB06650	600 x 650 x 900	£267	£279
FTAB07650	700 x 650 x 900	£267	£279
FTAB08650	800 x 650 x 900	£267	£279
FTAB09650	900 x 650 x 900	£267	£279
FTAB10650	1000 x 650 x 900	£300	£314
FTAB11650	1100 x 650 x 900	£300	£314
FTAB12650	1200 x 650 x 900	£303	£318
FTAB13650	1300 x 650 x 900	£348	£364
FTAB14650	1400 x 650 x 900	£371	£389
FTAB15650	1500 x 650 x 900	£400	£419
FTAB16650	1600 x 650 x 900	£417	£437
FTAB17650	1700 x 650 x 900	£428	£449
FTAB18650	1800 x 650 x 900	£441	£462

700mm	(WxDxH)mm	Centre £	Wall £
FTAB05700	500 x 700 x 900	£288	£301
FTAB06700	600 x 700 x 900	£288	£301
FTAB07700	700 x 700 x 900	£288	£301
FTAB08700	800 x 700 x 900	£288	£301
FTAB09700	900 x 700 x 900	£288	£301
FTAB10700	1000 x 700 x 900	£308	£321
FTAB11700	1100 x 700 x 900	£308	£321
FTAB12700	1200 x 700 x 900	£311	£326
FTAB13700	1300 x 700 x 900	£428	£449
FTAB14700	1400 x 700 x 900	£440	£461
FTAB15700	1500 x 700 x 900	£449	£471
FTAB16700	1600 x 700 x 900	£455	£476
FTAB17700	1700 x 700 x 900	£458	£480
FTAB18700	1800 x 700 x 900	£462	£484

800mm	(WxDxH)mm	Centre £	Wall £
FTAB05800	500 x 800 x 900	£301	£315
FTAB06800	600 x 800 x 900	£301	£315
FTAB07800	700 x 800 x 900	£301	£315
FTAB08800	800 x 800 x 900	£301	£315
FTAB09800	900 x 800 x 900	£301	£315
FTAB10800	1000 x 800 x 900	£376	£394
FTAB11800	1100 x 800 x 900	£376	£394
FTAB12800	1200 x 800 x 900	£389	£406
FTAB13800	1300 x 800 x 900	£435	£455
FTAB14800	1400 x 800 x 900	£445	£466
FTAB15800	1500 x 800 x 900	£463	£485
FTAB16800	1600 x 800 x 900	£532	£558
FTAB17800	1700 x 800 x 900	£515	£570
FTAB18800	1800 x 800 x 900	£555	£582

NEW Flatpack Cupboard



From flatpack to fully ready in under 5 minutes



The ultimate flatpack stainless steel mobile cupboard

1

Designed as an easily transportable flatpack to give flexibility, mobility and space saving storage.



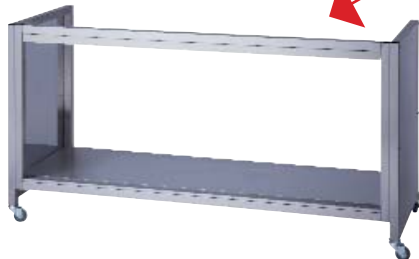
2

The heavy duty 30mm stainless steel box section frames slot together with bespoke hinges.



3

The heavy duty stainless steel undershelf locates in the support angles.



4

The stainless steel rear panel is fixed in place with a 5mm Allen Key.



5

The high quality stainless steel door panels slot into position, no tools required



6

The high quality stainless steel top is placed onto the cupboard and locks the table solidly together using a 5mm Allen Key (supplied).



Ready to use!



All the tools you need. Put it together with the **supplied 5mm Allen Key** and it's ready to go.

Call Sales now on: 01332 875544

Stainless Steel Flatpack Cupboard

- New fast self-assembly design that takes under 5 minutes to assemble
- Totally portable and ideal for event catering
- Take it anywhere, use it, then pack it away
- Robust and practical design suitable for all types of applications from commercial kitchens to laboratories
- Manufactured in the uk from high quality stainless steel
- As strong as a fully welded cupboard, the new flatpack cupboard has been loaded up to 250kg in trials

Optional Extras

- Castors 50mm £75
- Castors 75mm £95
- Castors 100mm £135



Image for illustrative purposes only - shown with optional castors.



FREE DELIVERY on Self Assembly Unit

500mm	(WxDxH)mm	Price
FCUP12500	1200 x 500 x 900	£925
FCUP15500	1500 x 500 x 900	£1,040
FCUP18500	1800 x 500 x 900	£1,445

600mm	(WxDxH)mm	Price
FCUP12600	1200 x 600 x 900	£950
FCUP15600	1500 x 600 x 900	£1,070
FCUP18600	1800 x 600 x 900	£1,485

650mm	(WxDxH)mm	Price
FCUP12650	1200 x 650 x 900	£960
FCUP15650	1500 x 650 x 900	£1,080
FCUP18650	1800 x 650 x 900	£1,500

700mm	(WxDxH)mm	Price
FCUP12700	1200 x 700 x 900	£985
FCUP15700	1500 x 700 x 900	£1,110
FCUP18700	1800 x 700 x 900	£1,540

800mm	(WxDxH)mm	Price
FCUP12800	1200 x 800 x 900	£1,230
FCUP15800	1500 x 800 x 900	£1,380
FCUP18800	1800 x 800 x 900	£1,920

Other sizes are available - call sales on 01332 875544 to talk to our bespoke team

NEW Flatpack Pass Through Cupboard



From flatpack
to fully ready in
under 5 minutes



The ultimate flatpack stainless steel
pass through mobile cupboard



Image for illustrative purposes only.



FREE DELIVERY on
Self Assembly Unit

500mm	(WxDxH)mm	Price
FCUPP12500	1200 x 500 x 900	£1,100
FCUPP15500	1500 x 500 x 900	£1,260
FCUPP18500	1800 x 500 x 900	£1,570

600mm	(WxDxH)mm	Price
FCUPP12600	1200 x 600 x 900	£1,130
FCUPP15600	1500 x 600 x 900	£1,295
FCUPP18600	1800 x 600 x 900	£1,610

650mm	(WxDxH)mm	Price
FCUPP12650	1200 x 650 x 900	£1,145
FCUPP15650	1500 x 650 x 900	£1,310
FCUPP18650	1800 x 650 x 900	£1,630

700mm	(WxDxH)mm	Price
FCUPP12700	1200 x 700 x 900	£1,175
FCUPP15700	1500 x 700 x 900	£1,345
FCUPP18700	1800 x 700 x 900	£1,670

800mm	(WxDxH)mm	Price
FCUPP12800	1200 x 800 x 900	£1,465
FCUPP15800	1500 x 800 x 900	£1,675
FCUPP18800	1800 x 800 x 900	£2,090

Optional Extras

- Castors 50mm £75
- Castors 75mm £95
- Castors 100mm £135

Stainless Steel Tables with One Undershef

- Tables - One Under Shelf
- Tops made from high quality stainless steel
- Wall benches have a rear upstand
- Legs built from 30mm box section
- Welded Frame
- Larger sizes available

£POA

Optional Extras

- Special Cut Outs (specify location)
 - To fit Round Pipe and Pillars £160
- Fitted Standard Rubber Scrap Ring £60
- Standard Side Panels Left or Right £96
- Factory Fitted Sliding Doors per mtr £347
- Extra Strengthening per mtr £42
- Foot Rest or Tie Bar £47
- Extra Upstand (specify left or righthand) per table £53
- Drawers for Table
 - Single Drawer 390x550x115mm £142
- Special Chamfers £124
- Castors 50mm £75
- Castors 75mm £95
- Castors 100mm £135



Image for illustrative purposes only - product may vary. See page 40 for technical drawing.



Valance Options

- Up to 1000x200mm stainless steel valance £55
- Up to 1200x200mm stainless steel valance £62
- Up to 1500x200mm stainless steel valance £72
- Up to 1800x200mm stainless steel valance £97
- Up to 2300x200mm stainless steel valance £115



Delivery charge for Fully Assembled units = £20

500mm	(WxDxH)mm	Centre £	Wall £
TAB05500	500 x 500 x 900	£255	£267
TAB06500	600 x 500 x 900	£255	£267
TAB07500	700 x 500 x 900	£255	£267
TAB08500	800 x 500 x 900	£255	£267
TAB09500	900 x 500 x 900	£255	£267
TAB10500	1000 x 500 x 900	£290	£303
TAB11500	1100 x 500 x 900	£290	£303
TAB12500	1200 x 500 x 900	£294	£309
TAB13500	1300 x 500 x 900	£307	£321
TAB14500	1400 x 500 x 900	£318	£334
TAB15500	1500 x 500 x 900	£324	£339
TAB16500	1600 x 500 x 900	£330	£345
TAB17500	1700 x 500 x 900	£336	£353
TAB18500	1800 x 500 x 900	£347	£362
TAB19500	1900 x 500 x 900	£353	£425
TAB20500	2000 x 500 x 900	£484	£507
TAB21500	2100 x 500 x 900	£545	£571
TAB22500	2200 x 500 x 900	£551	£577
TAB23500	2300 x 500 x 900	£556	£583

600mm	(WxDxH)mm	Centre £	Wall £
TAB05600	500 x 600 x 900	£255	£267
TAB06600	600 x 600 x 900	£255	£267
TAB07600	700 x 600 x 900	£255	£267
TAB08600	800 x 600 x 900	£255	£267
TAB09600	900 x 600 x 900	£255	£267
TAB10600	1000 x 600 x 900	£293	£308
TAB11600	1100 x 600 x 900	£293	£308
TAB12600	1200 x 600 x 900	£294	£309
TAB13600	1300 x 600 x 900	£301	£315
TAB14600	1400 x 600 x 900	£318	£334
TAB15600	1500 x 600 x 900	£331	£347
TAB16600	1600 x 600 x 900	£347	£362
TAB17600	1700 x 600 x 900	£350	£366
TAB18600	1800 x 600 x 900	£355	£372
TAB19600	1900 x 600 x 900	£412	£431
TAB20600	2000 x 600 x 900	£509	£533
TAB21600	2100 x 600 x 900	£584	£612
TAB22600	2200 x 600 x 900	£596	£624
TAB23600	2300 x 600 x 900	£601	£630

650mm	(WxDxH)mm	Centre £	Wall £
TAB05650	500 x 650 x 900	£267	£279
TAB06650	600 x 650 x 900	£267	£279
TAB07650	700 x 650 x 900	£267	£279
TAB08650	800 x 650 x 900	£267	£279
TAB09650	900 x 650 x 900	£267	£279
TAB10650	1000 x 650 x 900	£300	£314
TAB11650	1100 x 650 x 900	£300	£314
TAB12650	1200 x 650 x 900	£303	£318
TAB13650	1300 x 650 x 900	£348	£364
TAB14650	1400 x 650 x 900	£371	£389
TAB15650	1500 x 650 x 900	£400	£419
TAB16650	1600 x 650 x 900	£417	£437
TAB17650	1700 x 650 x 900	£428	£449
TAB18650	1800 x 650 x 900	£441	£462
TAB19650	1900 x 650 x 900	£486	£509
TAB20650	2000 x 650 x 900	£545	£671
TAB21650	2100 x 650 x 900	£590	£617
TAB22650	2200 x 650 x 900	£596	£624
TAB23650	2300 x 650 x 900	£606	£635

700mm	(WxDxH)mm	Centre £	Wall £
TAB05700	500 x 700 x 900	£288	£301
TAB06700	600 x 700 x 900	£288	£301
TAB07700	700 x 700 x 900	£288	£301
TAB08700	800 x 700 x 900	£288	£301
TAB09700	900 x 700 x 900	£288	£301
TAB10700	1000 x 700 x 900	£308	£321
TAB11700	1100 x 700 x 900	£308	£321
TAB12700	1200 x 700 x 900	£311	£326
TAB13700	1300 x 700 x 900	£428	£449
TAB14700	1400 x 700 x 900	£440	£461
TAB15700	1500 x 700 x 900	£449	£471
TAB16700	1600 x 700 x 900	£455	£476
TAB17700	1700 x 700 x 900	£458	£480
TAB18700	1800 x 700 x 900	£462	£484
TAB19700	1900 x 700 x 900	£561	£588
TAB20700	2000 x 700 x 900	£581	£609
TAB21700	2100 x 700 x 900	£600	£629
TAB22700	2200 x 700 x 900	£604	£633
TAB23700	2300 x 700 x 900	£611	£641

800mm	(WxDxH)mm	Centre £	Wall £
TAB05800	500 x 800 x 900	£301	£315
TAB06800	600 x 800 x 900	£301	£315
TAB07800	700 x 800 x 900	£301	£315
TAB08800	800 x 800 x 900	£301	£315
TAB09800	900 x 800 x 900	£301	£315
TAB10800	1000 x 800 x 900	£376	£394
TAB11800	1100 x 800 x 900	£376	£394
TAB12800	1200 x 800 x 900	£389	£406
TAB13800	1300 x 800 x 900	£435	£455
TAB14800	1400 x 800 x 900	£445	£466
TAB15800	1500 x 800 x 900	£463	£485
TAB16800	1600 x 800 x 900	£532	£558
TAB17800	1700 x 800 x 900	£515	£570
TAB18800	1800 x 800 x 900	£555	£582
TAB19800	1900 x 800 x 900	£585	£612
TAB20800	2000 x 800 x 900	£666	£698
TAB21800	2100 x 800 x 900	£666	£698
TAB22800	2200 x 800 x 900	£678	£710
TAB23800	2300 x 800 x 900	£702	£735

Stainless Steel Tables with Two Undershelves

- Tables - Two Undershelves
- Tops Made From High Quality stainless steel
- Available as self assembly or assembled
- Can have an upstand for wall benches just specify a rear upstand
- Legs built from 30mm box section
- Welded frame
- Larger sizes available

EPOA

Optional Extras

- Special Cut Outs (specify location)
To fit Round Pipe and Pillars £160
- Fitted Standard Rubber Scrap Ring £60
- Standard Side Panels Left or Right £96
- Factory Fitted Sliding Doors per mtr £347
- Extra Strengthening per mtr £42
- Foot Rest or Tie Bar £47
- Extra Upstand
(specify left or righthand) per table £53
- Drawers for Table
Single Drawer 390x550x115mm £142
- Special Chamfers £124
- Castors 50mm £75
- Castors 75mm £95
- Castors 100mm £135

Valance Options

- Up to 1000x200mm stainless steel valance £55
- Up to 1200x200mm stainless steel valance £62
- Up to 1500x200mm stainless steel valance £72
- Up to 1800x200mm stainless steel valance £97
- Up to 2300x200mm stainless steel valance £115



Delivery charge for Fully Assembled units = £20

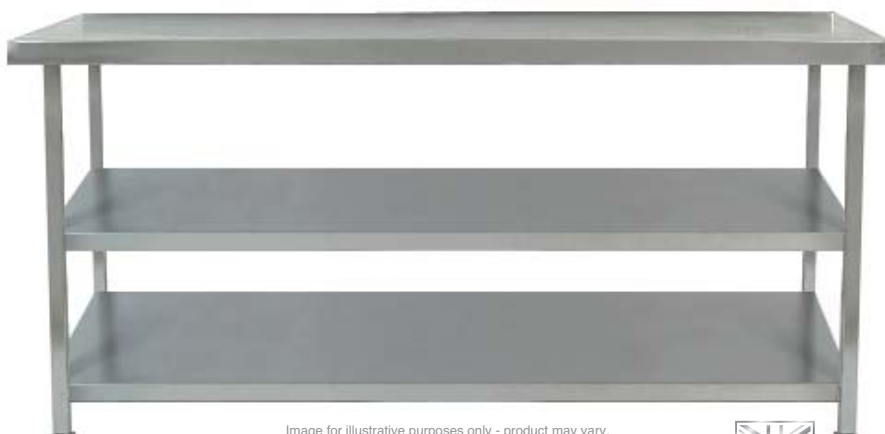


Image for illustrative purposes only - product may vary.
See page 40 for technical drawing.



500mm	(WxDxH)mm	Centre £	Wall £
TAB05500/2	500 x 500 x 900	£326	£341
TAB06500/2	600 x 500 x 900	£326	£341
TAB07500/2	700 x 500 x 900	£334	£350
TAB08500/2	800 x 500 x 900	£334	£350
TAB09500/2	900 x 500 x 900	£334	£350
TAB10500/2	1000 x 500 x 900	£380	£399
TAB11500/2	1100 x 500 x 900	£380	£399
TAB12500/2	1200 x 500 x 900	£386	£404
TAB13500/2	1300 x 500 x 900	£410	£428
TAB14500/2	1400 x 500 x 900	£420	£440
TAB15500/2	1500 x 500 x 900	£425	£446
TAB16500/2	1600 x 500 x 900	£443	£464
TAB17500/2	1700 x 500 x 900	£448	£470
TAB18500/2	1800 x 500 x 900	£460	£482
TAB19500/2	1900 x 500 x 900	£538	£564
TAB20500/2	2000 x 500 x 900	£599	£626
TAB21500/2	2100 x 500 x 900	£659	£690
TAB22500/2	2200 x 500 x 900	£665	£697
TAB23500/2	2300 x 500 x 900	£671	£703

600mm	(WxDxH)mm	Centre £	Wall £
TAB05600/2	500 x 600 x 900	£326	£341
TAB06600/2	600 x 600 x 900	£326	£341
TAB07600/2	700 x 600 x 900	£334	£350
TAB08600/2	800 x 600 x 900	£334	£350
TAB09600/2	900 x 600 x 900	£334	£350
TAB10600/2	1000 x 600 x 900	£384	£403
TAB11600/2	1100 x 600 x 900	£384	£403
TAB12600/2	1200 x 600 x 900	£386	£406
TAB13600/2	1300 x 600 x 900	£402	£422
TAB14600/2	1400 x 600 x 900	£420	£440
TAB15600/2	1500 x 600 x 900	£434	£454
TAB16600/2	1600 x 600 x 900	£460	£482
TAB17600/2	1700 x 600 x 900	£463	£485
TAB18600/2	1800 x 600 x 900	£468	£491
TAB19600/2	1900 x 600 x 900	£545	£570
TAB20600/2	2000 x 600 x 900	£622	£652
TAB21600/2	2100 x 600 x 900	£698	£732
TAB22600/2	2200 x 600 x 900	£707	£742
TAB23600/2	2300 x 600 x 900	£716	£750

650mm	(WxDxH)mm	Centre £	Wall £
TAB05650/2	500 x 650 x 900	£337	£354
TAB06650/2	600 x 650 x 900	£337	£354
TAB07650/2	700 x 650 x 900	£347	£362
TAB08650/2	800 x 650 x 900	£347	£362
TAB09650/2	900 x 650 x 900	£347	£362
TAB10650/2	1000 x 650 x 900	£392	£411
TAB11650/2	1100 x 650 x 900	£392	£411
TAB12650/2	1200 x 650 x 900	£395	£414
TAB13650/2	1300 x 650 x 900	£448	£470
TAB14650/2	1400 x 650 x 900	£471	£495
TAB15650/2	1500 x 650 x 900	£503	£527
TAB16650/2	1600 x 650 x 900	£530	£555
TAB17650/2	1700 x 650 x 900	£542	£567
TAB18650/2	1800 x 650 x 900	£554	£581
TAB19650/2	1900 x 650 x 900	£620	£649
TAB20650/2	2000 x 650 x 900	£659	£659
TAB21650/2	2100 x 650 x 900	£703	£736
TAB22650/2	2200 x 650 x 900	£707	£742
TAB23650/2	2300 x 650 x 900	£719	£753

700mm	(WxDxH)mm	Centre £	Wall £
TAB05700/2	500 x 700 x 900	£359	£377
TAB06700/2	600 x 700 x 900	£359	£377
TAB07700/2	700 x 700 x 900	£369	£385
TAB08700/2	800 x 700 x 900	£369	£385
TAB09700/2	900 x 700 x 900	£369	£385
TAB10700/2	1000 x 700 x 900	£398	£417
TAB11700/2	1100 x 700 x 900	£398	£417
TAB12700/2	1200 x 700 x 900	£402	£422
TAB13700/2	1300 x 700 x 900	£530	£555
TAB14700/2	1400 x 700 x 900	£542	£567
TAB15700/2	1500 x 700 x 900	£552	£579
TAB16700/2	1600 x 700 x 900	£568	£595
TAB17700/2	1700 x 700 x 900	£571	£599
TAB18700/2	1800 x 700 x 900	£575	£603
TAB19700/2	1900 x 700 x 900	£695	£728
TAB20700/2	2000 x 700 x 900	£696	£729
TAB21700/2	2100 x 700 x 900	£715	£749
TAB22700/2	2200 x 700 x 900	£718	£752
TAB23700/2	2300 x 700 x 900	£725	£761

800mm	(WxDxH)mm	Centre £	Wall £
TAB05800/2	500 x 800 x 900	£372	£390
TAB06800/2	600 x 800 x 900	£372	£390
TAB07800/2	700 x 800 x 900	£380	£399
TAB08800/2	800 x 800 x 900	£380	£399
TAB09800/2	900 x 800 x 900	£380	£399
TAB10800/2	1000 x 800 x 900	£467	£489
TAB11800/2	1100 x 800 x 900	£467	£489
TAB12800/2	1200 x 800 x 900	£467	£489
TAB13800/2	1300 x 800 x 900	£536	£562
TAB14800/2	1400 x 800 x 900	£548	£574
TAB15800/2	1500 x 800 x 900	£565	£591
TAB16800/2	1600 x 800 x 900	£646	£677
TAB17800/2	1700 x 800 x 900	£657	£689
TAB18800/2	1800 x 800 x 900	£667	£701
TAB19800/2	1900 x 800 x 900	£718	£752
TAB20800/2	2000 x 800 x 900	£779	£817
TAB21800/2	2100 x 800 x 900	£779	£817
TAB22800/2	2200 x 800 x 900	£792	£830
TAB23800/2	2300 x 800 x 900	£816	£855

Stainless Steel Low Table

- Low tables specially designed giving a standard price for various height work tables or platforms for mounting fryers, griddles and many other appliances.
- Tops made from high quality stainless steel
- Available at 500mm high at the same price
- Legs built from 30mm box section
- Welded frame
- Larger sizes available

EPOA



Image for illustrative purposes only - product may vary.
See page 40 for technical drawing.

Optional Extras

- Special Cut Outs (specify location)
To fit Round Pipe and Pillars £160
- Additional foot rest available for £75
- Fitted Standard Rubber Scrap Ring £60
- Standard Side Panels Left or Right £96
- Factory Fitted Sliding Doors per mtr £347
- Extra Strengthening per mtr £42
- Foot Rest or Tie Bar £47
- Extra Upstand
(specify left or righthand) per table £53
- Drawers for Table
Single Drawer 390x550x115mm £142
- Undershelf EPOA
- Special Chamfers £124
- Castors 50mm £75
- Castors 75mm £95
- Castors 100mm £135



Valance Options

- Up to 1000x200mm stainless steel valance £55
- Up to 1200x200mm stainless steel valance £62
- Up to 1500x200mm stainless steel valance £72
- Up to 1800x200mm stainless steel valance £97
- Up to 2300x200mm stainless steel valance £115

500mm	(WxDxH)mm	Centre £	Wall £
LTAB05500	500 x 500 x 600	£183	£203
LTAB06500	600 x 500 x 600	£183	£203
LTAB07500	700 x 500 x 600	£183	£203
LTAB08500	800 x 500 x 600	£183	£203
LTAB09500	900 x 500 x 600	£183	£203
LTAB10500	1000 x 500 x 600	£196	£206
LTAB11500	1100 x 500 x 600	£196	£206
LTAB12500	1200 x 500 x 600	£201	£221
LTAB13500	1300 x 500 x 600	£203	£223
LTAB14500	1400 x 500 x 600	£216	£236
LTAB15500	1500 x 500 x 600	£222	£242
LTAB16500	1600 x 500 x 600	£222	£242
LTAB17500	1700 x 500 x 600	£222	£242
LTAB18500	1800 x 500 x 600	£233	£253
LTAB19500	1900 x 500 x 600	£274	£294
LTAB20500	2300 x 500 x 600	£378	£398

600mm	(WxDxH)mm	Centre £	Wall £
LTAB05600	500 x 600 x 600	£183	£203
LTAB06600	600 x 600 x 600	£183	£203
LTAB07600	700 x 600 x 600	£183	£203
LTAB08600	800 x 600 x 600	£183	£203
LTAB09600	900 x 600 x 600	£183	£203
LTAB10600	1000 x 600 x 600	£200	£220
LTAB11600	1100 x 600 x 600	£200	£220
LTAB12600	1200 x 600 x 600	£201	£221
LTAB13600	1300 x 600 x 600	£201	£221
LTAB14600	1400 x 600 x 600	£227	£247
LTAB15600	1500 x 600 x 600	£229	£249
LTAB16600	1600 x 600 x 600	£233	£253
LTAB17600	1700 x 600 x 600	£237	£257
LTAB18600	1800 x 600 x 600	£243	£263
LTAB19600	1900 x 600 x 600	£280	£300
LTAB20600	2000 x 600 x 600	£403	£423



Delivery charge for Fully Assembled units = £20

700mm	(WxDxH)mm	Centre £	Wall £
LTAB05700	500 x 700 x 600	£217	£237
LTAB06700	600 x 700 x 600	£217	£237
LTAB07700	700 x 700 x 600	£217	£237
LTAB08700	800 x 700 x 600	£217	£237
LTAB09700	900 x 700 x 600	£217	£237
LTAB10700	1000 x 700 x 600	£218	£238
LTAB11700	1100 x 700 x 600	£218	£238
LTAB12700	1200 x 700 x 600	£219	£239
LTAB13700	1300 x 700 x 600	£232	£352
LTAB14700	1400 x 700 x 600	£328	£358
LTAB15700	1500 x 700 x 600	£355	£375
LTAB16700	1600 x 700 x 600	£355	£375
LTAB17700	1700 x 700 x 600	£355	£375
LTAB18700	1800 x 700 x 600	£355	£375
LTAB19700	1900 x 700 x 600	£375	£395
LTAB20700	2300 x 700 x 600	£481	£501

800mm	(WxDxH)mm	Centre £	Wall £
LTAB05800	500 x 800 x 600	£231	£251
LTAB06800	600 x 800 x 600	£231	£251
LTAB07800	700 x 800 x 600	£231	£251
LTAB08800	800 x 800 x 600	£231	£251
LTAB09800	900 x 800 x 600	£231	£251
LTAB10800	1000 x 800 x 600	£288	£308
LTAB11800	1100 x 800 x 600	£288	£308
LTAB12800	1200 x 800 x 600	£299	£319
LTAB13800	1300 x 800 x 600	£337	£357
LTAB14800	1400 x 800 x 600	£349	£369
LTAB15800	1500 x 800 x 600	£368	£388
LTAB16800	1600 x 800 x 600	£428	£448
LTAB17800	1700 x 800 x 600	£440	£460
LTAB18800	1800 x 800 x 600	£453	£473
LTAB19800	1900 x 800 x 600	£496	£516
LTAB20800	2000 x 800 x 600	£568	£588

Other sizes are available - call sales on 01332 875544 to talk to our bespoke team

Stainless Steel Appliance Support Table with One Undershelf

- Square frame with adjustable feet
- Top with corner plates available for easily locating appliances
- Corner retaining brackets available upon request
- Legs built from 30mm box section
- Welded frame
- Larger sizes available

£POA



Delivery charge for Fully Assembled units = £20



Image for illustrative purposes only - product may vary.
See page 40 for technical drawing.

500mm range	(WxDxH)mm	Price
STAB05500	500 x 500 x 900	£184
STAB06500	600 x 500 x 900	£184
STAB07500	700 x 500 x 900	£184
STAB08500	800 x 500 x 900	£184
STAB09500	900 x 500 x 900	£184
STAB10500	1000 x 500 x 900	£198
STAB11500	1100 x 500 x 900	£198
STAB12500	1200 x 500 x 900	£203
STAB13500	1300 x 500 x 900	£205
STAB14500	1400 x 500 x 900	£216
STAB15500	1500 x 500 x 900	£223
STAB16500	1600 x 500 x 900	£223
STAB17500	1700 x 500 x 900	£223
STAB18500	1800 x 500 x 900	£223
STAB19500	1900 x 500 x 900	£272
STAB20500	2000 x 500 x 900	£370
STAB21500	2100 x 500 x 900	£431
STAB22500	2200 x 500 x 900	£437
STAB23500	2300 x 500 x 900	£442

600mm range	(WxDxH)mm	Price
STAB05600	500 x 600 x 900	£184
STAB06600	600 x 600 x 900	£184
STAB07600	700 x 600 x 900	£184
STAB08600	800 x 600 x 900	£184
STAB09600	900 x 600 x 900	£184
STAB10600	1000 x 600 x 900	£202
STAB11600	1100 x 600 x 900	£202
STAB12600	1200 x 600 x 900	£203
STAB13600	1300 x 600 x 900	£203
STAB14600	1400 x 600 x 900	£216
STAB15600	1500 x 600 x 900	£229
STAB16600	1600 x 600 x 900	£233
STAB17600	1700 x 600 x 900	£236
STAB18600	1800 x 600 x 900	£241
STAB19600	1900 x 600 x 900	£278
STAB20600	2000 x 600 x 900	£394
STAB21600	2100 x 600 x 900	£471
STAB22600	2200 x 600 x 900	£479
STAB23600	2300 x 600 x 900	£488

650mm range	(WxDxH)mm	Price
STAB05650	500 x 650 x 900	£195
STAB06650	600 x 650 x 900	£195
STAB07650	700 x 650 x 900	£195
STAB08650	800 x 650 x 900	£195
STAB09650	900 x 650 x 900	£195
STAB10650	1000 x 650 x 900	£208
STAB11650	1100 x 650 x 900	£208
STAB12650	1200 x 650 x 900	£212
STAB13650	1300 x 650 x 900	£246
STAB14650	1400 x 650 x 900	£269
STAB15650	1500 x 650 x 900	£299
STAB16650	1600 x 650 x 900	£303
STAB17650	1700 x 650 x 900	£315
STAB18650	1800 x 650 x 900	£327
STAB19650	1900 x 650 x 900	£353
STAB20650	2000 x 650 x 900	£431
STAB21650	2100 x 650 x 900	£475
STAB22650	2200 x 650 x 900	£479
STAB23650	2300 x 650 x 900	£491

700mm range	(WxDxH)mm	Price
STAB05700	500 x 700 x 900	£217
STAB06700	600 x 700 x 900	£217
STAB07700	700 x 700 x 900	£217
STAB08700	800 x 700 x 900	£217
STAB09700	900 x 700 x 900	£217
STAB10700	1000 x 700 x 900	£218
STAB11700	1100 x 700 x 900	£218
STAB12700	1200 x 700 x 900	£221
STAB13700	1300 x 700 x 900	£326
STAB14700	1400 x 700 x 900	£338
STAB15700	1500 x 700 x 900	£348
STAB16700	1600 x 700 x 900	£348
STAB17700	1700 x 700 x 900	£348
STAB18700	1800 x 700 x 900	£348
STAB19700	1900 x 700 x 900	£429
STAB20700	2000 x 700 x 900	£468
STAB21700	2100 x 700 x 900	£487
STAB22700	2200 x 700 x 900	£490
STAB23700	2300 x 700 x 900	£497

800mm range	(WxDxH)mm	Price
STAB05800	500 x 800 x 900	£230
STAB06800	600 x 800 x 900	£230
STAB07800	700 x 800 x 900	£230
STAB08800	800 x 800 x 900	£230
STAB09800	900 x 800 x 900	£230
STAB10800	1000 x 800 x 900	£284
STAB11800	1100 x 800 x 900	£284
STAB12800	1200 x 800 x 900	£297
STAB13800	1300 x 800 x 900	£332
STAB14800	1400 x 800 x 900	£344
STAB15800	1500 x 800 x 900	£362
STAB16800	1600 x 800 x 900	£419
STAB17800	1700 x 800 x 900	£431
STAB18800	1800 x 800 x 900	£442
STAB19800	1900 x 800 x 900	£452
STAB20800	2000 x 800 x 900	£552
STAB21800	2100 x 800 x 900	£552
STAB22800	2200 x 800 x 900	£563
STAB23800	2300 x 800 x 900	£589

Stainless Steel Table Tops

- Tables - tops only
- Made from high quality stainless steel
- * Can be retro-fitted to existing table units
- Larger sizes available £POA



Image for illustrative purposes only - product may vary.
See page 41 for technical drawing.



Cut-Outs & Special Profiles

Need your table tops cut to fit a specific shape or cut-outs to allow for power feeds, waste pipes or anything else? Not a problem - call sales for a quote.

500mm range	(WxD)mm	Price
TAB05500	500 x 500	£144
TAB06500	600 x 500	£144
TAB07500	700 x 500	£144
TAB08500	800 x 500	£144
TAB09500	900 x 500	£144
TAB10500	1000 x 500	£165
TAB11500	1100 x 500	£165
TAB12500	1200 x 500	£168
TAB13500	1300 x 500	£175
TAB14500	1400 x 500	£182
TAB15500	1500 x 500	£185
TAB16500	1600 x 500	£189
TAB17500	1700 x 500	£191
TAB18500	1800 x 500	£197
TAB19500	1900 x 500	£232
TAB20500	2000 x 500	£322
TAB21500	2100 x 500	£363
TAB22500	2200 x 500	£366
TAB23500	2300 x 500	£370

600mm range	(WxD)mm	Price
TAB05600	500 x 600	£144
TAB06600	600 x 600	£144
TAB07600	700 x 600	£144
TAB08600	800 x 600	£144
TAB09600	900 x 600	£144
TAB10600	1000 x 600	£166
TAB11600	1100 x 600	£166
TAB12600	1200 x 600	£166
TAB13600	1300 x 600	£171
TAB14600	1400 x 600	£182
TAB15600	1500 x 600	£189
TAB16600	1600 x 600	£197
TAB17600	1700 x 600	£200
TAB18600	1800 x 600	£203
TAB19600	1900 x 600	£226
TAB20600	2000 x 600	£338
TAB21600	2100 x 600	£389
TAB22600	2200 x 600	£395
TAB23600	2300 x 600	£399

650mm range	(WxD)mm	Price
TAB05650	500 x 650	£152
TAB06650	600 x 650	£152
TAB07650	700 x 650	£152
TAB08650	800 x 650	£152
TAB09650	900 x 650	£152
TAB10650	1000 x 650	£171
TAB11650	1100 x 650	£171
TAB12650	1200 x 650	£172
TAB13650	1300 x 650	£198
TAB14650	1400 x 650	£212
TAB15650	1500 x 650	£228
TAB16650	1600 x 650	£237
TAB17650	1700 x 650	£244
TAB18650	1800 x 650	£250
TAB19650	1900 x 650	£277
TAB20650	2000 x 650	£362
TAB21650	2100 x 650	£392
TAB22650	2200 x 650	£395
TAB23650	2300 x 650	£402

700mm range	(WxD)mm	Price
TAB05700	500 x 700	£164
TAB06700	600 x 700	£164
TAB07700	700 x 700	£164
TAB08700	800 x 700	£164
TAB09700	900 x 700	£164
TAB10700	1000 x 700	£175
TAB11700	1100 x 700	£175
TAB12700	1200 x 700	£178
TAB13700	1300 x 700	£245
TAB14700	1400 x 700	£251
TAB15700	1500 x 700	£257
TAB16700	1600 x 700	£258
TAB17700	1700 x 700	£260
TAB18700	1800 x 700	£262
TAB19700	1900 x 700	£320
TAB20700	2000 x 700	£387
TAB21700	2100 x 700	£398
TAB22700	2200 x 700	£401
TAB23700	2300 x 700	£407

800mm range	(WxD)mm	Price
TAB05800	500 x 800	£171
TAB06800	600 x 800	£171
TAB07800	700 x 800	£171
TAB08800	800 x 800	£171
TAB09800	900 x 800	£171
TAB10800	1000 x 800	£214
TAB11800	1100 x 800	£214
TAB12800	1200 x 800	£222
TAB13800	1300 x 800	£248
TAB14800	1400 x 800	£254
TAB15800	1500 x 800	£263
TAB16800	1600 x 800	£303
TAB17800	1700 x 800	£310
TAB18800	1800 x 800	£318
TAB19800	1900 x 800	£333
TAB20800	2000 x 800	£442
TAB21800	2100 x 800	£442
TAB22800	2200 x 800	£450
TAB23800	2300 x 800	£467

Stainless Steel Tables with Void

- Tables - with no undershelf
- Tops made from high quality stainless steel
- Can have an upstand for wall benches just specify a rear upstand
- Legs built from 30mm box section
- Welded frame
- Larger sizes available

EPOA

Optional Extras

- Special Cut Outs (specify location)
To fit Round Pipe and Pillars £160
- Fitted Standard Rubber Scrap Ring £60
- Standard Side Panels Left or Right £96
- Extra Strengthening per mtr £42
- Extra Upstand
(specify left or righthand) per table £53
- Drawers for Table
Single Drawer 390x550x115mm £142
- Special Chamfers £124
- Castors 50mm £75
- Castors 75mm £95
- Castors 100mm £135

Valance Options

- Up to 1000x200mm stainless steel valance £55
- Up to 1200x200mm stainless steel valance £62
- Up to 1500x200mm stainless steel valance £72
- Up to 1800x200mm stainless steel valance £97
- Up to 2300x200mm stainless steel valance £115



Delivery charge for Fully Assembled units = £20



Image for illustrative purposes only - product may vary.
See page 41 for technical drawing.



Table legs: 30mm box section

500mm	(WxDxH)mm	Centre £	Wall £
TABN05500	500 x 500 x 900	£184	£193
TABN06500	600 x 500 x 900	£184	£193
TABN07500	700 x 500 x 900	£184	£193
TABN08500	800 x 500 x 900	£184	£193
TABN09500	900 x 500 x 900	£184	£193
TABN10500	1000 x 500 x 900	£198	£208
TABN11500	1100 x 500 x 900	£198	£208
TABN12500	1200 x 500 x 900	£203	£212
TABN13500	1300 x 500 x 900	£205	£215
TABN14500	1400 x 500 x 900	£216	£227
TABN15500	1500 x 500 x 900	£223	£233
TABN16500	1600 x 500 x 900	£223	£233
TABN17500	1700 x 500 x 900	£223	£233
TABN18500	1800 x 500 x 900	£233	£244
TABN19500	1900 x 500 x 900	£272	£286
TABN20500	2000 x 500 x 900	£371	£388
TABN21500	2100 x 500 x 900	£431	£452
TABN22500	2200 x 500 x 900	£436	£457
TABN23500	2300 x 500 x 900	£442	£464

600mm	(WxDxH)mm	Centre £	Wall £
TABN05600	500 x 600 x 900	£184	£193
TABN06600	600 x 600 x 900	£184	£193
TABN07600	700 x 600 x 900	£184	£193
TABN08600	800 x 600 x 900	£184	£193
TABN09600	900 x 600 x 900	£184	£193
TABN10600	1000 x 600 x 900	£202	£211
TABN11600	1100 x 600 x 900	£202	£211
TABN12600	1200 x 600 x 900	£203	£212
TABN13600	1300 x 600 x 900	£203	£212
TABN14600	1400 x 600 x 900	£216	£227
TABN15600	1500 x 600 x 900	£229	£240
TABN16600	1600 x 600 x 900	£233	£244
TABN17600	1700 x 600 x 900	£236	£247
TABN18600	1800 x 600 x 900	£242	£253
TABN19600	1900 x 600 x 900	£278	£291
TABN20600	2000 x 600 x 900	£394	£413
TABN21600	2100 x 600 x 900	£471	£493
TABN22600	2200 x 600 x 900	£479	£502
TABN23600	2300 x 600 x 900	£488	£511

650mm	(WxDxH)mm	Centre £	Wall £
TABN05650	500 x 650 x 900	£195	£205
TABN06650	600 x 650 x 900	£195	£205
TABN07650	700 x 650 x 900	£195	£205
TABN08650	800 x 650 x 900	£195	£205
TABN09650	900 x 650 x 900	£195	£205
TABN10650	1000 x 650 x 900	£208	£218
TABN11650	1100 x 650 x 900	£208	£218
TABN12650	1200 x 650 x 900	£212	£222
TABN13650	1300 x 650 x 900	£246	£257
TABN14650	1400 x 650 x 900	£269	£281
TABN15650	1500 x 650 x 900	£299	£313
TABN16650	1600 x 650 x 900	£303	£318
TABN17650	1700 x 650 x 900	£315	£331
TABN18650	1800 x 650 x 900	£328	£343
TABN19650	1900 x 650 x 900	£353	£370
TABN20650	2000 x 650 x 900	£431	£452
TABN21650	2100 x 650 x 900	£475	£498
TABN22650	2200 x 650 x 900	£479	£502
TABN23650	2300 x 650 x 900	£491	£515

700mm	(WxDxH)mm	Centre £	Wall £
TABN05700	500 x 700 x 900	£228	£230
TABN06700	600 x 700 x 900	£228	£230
TABN07700	700 x 700 x 900	£228	£230
TABN08700	800 x 700 x 900	£228	£230
TABN09700	900 x 700 x 900	£228	£230
TABN10700	1000 x 700 x 900	£229	£285
TABN11700	1100 x 700 x 900	£229	£285
TABN12700	1200 x 700 x 900	£231	£296
TABN13700	1300 x 700 x 900	£342	£332
TABN14700	1400 x 700 x 900	£355	£344
TABN15700	1500 x 700 x 900	£365	£371
TABN16700	1600 x 700 x 900	£365	£419
TABN17700	1700 x 700 x 900	£365	£431
TABN18700	1800 x 700 x 900	£365	£442
TABN19700	1900 x 700 x 900	£449	£453
TABN20700	2000 x 700 x 900	£491	£552
TABN21700	2100 x 700 x 900	£510	£552
TABN22700	2200 x 700 x 900	£514	£563
TABN23700	2300 x 700 x 900	£521	£589

800mm	(WxDxH)mm	Centre £	Wall £
TABN05800	500 x 800 x 900	£230	£242
TABN06800	600 x 800 x 900	£230	£242
TABN07800	700 x 800 x 900	£230	£242
TABN08800	800 x 800 x 900	£230	£242
TABN09800	900 x 800 x 900	£230	£242
TABN10800	1000 x 800 x 900	£285	£298
TABN11800	1100 x 800 x 900	£285	£298
TABN12800	1200 x 800 x 900	£396	£311
TABN13800	1300 x 800 x 900	£332	£348
TABN14800	1400 x 800 x 900	£344	£360
TABN15800	1500 x 800 x 900	£371	£389
TABN16800	1600 x 800 x 900	£419	£439
TABN17800	1700 x 800 x 900	£431	£450
TABN18800	1800 x 800 x 900	£442	£463
TABN19800	1900 x 800 x 900	£453	£474
TABN20800	2000 x 800 x 900	£552	£578
TABN21800	2100 x 800 x 900	£552	£578
TABN22800	2200 x 800 x 900	£563	£590
TABN23800	2300 x 800 x 900	£589	£617

Stainless Steel Table with Half Undershef (left side)

- Tables - with half undershef (left side)
- Tops made from high quality stainless steel
- Can have an upstand for wall benches just specify a rear upstand
- Void can be specified to suit appliances
- Legs built from 30mm box section
- Welded frame
- Larger sizes available

£POA

Optional Extras

- Special Cut Outs (specify location)
To fit Round Pipe and Pillars £160
- Fitted Standard Rubber Scrap Ring £60
- Standard Side Panels Left or Right £96
- Extra Strengthening per mtr £42
- Extra Upstand
(specify left or righthand) per table £53
- Drawers for Table
- Single Drawer 390x550x115mm £142
- Special Chamfers £124
- Castors 50mm £75
- Castors 75mm £95
- Castors 100mm £135



Image for illustrative purposes only - product may vary.
See page 41 for technical drawing.



Table legs: 30mm box section

500mm	(WxDxH)mm	Centre £	Wall £
TABHL10500	1000 x 500 x 900	£258	£270
TABHL11500	1100 x 500 x 900	£258	£270
TABHL12500	1200 x 500 x 900	£258	£270
TABHL13500	1300 x 500 x 900	£258	£270
TABHL14500	1400 x 500 x 900	£258	£270
TABHL15500	1500 x 500 x 900	£277	£290
TABHL16500	1600 x 500 x 900	£277	£290
TABHL17500	1700 x 500 x 900	£284	£297
TABHL18500	1800 x 500 x 900	£287	£300
TABHL19500	1900 x 500 x 900	£303	£318
TABHL20500	2000 x 500 x 900	£311	£326
TABHL21500	2100 x 500 x 900	£311	£326
TABHL22500	2200 x 500 x 900	£311	£326
TABHL23500	2300 x 500 x 900	£326	£341

600mm	(WxDxH)mm	Centre £	Wall £
TABHL10600	1000 x 600 x 900	£258	£270
TABHL11600	1100 x 600 x 900	£258	£270
TABHL12600	1200 x 600 x 900	£258	£270
TABHL13600	1300 x 600 x 900	£258	£250
TABHL14600	1400 x 600 x 900	£258	£270
TABHL15600	1500 x 600 x 900	£282	£296
TABHL16600	1600 x 600 x 900	£282	£296
TABHL17600	1700 x 600 x 900	£284	£297
TABHL18600	1800 x 600 x 900	£284	£297
TABHL19600	1900 x 600 x 900	£303	£318
TABHL20600	2000 x 600 x 900	£321	£336
TABHL21600	2100 x 600 x 900	£326	£341
TABHL22600	2200 x 600 x 900	£331	£347
TABHL23600	2300 x 600 x 900	£339	£356

Valance Options

- Up to 1000x200mm stainless steel valance £55
- Up to 1200x200mm stainless steel valance £62
- Up to 1500x200mm stainless steel valance £72
- Up to 1800x200mm stainless steel valance £97
- Up to 2300x200mm stainless steel valance £115



Delivery charge for Fully Assembled units = £20

650mm	(WxDxH)mm	Centre £	Wall £
TABHL10650	1000 x 650 x 900	£274	£288
TABHL11650	1100 x 650 x 900	£274	£288
TABHL12650	1200 x 650 x 900	£274	£288
TABHL13650	1300 x 650 x 900	£274	£288
TABHL14650	1400 x 650 x 900	£274	£288
TABHL15650	1500 x 650 x 900	£292	£307
TABHL16650	1600 x 650 x 900	£292	£307
TABHL17650	1700 x 650 x 900	£296	£311
TABHL18650	1800 x 650 x 900	£344	£360
TABHL19650	1900 x 650 x 900	£376	£394
TABHL20650	2000 x 650 x 900	£418	£438
TABHL21650	2100 x 650 x 900	£424	£445
TABHL22650	2200 x 650 x 900	£441	£462
TABHL23650	2300 x 650 x 900	£459	£481

700mm	(WxDxH)mm	Centre £	Wall £
TABHL10700	1000 x 700 x 900	£305	£319
TABHL11700	1100 x 700 x 900	£305	£319
TABHL12700	1200 x 700 x 900	£305	£319
TABHL13700	1300 x 700 x 900	£305	£319
TABHL14700	1400 x 700 x 900	£305	£319
TABHL15700	1500 x 700 x 900	£307	£321
TABHL16700	1600 x 700 x 900	£307	£321
TABHL17700	1700 x 700 x 900	£308	£322
TABHL18700	1800 x 700 x 900	£458	£480
TABHL19700	1900 x 700 x 900	£473	£496
TABHL20700	2000 x 700 x 900	£487	£510
TABHL21700	2100 x 700 x 900	£487	£510
TABHL22700	2200 x 700 x 900	£487	£510
TABHL23700	2300 x 700 x 900	£487	£510

800mm	(WxDxH)mm	Centre £	Wall £
TABHL10800	1000 x 800 x 900	£323	£338
TABHL11800	1100 x 800 x 900	£323	£338
TABHL12800	1200 x 800 x 900	£323	£338
TABHL13800	1300 x 800 x 900	£323	£338
TABHL14800	1400 x 800 x 900	£323	£338
TABHL15800	1500 x 800 x 900	£398	£417
TABHL16800	1600 x 800 x 900	£398	£417
TABHL17800	1700 x 800 x 900	£415	£435
TABHL18800	1800 x 800 x 900	£465	£487
TABHL19800	1900 x 800 x 900	£482	£505
TABHL20800	2000 x 800 x 900	£505	£530
TABHL21800	2100 x 800 x 900	£587	£614
TABHL22800	2200 x 800 x 900	£603	£632
TABHL23800	2300 x 800 x 900	£620	£649

Stainless Steel Table with Half Undershef (right side)

- Tables - with half undershef (left side)
- Tops made from high quality stainless steel
- Can have an upstand for wall benches just specify a rear upstand
- Void can be specified to suit appliances
- Legs built from 30mm box section
- Welded frame
- Larger sizes available

£POA

Optional Extras

- Special Cut Outs (specify location)
To fit Round Pipe and Pillars £160
- Fitted Standard Rubber Scrap Ring £60
- Standard Side Panels Left or Right £96
- Extra Strengthening per mtr £42
- Extra Upstand
(specify left or righthand) per table £53
- Drawers for Table
Single Drawer 390x550x115mm £142
- Special Chamfers £124
- Castors 50mm £75
- Castors 75mm £95
- Castors 100mm £135

Valance Options

- Up to 1000x200mm stainless steel valance £55
- Up to 1200x200mm stainless steel valance £62
- Up to 1500x200mm stainless steel valance £72
- Up to 1800x200mm stainless steel valance £97
- Up to 2300x200mm stainless steel valance £115



Delivery charge for Fully Assembled units = £20



Table legs: 30mm box section

500mm	(WxDxH)mm	Centre £	Wall £
TABHR10500	1000 x 500 x 900	£258	£270
TABHR11500	1100 x 500 x 900	£258	£270
TABHR12500	1200 x 500 x 900	£258	£270
TABHR13500	1300 x 500 x 900	£258	£270
TABHR14500	1400 x 500 x 900	£258	£270
TABHR15500	1500 x 500 x 900	£277	£290
TABHR16500	1600 x 500 x 900	£277	£290
TABHR17500	1700 x 500 x 900	£284	£297
TABHR18500	1800 x 500 x 900	£287	£300
TABHR19500	1900 x 500 x 900	£303	£318
TABHR20500	2000 x 500 x 900	£311	£326
TABHR21500	2100 x 500 x 900	£311	£326
TABHR22500	2200 x 500 x 900	£311	£326
TABHR23500	2300 x 500 x 900	£326	£341

600mm	(WxDxH)mm	Centre £	Wall £
TABHR10600	1000 x 600 x 900	£258	£270
TABHR11600	1100 x 600 x 900	£258	£270
TABHR12600	1200 x 600 x 900	£258	£270
TABHR13600	1300 x 600 x 900	£258	£250
TABHR14600	1400 x 600 x 900	£258	£270
TABHR15600	1500 x 600 x 900	£282	£296
TABHR16600	1600 x 600 x 900	£282	£296
TABHR17600	1700 x 600 x 900	£284	£297
TABHR18600	1800 x 600 x 900	£284	£297
TABHR19600	1900 x 600 x 900	£303	£318
TABHR20600	2000 x 600 x 900	£321	£336
TABHR21600	2100 x 600 x 900	£326	£341
TABHR22600	2200 x 600 x 900	£331	£347
TABHR23600	2300 x 600 x 900	£339	£356

650mm	(WxDxH)mm	Centre £	Wall £
TABHR10650	1000 x 650 x 900	£274	£288
TABHR11650	1100 x 650 x 900	£274	£288
TABHR12650	1200 x 650 x 900	£274	£288
TABHR13650	1300 x 650 x 900	£274	£288
TABHR14650	1400 x 650 x 900	£274	£288
TABHR15650	1500 x 650 x 900	£292	£307
TABHR16650	1600 x 650 x 900	£292	£307
TABHR17650	1700 x 650 x 900	£296	£311
TABHR18650	1800 x 650 x 900	£344	£360
TABHR19650	1900 x 650 x 900	£376	£394
TABHR20650	2000 x 650 x 900	£418	£438
TABHR21650	2100 x 650 x 900	£424	£445
TABHR22650	2200 x 650 x 900	£441	£462
TABHR23650	2300 x 650 x 900	£459	£481

700mm	(WxDxH)mm	Centre £	Wall £
TABHR10700	1000 x 700 x 900	£305	£319
TABHR11700	1100 x 700 x 900	£305	£319
TABHR12700	1200 x 700 x 900	£305	£319
TABHR13700	1300 x 700 x 900	£305	£319
TABHR14700	1400 x 700 x 900	£305	£319
TABHR15700	1500 x 700 x 900	£307	£321
TABHR16700	1600 x 700 x 900	£307	£321
TABHR17700	1700 x 700 x 900	£308	£322
TABHR18700	1800 x 700 x 900	£458	£480
TABHR19700	1900 x 700 x 900	£473	£496
TABHR20700	2000 x 700 x 900	£487	£510
TABHR21700	2100 x 700 x 900	£487	£510
TABHR22700	2200 x 700 x 900	£487	£510
TABHR23700	2300 x 700 x 900	£487	£510

800mm	(WxDxH)mm	Centre £	Wall £
TABHR10800	1000 x 800 x 900	£323	£338
TABHR11800	1100 x 800 x 900	£323	£338
TABHR12800	1200 x 800 x 900	£323	£338
TABHR13800	1300 x 800 x 900	£323	£338
TABHR14800	1400 x 800 x 900	£323	£338
TABHR15800	1500 x 800 x 900	£398	£417
TABHR16800	1600 x 800 x 900	£398	£417
TABHR17800	1700 x 800 x 900	£415	£435
TABHR18800	1800 x 800 x 900	£465	£487
TABHR19800	1900 x 800 x 900	£482	£505
TABHR20800	2000 x 800 x 900	£505	£530
TABHR21800	2100 x 800 x 900	£587	£614
TABHR22800	2200 x 800 x 900	£603	£632
TABHR23800	2300 x 800 x 900	£620	£649

Stainless Steel Storage Racks with 3 Shelves and Adjustable Feet

- Adjustable feet
- 300mm deep (will require a wall tie bar)
- Variable height shelving (only on self assembly)
- Available as self assembly or fully assembled
- Extra shelves available from £50



Delivery charge for Fully Assembled units = £20



FREE DELIVERY on Self Assembly Unit

Variable Height Shelving

All of our **Self Assembly** shelving allows for fully customisable shelf location - giving you the flexibility with shelf heights that are right for you.



Image for illustrative purposes only - product may vary. See page 42 for technical drawing.

Please Note: ALL Fully Assembled units have shelves spaced evenly. If you require a different configuration please specify when ordering.



300mm	(WxDxH)mm	Perf £	Solid £
RACK3S10300	1000 x 300 x 1200	£277	£291
RACK3S11300	1100 x 300 x 1200	£277	£291
RACK3S12300	1200 x 300 x 1200	£277	£291
RACK3S13300	1300 x 300 x 1200	£279	£293
RACK3S14300	1400 x 300 x 1200	£279	£293
RACK3S15300	1500 x 300 x 1200	£279	£293
RACK3S16300	1600 x 300 x 1200	£298	£313
RACK3S17300	1700 x 300 x 1200	£298	£313
RACK3S18300	1800 x 300 x 1200	£362	£380
RACK3S19300	1900 x 300 x 1200	£362	£380
RACK3S20300	2000 x 300 x 1200	£362	£380

400mm	(WxDxH)mm	Perf £	Solid £
RACK3S10400	1000 x 400 x 1200	£277	£291
RACK3S11400	1100 x 400 x 1200	£277	£291
RACK3S12400	1200 x 400 x 1200	£277	£291
RACK3S13400	1300 x 400 x 1200	£279	£293
RACK3S14400	1400 x 400 x 1200	£279	£293
RACK3S15400	1500 x 400 x 1200	£279	£293
RACK3S16400	1600 x 400 x 1200	£298	£313
RACK3S17400	1700 x 400 x 1200	£298	£313
RACK3S18400	1800 x 400 x 1200	£362	£380
RACK3S19400	1900 x 400 x 1200	£362	£380
RACK3S20400	2000 x 400 x 1200	£362	£380

500mm	(WxDxH)mm	Perf £	Solid £
RACK3S10500	1000 x 500 x 1200	£350	£343
RACK3S11500	1100 x 500 x 1200	£350	£343
RACK3S12500	1200 x 500 x 1200	£350	£343
RACK3S13500	1300 x 500 x 1200	£352	£345
RACK3S14500	1400 x 500 x 1200	£352	£345
RACK3S15500	1500 x 500 x 1200	£352	£345
RACK3S16500	1600 x 500 x 1200	£375	£369
RACK3S17500	1700 x 500 x 1200	£375	£369
RACK3S18500	1800 x 500 x 1200	£457	£448
RACK3S19500	1900 x 500 x 1200	£457	£448
RACK3S20500	2000 x 500 x 1200	£457	£448

600mm	(WxDxH)mm	Perf £	Solid £
RACK3S10600	1000 x 600 x 1200	£368	£360
RACK3S11600	1100 x 600 x 1200	£368	£360
RACK3S12600	1200 x 600 x 1200	£368	£360
RACK3S13600	1300 x 600 x 1200	£378	£371
RACK3S14600	1400 x 600 x 1200	£378	£371
RACK3S15600	1500 x 600 x 1200	£378	£371
RACK3S16600	1600 x 600 x 1200	£403	£396
RACK3S17600	1700 x 600 x 1200	£403	£396
RACK3S18600	1800 x 600 x 1200	£503	£494
RACK3S19600	1900 x 600 x 1200	£503	£494
RACK3S20600	2000 x 600 x 1200	£503	£494

Stainless Steel Storage Racks with 4 Shelves and Adjustable Feet

- Adjustable feet
- 300mm deep (will require a wall tie bar)
- Variable height shelving (only on self assembly)
- Available as self assembly or fully assembled
- Extra shelves available from £50



Delivery charge for Fully Assembled units = £20



FREE DELIVERY on Self Assembly Unit



Image for illustrative purposes only - product may vary. See page 42 for technical drawing.

Please Note: ALL Fully Assembled units have shelves spaced evenly. If you require a different configuration please specify when ordering.



300mm	(WxDxH)mm	Perf £	Solid £
RACK4S10300	1000 x 300 x 1500	£347	£339
RACK4S11300	1100 x 300 x 1500	£347	£339
RACK4S12300	1200 x 300 x 1500	£347	£339
RACK4S13300	1300 x 300 x 1500	£354	£348
RACK4S14300	1400 x 300 x 1500	£354	£348
RACK4S15300	1500 x 300 x 1500	£354	£348
RACK4S16300	1600 x 300 x 1500	£368	£360
RACK4S17300	1700 x 300 x 1500	£368	£360
RACK4S18300	1800 x 300 x 1500	£450	£442
RACK4S19300	1900 x 300 x 1500	£450	£442
RACK4S20300	2000 x 300 x 1500	£450	£442

400mm	(WxDxH)mm	Perf £	Solid £
RACK4S10400	1000 x 400 x 1500	£347	£339
RACK4S11400	1100 x 400 x 1500	£347	£339
RACK4S12400	1200 x 400 x 1500	£347	£339
RACK4S13400	1300 x 400 x 1500	£354	£348
RACK4S14400	1400 x 400 x 1500	£354	£348
RACK4S15400	1500 x 400 x 1500	£354	£348
RACK4S16400	1600 x 400 x 1500	£368	£360
RACK4S17400	1700 x 400 x 1500	£368	£360
RACK4S18400	1800 x 400 x 1500	£450	£442
RACK4S19400	1900 x 400 x 1500	£450	£442
RACK4S20400	2000 x 400 x 1500	£450	£442

500mm	(WxDxH)mm	Perf £	Solid £
RACK4S10500	1000 x 500 x 1500	£406	£399
RACK4S11500	1100 x 500 x 1500	£406	£399
RACK4S12500	1200 x 500 x 1500	£406	£399
RACK4S13500	1300 x 500 x 1500	£411	£402
RACK4S14500	1400 x 500 x 1500	£411	£402
RACK4S15500	1500 x 500 x 1500	£411	£402
RACK4S16500	1600 x 500 x 1500	£437	£428
RACK4S17500	1700 x 500 x 1500	£437	£428
RACK4S18500	1800 x 500 x 1500	£579	£568
RACK4S19500	1900 x 500 x 1500	£579	£568
RACK4S20500	2000 x 500 x 1500	£579	£568

600mm	(WxDxH)mm	Perf £	Solid £
RACK4S10600	1000 x 600 x 1500	£428	£420
RACK4S11600	1100 x 600 x 1500	£428	£420
RACK4S12600	1200 x 600 x 1500	£428	£420
RACK4S13600	1300 x 600 x 1500	£446	£438
RACK4S14600	1400 x 600 x 1500	£446	£438
RACK4S15600	1500 x 600 x 1500	£446	£438
RACK4S16600	1600 x 600 x 1500	£470	£462
RACK4S17600	1700 x 600 x 1500	£470	£462
RACK4S18600	1800 x 600 x 1500	£592	£581
RACK4S19600	1900 x 600 x 1500	£592	£581
RACK4S20600	2000 x 600 x 1500	£592	£581

Stainless Steel Storage Racks with 5 Shelves and Adjustable Feet

- Adjustable feet
- 300mm deep (will require a wall tie bar)
- Variable height shelving (only on self assembly)
- Available as self assembly or fully assembled
- Extra shelves available from £50



Delivery charge for Fully Assembled units = £20



FREE DELIVERY on Self Assembly Unit

Variable Height Shelving

All of our **Self Assembly** shelving allows for fully customisable shelf location - giving you the flexibility with shelf heights that are right for you.



Image for illustrative purposes only - product may vary. See page 42 for technical drawing.

Please Note: ALL Fully Assembled units have shelves spaced evenly. If you require a different configuration please specify when ordering.



300mm	(WxDxH)mm	Perf £	Solid £
RACK5S10300	1000 x 300 x 1800	£396	£389
RACK5S11300	1100 x 300 x 1800	£396	£389
RACK5S12300	1200 x 300 x 1800	£396	£389
RACK5S13300	1300 x 300 x 1800	£398	£391
RACK5S14300	1400 x 300 x 1800	£398	£391
RACK5S15300	1500 x 300 x 1800	£398	£391
RACK5S16300	1600 x 300 x 1800	£424	£417
RACK5S17300	1700 x 300 x 1800	£424	£417
RACK5S18300	1800 x 300 x 1800	£518	£508
RACK5S19300	1900 x 300 x 1800	£518	£508
RACK5S20300	2000 x 300 x 1800	£518	£508

400mm	(WxDxH)mm	Perf £	Solid £
RACK5S10400	1000 x 400 x 1800	£396	£389
RACK5S11400	1100 x 400 x 1800	£396	£389
RACK5S12400	1200 x 400 x 1800	£396	£389
RACK5S13400	1300 x 400 x 1800	£398	£391
RACK5S14400	1400 x 400 x 1800	£398	£391
RACK5S15400	1500 x 400 x 1800	£398	£391
RACK5S16400	1600 x 400 x 1800	£424	£417
RACK5S17400	1700 x 400 x 1800	£424	£417
RACK5S18400	1800 x 400 x 1800	£518	£508
RACK5S19400	1900 x 400 x 1800	£518	£508
RACK5S20400	2000 x 400 x 1800	£518	£508

500mm	(WxDxH)mm	Perf £	Solid £
RACK5S10500	1000 x 500 x 1800	£465	£457
RACK5S11500	1100 x 500 x 1800	£465	£457
RACK5S12500	1200 x 500 x 1800	£465	£457
RACK5S13500	1300 x 500 x 1800	£468	£460
RACK5S14500	1400 x 500 x 1800	£468	£460
RACK5S15500	1500 x 500 x 1800	£468	£460
RACK5S16500	1600 x 500 x 1800	£500	£490
RACK5S17500	1700 x 500 x 1800	£500	£490
RACK5S18500	1800 x 500 x 1800	£610	£599
RACK5S19500	1900 x 500 x 1800	£610	£599
RACK5S20500	2000 x 500 x 1800	£610	£599

600mm	(WxDxH)mm	Perf £	Solid £
RACK5S10600	1000 x 600 x 1800	£488	£480
RACK5S11600	1100 x 600 x 1800	£488	£480
RACK5S12600	1200 x 600 x 1800	£488	£480
RACK5S13600	1300 x 600 x 1800	£503	£494
RACK5S14600	1400 x 600 x 1800	£503	£494
RACK5S15600	1500 x 600 x 1800	£503	£494
RACK5S16600	1600 x 600 x 1800	£539	£528
RACK5S17600	1700 x 600 x 1800	£539	£528
RACK5S18600	1800 x 600 x 1800	£671	£658
RACK5S19600	1900 x 600 x 1800	£671	£658
RACK5S20600	2000 x 600 x 1800	£671	£658

Stainless Steel Storage Racks with 6 Shelves and Adjustable Feet

- Adjustable feet
- 300mm deep (will require a wall tie bar)
- Variable height shelving (only on self assembly)
- Available as self assembly or fully assembled
- Extra shelves available from £50



Delivery charge for Fully Assembled units = £20



FREE DELIVERY on Self Assembly Unit

Variable Height Shelving

All of our **Self Assembly** shelving allows for fully customisable shelf location - giving you the flexibility with shelf heights that are right for you.



Image for illustrative purposes only - product may vary. See page 42 for technical drawing.



Please Note: ALL Fully Assembled units have shelves spaced evenly. If you require a different configuration please specify when ordering.

300mm	(WxDxH)mm	Perf £	Solid £
RACK6S10300	1000 x 300 x 2000	£495	£485
RACK6S11300	1100 x 300 x 2000	£495	£485
RACK6S12300	1200 x 300 x 2000	£495	£485
RACK6S13300	1300 x 300 x 2000	£497	£487
RACK6S14300	1400 x 300 x 2000	£497	£487
RACK6S15300	1500 x 300 x 2000	£497	£487
RACK6S16300	1600 x 300 x 2000	£531	£522
RACK6S17300	1700 x 300 x 2000	£531	£522
RACK6S18300	1800 x 300 x 2000	£647	£635
RACK6S19300	1900 x 300 x 2000	£647	£635
RACK6S20300	2000 x 300 x 2000	£647	£635

400mm	(WxDxH)mm	Perf £	Solid £
RACK6S10400	1000 x 400 x 2000	£495	£485
RACK6S11400	1100 x 400 x 2000	£495	£485
RACK6S12400	1200 x 400 x 2000	£495	£485
RACK6S13400	1300 x 400 x 2000	£497	£487
RACK6S14400	1400 x 400 x 2000	£497	£487
RACK6S15400	1500 x 400 x 2000	£497	£487
RACK6S16400	1600 x 400 x 2000	£531	£522
RACK6S17400	1700 x 400 x 2000	£531	£5227
RACK6S18400	1800 x 400 x 2000	£647	£635
RACK6S19400	1900 x 400 x 2000	£647	£635
RACK6S20400	2000 x 400 x 2000	£647	£635

500mm	(WxDxH)mm	Perf £	Solid £
RACK6S10500	1000 x 500 x 2000	£582	£571
RACK6S11500	1100 x 500 x 2000	£582	£571
RACK6S12500	1200 x 500 x 2000	£582	£571
RACK6S13500	1300 x 500 x 2000	£585	£574
RACK6S14500	1400 x 500 x 2000	£585	£574
RACK6S15500	1500 x 500 x 2000	£585	£574
RACK6S16500	1600 x 500 x 2000	£626	£614
RACK6S17500	1700 x 500 x 2000	£626	£614
RACK6S18500	1800 x 500 x 2000	£761	£748
RACK6S19500	1900 x 500 x 2000	£761	£748
RACK6S20500	2000 x 500 x 2000	£761	£748

600mm	(WxDxH)mm	Perf £	Solid £
RACK6S10600	1000 x 600 x 2000	£611	£600
RACK6S11600	1100 x 600 x 2000	£611	£600
RACK6S12600	1200 x 600 x 2000	£611	£600
RACK6S13600	1300 x 600 x 2000	£630	£618
RACK6S14600	1400 x 600 x 2000	£630	£618
RACK6S15600	1500 x 600 x 2000	£630	£618
RACK6S16600	1600 x 600 x 2000	£673	£660
RACK6S17600	1700 x 600 x 2000	£673	£660
RACK6S18600	1800 x 600 x 2000	£839	£823
RACK6S19600	1900 x 600 x 2000	£839	£823
RACK6S20600	2000 x 600 x 2000	£839	£823

Stainless Steel Chef's Rack Single Tier

- High quality stainless steel
 - Complete with pre-drilled brackets
 - Fully assembled only
 - Larger sizes available
- EPOA



Delivery charge for Fully Assembled units = £20



Image for illustrative purposes only - product may vary.
See page 42 for technical drawing.



Require Lights?

Our Chef Racks are available either lit or unlit. Our lit units use quartz lights to give great illumination from a small source.

250mm range(WxDxH)mm		Unlit £	Lit Tier
SHELFST10250	1000 x 250 x 400	£240	£510
SHELFST11250	1100 x 250 x 400	£240	£510
SHELFST12250	1200 x 250 x 400	£240	£510
SHELFST13250	1300 x 250 x 400	£250	£548
SHELFST14250	1400 x 250 x 400	£250	£548
SHELFST15250	1500 x 250 x 400	£250	£548
SHELFST16250	1600 x 250 x 400	£258	£589
SHELFST17250	1700 x 250 x 400	£258	£589
SHELFST18250	1800 x 250 x 400	£315	£685
SHELFST19250	1900 x 250 x 400	£315	£685
SHELFST20250	2000 x 250 x 400	£315	£685

300mm range(WxDxH)mm		Unlit £	Lit Tier
SHELFST10300	1000 x 300 x 400	£247	£517
SHELFST11300	1100 x 300 x 400	£247	£517
SHELFST12300	1200 x 300 x 400	£247	£517
SHELFST13300	1300 x 300 x 400	£257	£554
SHELFST14300	1400 x 300 x 400	£257	£554
SHELFST15300	1500 x 300 x 400	£257	£554
SHELFST16300	1600 x 300 x 400	£265	£595
SHELFST17300	1700 x 300 x 400	£265	£595
SHELFST18300	1800 x 300 x 400	£323	£692
SHELFST19300	1900 x 300 x 400	£323	£692
SHELFST20300	2000 x 300 x 400	£323	£692

350mm range(WxDxH)mm		Unlit £	Lit Tier
SHELFST10350	1000 x 350 x 400	£252	£523
SHELFST11350	1100 x 350 x 400	£252	£523
SHELFST12350	1200 x 350 x 400	£252	£523
SHELFST13350	1300 x 350 x 400	£264	£561
SHELFST14350	1400 x 350 x 400	£264	£561
SHELFST15350	1500 x 350 x 400	£264	£561
SHELFST16350	1600 x 350 x 400	£272	£603
SHELFST17350	1700 x 350 x 400	£272	£603
SHELFST18350	1800 x 350 x 400	£331	£700
SHELFST19350	1900 x 350 x 400	£331	£700
SHELFST20350	2000 x 350 x 400	£331	£700

400mm range(WxDxH)mm		Unlit £	Lit Tier
SHELFST10400	1000 x 400 x 400	£259	£529
SHELFST11400	1100 x 400 x 400	£259	£529
SHELFST12400	1200 x 400 x 400	£259	£529
SHELFST13400	1300 x 400 x 400	£270	£568
SHELFST14400	1400 x 400 x 400	£270	£568
SHELFST15400	1500 x 400 x 400	£270	£568
SHELFST16400	1600 x 400 x 400	£279	£610
SHELFST17400	1700 x 400 x 400	£279	£610
SHELFST18400	1800 x 400 x 400	£339	£709
SHELFST19400	1900 x 400 x 400	£339	£709
SHELFST20400	2000 x 400 x 400	£339	£709

Stainless Steel Chef's Rack Double Tier

- High quality stainless steel
- Complete with pre-drilled brackets
- Fully assembled only
- Larger sizes available

£POA



Delivery charge for Fully Assembled units = £20



Image for illustrative purposes only - product may vary.
See page 42 for technical drawing.



Require Lights?

Our Chef Racks are available either lit or unlit. Our lit units use quartz lights to give great illumination from a small source.

250mm range(WxDxH)mm	Unlit £	Lit Tier	
SHELFTT10250	1000 x 250 x 700	£308	£847
SHELFTT11250	1100 x 250 x 700	£308	£847
SHELFTT12250	1200 x 250 x 700	£308	£847
SHELFTT13250	1300 x 250 x 700	£317	£912
SHELFTT14250	1400 x 250 x 700	£317	£912
SHELFTT15250	1500 x 250 x 700	£317	£912
SHELFTT16250	1600 x 250 x 700	£327	£998
SHELFTT17250	1700 x 250 x 700	£327	£998
SHELFTT18250	1800 x 250 x 700	£398	£1,137
SHELFTT19250	1900 x 250 x 700	£398	£1,137
SHELFTT20250	2000 x 250 x 700	£398	£1,137

300mm range(WxDxH)mm	Unlit £	Lit Tier	
SHELFTT10300	1000 x 300 x 700	£316	£857
SHELFTT11300	1100 x 300 x 700	£316	£857
SHELFTT12300	1200 x 300 x 700	£316	£857
SHELFTT13300	1300 x 300 x 700	£326	£921
SHELFTT14300	1400 x 300 x 700	£326	£921
SHELFTT15300	1500 x 300 x 700	£326	£921
SHELFTT16300	1600 x 300 x 700	£334	£995
SHELFTT17300	1700 x 300 x 700	£344	£995
SHELFTT18300	1800 x 300 x 700	£410	£1,148
SHELFTT19300	1900 x 300 x 700	£410	£1,148
SHELFTT20300	2000 x 300 x 700	£410	£1,148

350mm range(WxDxH)mm	Unlit £	Lit Tier	
SHELFTT10350	1000 x 350 x 700	£324	£864
SHELFTT11350	1100 x 350 x 700	£324	£864
SHELFTT12350	1200 x 350 x 700	£324	£864
SHELFTT13350	1300 x 350 x 700	£333	£928
SHELFTT14350	1400 x 350 x 700	£333	£928
SHELFTT15350	1500 x 350 x 700	£333	£928
SHELFTT16350	1600 x 350 x 700	£343	£1,005
SHELFTT17350	1700 x 350 x 700	£343	£1,005
SHELFTT18350	1800 x 350 x 700	£419	£1,158
SHELFTT19350	1900 x 350 x 700	£419	£1,158
SHELFTT20350	2000 x 350 x 700	£419	£1,158

400mm range(WxDxH)mm	Unlit £	Lit Tier	
SHELFTT10400	1000 x 400 x 700	£332	£873
SHELFTT11400	1100 x 400 x 700	£332	£873
SHELFTT12400	1200 x 400 x 700	£332	£873
SHELFTT13400	1300 x 400 x 700	£342	£938
SHELFTT14400	1400 x 400 x 700	£342	£938
SHELFTT15400	1500 x 400 x 700	£342	£938
SHELFTT16400	1600 x 400 x 700	£352	£1,013
SHELFTT17400	1700 x 400 x 700	£352	£1,013
SHELFTT18400	1800 x 400 x 700	£431	£1,169
SHELFTT19400	1900 x 400 x 700	£431	£1,169
SHELFTT20400	2000 x 400 x 700	£431	£1,169

Stainless Steel Chef's Rack Triple Tier

- High quality stainless steel
- Complete with pre-drilled brackets
- Fully assembled only
- Larger sizes available

£POA



Delivery charge for Fully Assembled units = £20



Image for illustrative purposes only - product may vary.
See page 42 for technical drawing.



Require Lights?

Our Chef Racks are available either lit or unlit. Our lit units use quartz lights to give great illumination from a small source.

250mm range(WxDxH)mm	Unlit £	Lit Tier	
SHELF3T10250	1000 x 250 x 900	£378	£1,189
SHELF3T11250	1100 x 250 x 900	£378	£1,189
SHELF3T12250	1200 x 250 x 900	£378	£1,189
SHELF3T13250	1300 x 250 x 900	£390	£1,282
SHELF3T14250	1400 x 250 x 900	£390	£1,282
SHELF3T15250	1500 x 250 x 900	£390	£1,282
SHELF3T16250	1600 x 250 x 900	£400	£1,392
SHELF3T17250	1700 x 250 x 900	£400	£1,392
SHELF3T18250	1800 x 250 x 900	£489	£1,597
SHELF3T19250	1900 x 250 x 900	£489	£1,597
SHELF3T20250	2000 x 250 x 900	£489	£1,597

300mm range(WxDxH)mm	Unlit £	Lit Tier	
SHELF3T10300	1000 x 300 x 900	£420	£1,231
SHELF3T11300	1100 x 300 x 900	£420	£1,231
SHELF3T12300	1200 x 300 x 900	£420	£1,231
SHELF3T13300	1300 x 300 x 900	£434	£1,326
SHELF3T14300	1400 x 300 x 900	£434	£1,326
SHELF3T15300	1500 x 300 x 900	£434	£1,326
SHELF3T16300	1600 x 300 x 900	£444	£1,436
SHELF3T17300	1700 x 300 x 900	£444	£1,436
SHELF3T18300	1800 x 300 x 900	£543	£1,651
SHELF3T19300	1900 x 300 x 900	£543	£1,651
SHELF3T20300	2000 x 300 x 900	£543	£1,651

350mm range(WxDxH)mm	Unlit £	Lit Tier	
SHELF3T10350	1000 x 350 x 900	£462	£1,273
SHELF3T11350	1100 x 350 x 900	£462	£1,273
SHELF3T12350	1200 x 350 x 900	£462	£1,273
SHELF3T13350	1300 x 350 x 900	£477	£1,369
SHELF3T14350	1400 x 350 x 900	£477	£1,369
SHELF3T15350	1500 x 350 x 900	£477	£1,369
SHELF3T16350	1600 x 350 x 900	£489	£1,482
SHELF3T17350	1700 x 350 x 900	£489	£1,482
SHELF3T18350	1800 x 350 x 900	£597	£1,705
SHELF3T19350	1900 x 350 x 900	£597	£1,705
SHELF3T20350	2000 x 350 x 900	£597	£1,705

400mm range(WxDxH)mm	Unlit £	Lit Tier	
SHELF3T10400	1000 x 400 x 900	£508	£1,319
SHELF3T11400	1100 x 400 x 900	£508	£1,319
SHELF3T12400	1200 x 400 x 900	£508	£1,319
SHELF3T13400	1300 x 400 x 900	£524	£1,416
SHELF3T14400	1400 x 400 x 900	£524	£1,416
SHELF3T15400	1500 x 400 x 900	£524	£1,416
SHELF3T16400	1600 x 400 x 900	£538	£1,530
SHELF3T17400	1700 x 400 x 900	£538	£1,530
SHELF3T18400	1800 x 400 x 900	£657	£1,765
SHELF3T19400	1900 x 400 x 900	£657	£1,765
SHELF3T20400	2000 x 400 x 900	£657	£1,765

Storage Shelves - Wall Shelves

- Comes complete with pre-drilled brackets
- Made from high quality stainless steel

Bespoke Service

This item can be made to order. What ever size you need our bespoke service can build it to your exact size requirements. Call for a quote now.



Image for illustrative purposes only - product may vary

200mm range	(WxD)mm	Price
SHELF2W900	900 x 200	£89
SHELF2W1200	1200 x 200	£92
SHELF2W1500	1500 x 200	£98
SHELF2W1800	1800 x 200	£101
SHELF2W2100	2100 x 200	£111
SHELF2W2300	2300 x 200	£118

300mm range	(WxD)mm	Price
SHELF3W900	900 x 300	£92
SHELF3W1200	1200 x 300	£94
SHELF3W1500	1500 x 300	£101
SHELF3W1800	1800 x 300	£107
SHELF3W2100	2100 x 300	£114
SHELF3W2300	2300 x 300	£120

400mm range	(WxD)mm	Price
SHELF4W900	900 x 400	£95
SHELF4W1200	1200 x 400	£97
SHELF4W1500	1500 x 400	£107
SHELF4W1800	1800 x 400	£111
SHELF4W2100	2100 x 400	£118
SHELF4W2300	2300 x 400	£126

Storage Shelves Microwave Wall Shelves

- Comes complete with pre-drilled brackets
- Made from high quality stainless steel



Image for illustrative purposes only - product may vary

400mm range	(WxD)mm	Price
SHELFM6X4	600 x 400	£88

500mm range	(WxD)mm	Price
SHELFM6X5	600 x 500	£94

600mm range	(WxD)mm	Price
SHELFM6X6	600 x 600	£99

Stainless Steel Gastronorm Tray Trolley

- Can be manufactured to accommodate any size tray - POA
- Made from high quality stainless steel

Model No.	(WxDxH)mm	Specification	Price
SCT900	670x530x900mm	10-tier supports trays up to 530x370mm (50mm between shelves)	£410
SCT1600	670x530x1670mm	20-tier supports trays up to 530x370mm (50mm between shelves)	£535



Delivery charge for Fully Assembled units = £20



Image for illustrative purposes only - product may vary

Condensate Canopies / Steam Hoods

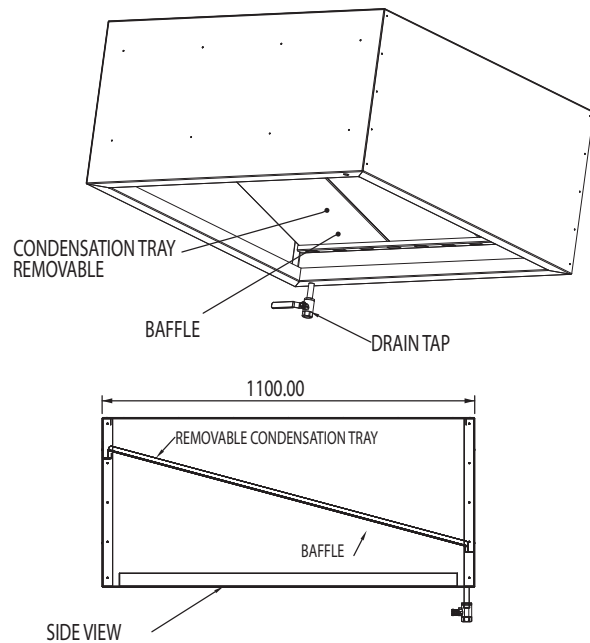
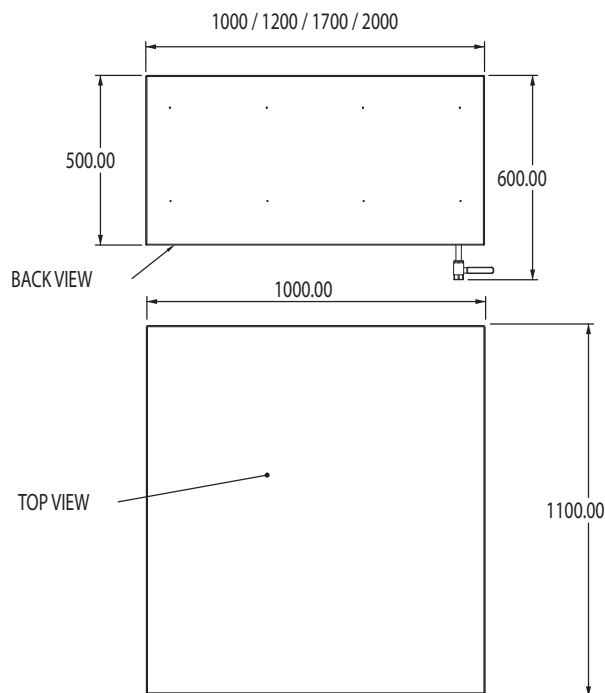
Moisture control for your catering environment

Kitchens, as a rule are areas where moisture is part of the working day. Just cooking food releases moisture into the environment making the air more humid. When you introduce ware washing solutions into a catering environment the moisture levels increase dramatically, and in a kitchen that's not always good for the food or the staff.

Condensate canopies (also known as steam hoods) are designed to manage and expel excess moisture produced by high steam output equipment like dishwashers, combination ovens and atmospheric steamers. Fitted above equipment, these canopies allow steam laden air to be safely captured.

They are fitted with a sloped condensation plate which, on contact with steam turns it into water and then directs it into a drain off, keeping it out of the air and reducing overall environmental humidity.

The result is less humidity, drier surfaces and a safer and more comfortable working environment.



Condensate Canopy - Steam Hood

- Ideal for use with dishwashers and combination ovens
- Made from high quality stainless steel
- Easy clean design
- Heavy duty construction

Model No.	Dims (WxDxH)mm	Price Without Baffle	Price With Baffle
CON1000	1000 x 1100 x 500	£717	£880
CON1200	1200 x 1100 x 500	£740	£906
CON1700	1700 x 1100 x 500	£1,255	£1,354
CON2100	2100 x 1100 x 500	£1,400	£1,642

Please Note: Delivery charge of £70 applies to both CON1700 & CON2100

Step One Choose your canopy...

The Snack Canopy

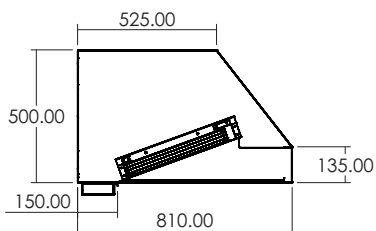


Image for illustrative purposes only - product may vary

The perfect canopy for small scale catering requirements, like cafes and small restaurants.

- Ideal for low ceiling applications
- Baffle filters
- Manufactured entirely from high quality stainless steel with satin finish
- Fat collection drawer
- Easy clean design
- Heavy duty construction
- Rear or top exhaust as standard

1000/1200/1500/1800/2100/2400



The General Canopy

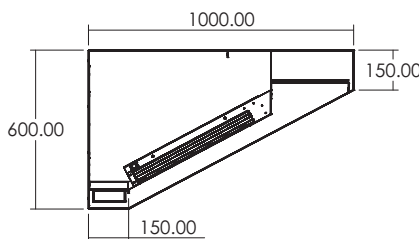


Image for illustrative purposes only - product may vary

Designed to meet the requirements of small to medium size catering environments.

- Baffle filters
- Manufactured entirely from high quality stainless steel with satin finish
- Fat collection drawer
- Easy clean design
- Heavy duty construction
- Rear or top exhaust as standard

1000/1200/1500/1800/2100/2400



The TITAN Canopy

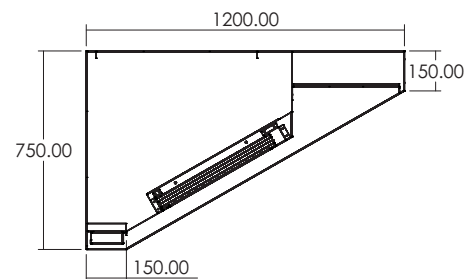


Image for illustrative purposes only - product may vary

A heavy duty solution for all large scale catering environments, like large hotels and hospitals.

- Baffle filters
- Manufactured entirely from high quality stainless steel with satin finish
- Fat collection drawer
- Easy clean design
- Heavy duty construction
- Rear or top exhaust as standard

1200/1500/1800/2100/2400



	Model No.	Dims (WxDxH)mm	Canopy	Pallets for Delivery
SNACK	ST1050	1000 x 810 x 500	£730	1
	ST1250	1200 x 810 x 500	£798	1
	ST1550	1500 x 810 x 500	£924	1
	ST1850	1800 x 810 x 500	£1,040	2
	ST2150	2100 x 810 x 500	£1,181	2
	ST2450	2400 x 810 x 500	£1,318	2
GENERAL	GT1010	1000 x 1000 x 600	£788	1
	GT1210	1200 x 1000 x 600	£866	1
	GT1510	1500 x 1000 x 600	£992	1
	GT1810	1800 x 1000 x 600	£1,078	1
	GT2110	2100 x 1000 x 600	£1,296	2
	GT2410	2400 x 1000 x 600	£1,496	2
TITAN	TT1275	1200 x 1200 x 750	£935	1
	TT1575	1500 x 1200 x 750	£1,066	1
	TT1875	1800 x 1200 x 750	£1,176	1
	TT2175	2100 x 1200 x 750	£1,355	2
	TT2475	2400 x 1200 x 750	£1,528	2



Canopy Delivery Making things easy

Canopies are big bits of kit and as such are delivered on a pallet by lorry. Because of this, please ensure that there is ample space for the delivery and easy access for the lorry on the day of delivery - things will go much smoother with a bit of pre-planning.

Because of the delivery requirements, all canopies have an additional delivery charge of £70 per pallet. Please refer to the specification table to the left for more information.

Step Two Specify your options...

External Fan Pack



Image for illustrative purposes only - product may vary

Internal Fan Pack



Image for illustrative purposes only - product may vary

Everything you need in one pack for external venting for our canopies.

- Systemair brand variable speed controller unit
- High quality fan unit
- Flanges

By choosing the internal fan pack, the fan system is easily installed inside your chosen canopy.

	Model No.	Ext Fan Pack	Int Fan Pack	Fans per canopy	Deluxe Light	Gas Interlock System
SNACK	ST1050	£617	£699	1	£262	POA
	ST1250	£617	£699	1	£262	POA
	ST1550	£735	£770	1	£305	POA
	ST1850	£735	£770	1	£305	POA
	ST2150	£898	£932	2	£326	POA
	ST2450	£898	£932	2	£326	POA
GENERAL	GT1010	£617	£699	1	£262	POA
	GT1210	£617	£699	1	£262	POA
	GT1510	£735	£770	1	£305	POA
	GT1810	£735	£770	1	£305	POA
	GT2110	£898	£932	2	£326	POA
	GT2410	£898	£932	2	£326	POA
TITAN	TT1275	£735	£770	1	£262	POA
	TT1575	£735	£770	1	£305	POA
	TT1875	£898	£840	1	£305	POA
	TT2175	£898	£932	2	£326	POA
	TT2475	£898	£932	2	£326	POA

What is a Gas Interlock System?

In short - it is a system that ensures the safety of your kitchen and staff by monitoring the air flow in your catering environment and can detect possibly dangerous situations where potential hazards may occur.

For more information about this system and its benefits call sales now or visit: www.blackteknigas.com/media/BT&EC_Provengas_Brochure_v5.pdf

Specify a Deluxe Light - see the benefits

Our deluxe lights for our canopies are designed to drastically increase the amount of light available directly underneath the canopy. Completely sealed and moisture proof whilst remaining easy to maintain, they are the perfect addition to any canopy.

- Easy to clean design
- Simple to maintain
- Fully fitted



Stainless Steel Corner Unit

- High quality stainless steel
- Ambient unit with hinged door to front
- Door can be made lockable
- Adjustable feet
- Removable internal triangular shelves
- Triangular shelves can be fitted in one of three positions inside the unit
- Designed for easy access and self assembly



CUPBD600

Image for illustrative purposes only - product may vary

Model No.	Dimensions (WxDxH)mm	Price
CUPBD600 - Stainless Steel Corner Unit	955x600x900mm	£987
CUPBD650 - Stainless Steel Corner Unit	1005x650x900mm	£1,042
CUPBD700 - Stainless Steel Corner Unit	1055x700x900mm	£1,097

Stainless Steel Drawer Unit

- High quality stainless steel
- Units have a 115mm gap to the back to allow for pipe work
- The top of the unit has a 60mm up stand and a 20mm return to the wall
- Fully galvanized internal structure



DRAWER4

Image for illustrative purposes only - product may vary

Model No.	Dimensions (WxDxH)mm	Price
DRAWER3 - 3 Drawer Stainless Steel Unit	700x700x900mm	£767
DRAWER4 - 4 Drawer Stainless Steel Unit	700x700x900mm	£877

Stainless Steel Urinal

- High quality stainless steel
- Wall hung
- Drain to right or left - specify when ordering (waste outlet on right unless specified)
- Available in a range of sizes
- Wipe clean stainless steel with attractive brushed finish



Drain plug to be specified on ordering
- left or right side position



URN1800

Image for illustrative purposes only - product may vary.
See page 43 for technical drawing.

Model No.	Dimensions (WxDxH)mm	Price
URN1800 - Stainless Steel Urinal	1800x280x630mm	£607
URN2400 - Stainless Steel Urinal	2400x280x630mm	£662

Stainless Steel Hinged Wall Cupboard

- High quality stainless steel
- Complete with 1 internal shelf
- Wall mounted



Model No.	(WxDxH)mm	Price
WCH450 - Stainless Steel Wall Cupboard - hinged	450x330x600mm	£431
WCH600 - Stainless Steel Wall Cupboard - hinged	600x330x600mm	£453
WCH750 - Stainless Steel Wall Cupboard - hinged	750x330x600mm	£463
Locks available - please specify when ordering		£60



WCH450

Image for illustrative purposes only - product may vary

Stainless Steel Sliding Door Wall Cupboard

- High quality stainless steel
- Complete with 1 internal shelf, 2 positions
- Wall mounted
- Mounting hole to rear



Model No.	(WxDxH)mm	Price
WCS900 - Stainless Steel Wall Cupboard - slide door	900x330x600mm	£541
WCS1200 - Stainless Steel Wall Cupboard - slide door	1200x330x600mm	£585
WCS1500 - Stainless Steel Wall Cupboard - slide door	1500x330x600mm	£617
WCS1800 - Stainless Steel Wall Cupboard - slide door	1800x330x600mm	£639
Locks available - please specify when ordering		£60



WCS900

Image for illustrative purposes only - product may vary

Stainless Steel Speed Rails

- High quality stainless steel
- Pre drilled mounting holes
- Wall or unit mounting



Model No.	(WxDxH)mm	Price
SR600 - Stainless Steel Speed Rail	610x100x150mm	£105
SR750 - Stainless Steel Speed Rail	760x100x150mm	£110
SR900 - Stainless Steel Speed Rail	910x100x150mm	£116
SR1200 - Stainless Steel Speed Rail	1210x100x150mm	£122



SR600

Image for illustrative purposes only - product may vary

The easiest way to get a fully assembled sink.

Stainless Steel Assembled Sinks

- All sinks supplied with 11" stainless steel upright plug as standard - deluxe version available with metal shroud at £47 list
- Supplied with black upright plug as standard
- Complete with undershelf and standard frame
- All unit tops made from high quality stainless steel
- Voids available on request

Please Note: Sinks are NOT supplied with taps - please specify when ordering. One hole cut for taps placement as standard - if you require any other configuration please ask.



SINK1060L

Image for illustrative purposes only - product may vary.
See page 43 for technical drawing.



SINK1860DBDD

Image for illustrative purposes only - product may vary.
See page 43 for technical drawing.



SINK0860SBND

Image for illustrative purposes only - product may vary.
See page 39 for technical drawing.



SINKD1660SBDD

Image for illustrative purposes only - product may vary.
See page 43 for technical drawing.



SINK1870DBLHD

Image for illustrative purposes only - product may vary.
See page 43 for technical drawing.



Fully Assembled Delivery Charges

Fully assembled sinks take the hassle out of having to put the equipment together yourself but it does mean that we have to charge for delivery. All fully assembled sinks have a £20 delivery charge, please remember this when ordering.

Step One Choose Your Sink Unit...

Model No.	Description	Full Unit Dimensions	Bowl Dimensions	Full Unit Price	Sink Top Price
SINK1060L	Single Bowl Single Drainer Left	1000x600x900	400x400x300	£598	£344
SINK1060R	Single Bowl Single Drainer Right	1000x600x900	400x400x300	£598	£344
SINK1070SBL	Single Bowl Single Drainer Left	1000x700x900	500x500x300	£598	£344
SINK1070SBR	Single Bowl Single Drainer Right	1000x700x900	500x500x300	£598	£344
SINK1260L	Single Bowl Single Drainer Left	1200x600x900	400x400x300	£640	£367
SINK1260R	Single Bowl Single Drainer Right	1200x600x900	400x400x300	£640	£367
SINK1270L	Single Bowl Single Drainer Left	1200x700x900	500x500x300	£682	£368
SINK1270R	Single Bowl Single Drainer Right	1200x700x900	500x500x300	£682	£368
SINK1470L	Single Bowl Single Drainer Left	1400x700x900	500x500x300	£820	£438
SINK1470R	Single Bowl Single Drainer Right	1400x700x900	400x400x300	£820	£438
SINKD1560BDL	Double Bowl Single Drainer Left	1500x600x900	400x400x300	£1,024	£467
SINKD1560DBR	Double Bowl Single Drainer Right	1500x600x900	400x400x300	£1,024	£467
SINKD1870BDL	Double Bowl Single Drainer Left	1800x700x900	500x500x300	£1,170	£595
SINKD1870DBR	Double Bowl Single Drainer Right	1800x700x900	500x500x300	£1,170	£595
SINK1260SBDD	Single Bowl Double Drainer	1200x600x900	400x400x300	£660	£367
SINK1660SBDD	Single Bowl Double Drainer	1600x600x900	400x400x300	£770	£400
SINK1270SBDD	Single Bowl Double Drainer	1200x700x900	400x400x300	£703	£368
SINK1860DBDD	Double Bowl Double Drainer Sink	1800x600x900	500x400x300	£1,186	£600
SINK2470DBDD	Double Bowl Double Drainer Sink	2400x700x900	600x500x300	£1,225	£700
SINK0860SBND	Single Bowl No Drainer Sink	800x600x900	500x400x300	£585	£245
SINK0870SBND	Single Bowl No Drainer Sink	800x700x900	500x600x300	£619	£265

Please Note: Other bowl sizes are available. We also stock a 650mm deep option - Call Sales for more information.

Step Two Choose Extras...

Model No.	Description	Dimensions	Price
UPSTAND	Extra Upstand Left Or Right	-	£53
DRAW1	Single Drawer Unit For Table	-	£142
SD800	Sliding Doors	800mm - 1500mm	£360
SD1600	Sliding Doors	1600mm - 2400mm	£385
SHELF800	Extra Shelf	800mm - 1500mm	£180
SHELF1600	Extra Shelf	1600mm - 2100mm	£190
SP800	Side Panels Left Or Right	800mm - 1500mm	£60
SP1600	Side Panels Left Or Right	1600mm - 2100mm	£97
SCRAP	Scraphole & Ring	-	£92
SBBOWL	Splashback For Behind Bowl	-	£85
SB1500	Splashback 1500mm	1500mm	£130
SB1800	Splashback 1800mm	1800mm	£155
SB2400	Splashback 2400mm	2400mm	£185
WASTE	Standard Waste For Sink (Black 11")	-	£16
DWASTE	Deluxe Waste For Sink (11" Black With Metal Shroud)	-	£47
FREST	Foot Rest Or Tie Bar	-	£47



PRE RINSE DECKS SPRAYARMSING SPRAYARMTWIN PRE RINSE DECK WITH FAUCET



JANMIXER PILLARTAPS Also available as lever taps. BASINTAPS

Step One Choose Taps

Model No.	Description	Price
BASINTAPS	Basin Taps, 12.25mm (1/2"), Set	£34
PILLARTAPS	Pillar Taps, 8mm (1/3"), Set	£45
DECKMIXER	Deck Mixer Tap, 12.25mm (1/2")	£86
DECKMIXER WITH LEVER	Deck Mixer Tap, 12.25mm (1/2") With Lever	£237
PRE RINSE DECK	Deck Pre-rinse Spray Arm	£309
PRE RINSE DECK WITH FAUCET	Deck Pre-rinse Spray Arm With Faucet	£548
SPRAYARMSING	Single Feed Pre-rinse Spray Arm	£273
SPRAYARMTWIN	Twin Feed Pre-rinse Spray Arm	£251
JANMIXER	Monoblock Mixer For Janitorial Unit	£83
JANMIXER WITH LEVER	Monoblock Mixer For Janitorial Unit With Lever	£154



DECK MIXER WITH LEVER MIXERTAPS JANMIXER WITH LEVER

The easiest way to get a self assembly sink.

Stainless Steel Self Assembly Sinks

- All sinks supplied with 11" stainless steel upright plug as standard - deluxe version available with metal shroud at £47 list
- 1mm thick tops
- High quality stainless steel tops
- Complete with 1 undershelf
- Adjustable feet
- Valance included as standard

Please Note: Sinks are NOT supplied with taps - please specify when ordering. One hole cut for taps placement as standard - if you require any other configuration please ask.



SINK1660SBDDFP

Image for illustrative purposes only - product may vary. See page 43 for technical drawing.



SINK1860DBDDFP

Image for illustrative purposes only - product may vary. See page 43 for technical drawing.



SINK1060RFP

Image for illustrative purposes only - product may vary. See page 43 for technical drawing.



SINK1560DBLFP/RFP

Image for illustrative purposes only - product may vary. See page 43 for technical drawing.

Step One Choose Your Sink Unit...

Model No.	Description	Full Unit Dimensions	Bowl Dimensions	Full Unit Price	Sink Top Price
SINK1060LFP	Single Bowl Single Drainer Left	1000x600x900	400x400x300	£577	£344
SINK1060RFP	Single Bowl Single Drainer Right	1000x600x900	400x400x300	£577	£344
SINK1070SBLFP	Single Bowl Single Drainer Left	1000x700x900	500x500x300	£577	£344
SINK1070SBRFP	Single Bowl Single Drainer Right	1000x700x900	500x500x300	£577	£344
SINK1260LFP	Single Bowl Single Drainer Left	1200x600x900	400x400x300	£619	£367
SINK1260RFP	Single Bowl Single Drainer Right	1200x600x900	400x400x300	£619	£367
SINK1270LFP	Single Bowl Single Drainer Left	1200x700x900	500x500x300	£666	£368
SINK1270RFP	Single Bowl Single Drainer Right	1200x700x900	500x500x300	£666	£368
SINK1470LFP	Single Bowl Single Drainer Left	1400x700x900	500x500x300	£791	£438
SINK1470RFP	Single Bowl Single Drainer Right	1400x700x900	500x500x300	£791	£438
SINK1660SBDFFP	Single Bowl Double Drainer	1600x600x900	400x400x300	£741	£400
SINK1560DBLFP/RFP	Double Bowl Single Drainer	1500x600x900	400x400x300	£956	£467
SINK1570DBLFP/RFP	Double Bowl Single Drainer	1500x700x900	500x400x300	£1,017	£544
SINK1860DBDFFP	Double Bowl Double Drainer Sink	1800x600x900	500x400x300	£1,108	£595
SINK1870DBDFFP	Double Bowl Double Drainer Sink	1800x700x900	500x400x300	£1,177	£650

Please Note: Other bowl sizes are available. We also stock a 650mm deep option - Call Sales for more information.

Step Two Choose Extras...

Model No.	Description	Dimensions	Price
UPSTAND	Extra Upstand Left Or Right	-	£53
VAL800	Valance 800mm - 1500mm	-	£72
VAL1600	Valance 1600mm - 2400mm	-	£115
DRAW1	Single Drawer Unit For Table	-	£142
SD800	Sliding Doors 800mm - 1500mm	-	£360
SD1600	Sliding Doors 1600mm - 2400mm	-	£385
SHELF800	Extra Shelf 800mm - 1500mm	-	£180
SHELF1600	Extra Shelf 1600mm - 2100mm	-	£190
SP800	Side Panels Left Or Right 800mm - 1500mm	-	£60
SP1600	Side Panels Left Or Right 1600mm - 2100mm	-	£97
SCRAP	Parry, Scraphole & Ring	-	£92
SBBOWL	Splashback For Behind Bowl	-	£85
SB1500	Splashback 1500mm	-	£130
SB1800	Splashback 1800mm	-	£155
SB2400	Splashback 2400mm	-	£185
WASTE	Standard Waste For Sink (Black 11")	-	£16
DWASTE	Deluxe Waste For Sink (11" Black With Metal Shroud)	-	£47
FREST	Foot Rest Or Tie Bar	-	£47



PRE RINSE DECKS SPRAYARMSING SPRAYARMTWIN PRE RINSE DECK WITH FAUCET



JANMIXER PILLARTAPS BASINTAPS

Also available as lever taps.

Step Three Choose Taps

Model No.	Description	Price
BASINTAPS	Basin Taps, 12.25mm (1/2"), Set	£34
PILLARTAPS	Pillar Taps, 8mm (1/3"), Set	£45
DECKMIXER	Deck Mixer Tap, 12.25mm (1/2")	£86
DECKMIXER WITH LEVER	Deck Mixer Tap, 12.25mm (1/2") With Lever	£237
PRE RINSE DECK	Deck Pre-rinse Spray Arm	£309
PRE RINSE DECK WITH FAUCET	Deck Pre-rinse Spray Arm With Faucet	£548
SPRAYARMSING	Single Feed Pre-rinse Spray Arm	£273
SPRAYARMTWIN	Twin Feed Pre-rinse Spray Arm	£251
JANMIXER	Monoblock Mixer For Janitorial Unit	£83
JANMIXER WITH LEVER	Monoblock Mixer For Janitorial Unit With Lever	£154



DECK MIXER WITH LEVER MIXERTAPS JANMIXER WITH LEVER

Stainless Steel Knee Operated Hand Wash Basin

- Fully stainless steel
- Operated by a simple knee push
- Designed to reduce contamination
- Complete with a waste & plug

Supplied with Waste and Plug and Tap



Model No.	Dimensions (WxDxH)	Bowl Size	Price
CWBKNEE - Wash Hand Basin	400x330x560mm	410x330x130mm	£267



CWBKNEE

Image for illustrative purposes only - product may vary

Stainless Steel Hand Wash Sinks

- Fully stainless steel
- Complete with a waste & plug

Please Note: Sinks are NOT supplied with taps - please specify when ordering.

One hole cut for taps placement as standard - if you require any other configuration please ask.



Model No.	Dimensions (WxDxH)mm	Price
CWBHANDI	270x330x140	£137
CWBHANDI/T (with taps)	270x330x140	£152
CWBMIN	305x270x140	£80
CWBMIN/T (with taps)	305x270x140	£98



CWBHANDI/T

Image for illustrative purposes only - product may vary

Stainless Steel Janitorial Sinks

- Fully stainless steel
- Complete with a waste & plug

Supplied with Waste and Plug and Tap



Model No.	Dimensions (WxDxH)	Bowl Size	Price
JANUNIT	500x700x930mm upper bowl: 229x356x180	lower bowl: 432x356x180mm	£760



JANUNIT with jan mixer taps

Image for illustrative purposes only - product may vary



MWBD

Image for illustrative purposes only - product may vary



MWB

Image for illustrative purposes only - product may vary



MWB & MWBD Single & Double Bowl Mobile Wash Hand Basins

- Mobile sink for outside catering with 25 litres capacity
- Available in both single & double versions
- 3kW & supplied with a 13amp plug (600W element available)
- The unit can be wiped out easily.
- Waste water tank is easily removable for emptying.
- Water temperature is kept at 42 degrees for comfort and safety.
- Foot operated pump activates the tap for maximum hygiene
- Wheels on the back of the unit allow it to be tipped back and wheeled to a different location when the sink is not in use.
- Handle fitted to the back of the unit make it easy to move around.
- Pressure cut out prevents hot water tank from boiling dry.

Optional Extras

- Splash Back £50
- Paper Towel Holder £35
- Soap Dispenser Holder £35



Model No.	Dimensions (WxDxH)	Rating	Weight	Price
MWB - Single Bowl Mobile Wash Hand Basin	553x504(545 incl handles)x860mm	3.0kW	20kg	£735
MWBD - Double Bowl Mobile Wash Hand Basin	1047x545x860mm	3.0kW	40kg	£1,440

Stainless Steel Utility Sink

- High quality stainless steel
 - Wipe clean stainless steel with attractive brushed finish
 - Available in a range of sizes
 - Splash back available
 - Taps can be fitted to either the wall facia or mounted upright onto the unit - please specify at time of ordering
- Please Note: Sinks are NOT supplied with taps - please specify when ordering.**



USINK600

Image for illustrative purposes only - product may vary.
See page 43 for technical drawing.

Model No.	Dims (WxDxH)mm	Price
USINK600 - Stainless Steel Utility Sink	600x700x1265mm	£578
USINK1200 - Stainless Steel Utility Sink	1200x700x1265mm	£709



Spray Decks



Taps

Stainless Steel Scrub Sink

- High quality stainless steel
- Chrome plated lever tap for ease of operation and reduction of cross contamination
- Drain to right or left - specify when ordering (waste outlet on right unless specified)
- Wipe clean stainless steel with attractive brushed finish
- Available in a range of sizes

Please Note: Sinks are NOT supplied with taps - please specify when ordering.



SCRUB600

Image for illustrative purposes only - product may vary.
See page 43 for technical drawing.



Chrome plated lever tap reduction of cross contamination

Model No.	Dims (WxDxH)mm	Price
SCRUB600 - Stainless Steel Scrub Sink	600x350x580mm	£895
SCRUB1200 - Stainless Steel Scrub Sink	1200x350x580mm	£1,195

Stainless Steel Cladding



High quality stainless steel cladding, perfect for a wide range of applications from Parry.

If you are looking for high quality stainless steel cladding we can help! Our range of cladding products are designed to offer you complete flexibility and choice to ensure that whatever

your needs are, they're met. Our off the shelf range covers all of the most popular cladding required sizes that our customers regularly ask for. However, if there is something that you need

that's not on the list, not a problem. Our bespoke service is only a phone call away and ready to make any item at a specific size, just call sales now to discuss your requirements.

Description	Price	Description	Price	Description	Price
Stainless Steel Cladding		Stainless Steel Kick Plates		Stainless Steel Note Boards	
2000mm x 1000mm S/S sheet	£108	800mm x 300mm	£35	1000mm x 1000mm	£98
2500mm x 1250mm S/S sheet	£169	800mm x 400mm	£47	1000mm x 500mm	£49
2000mm external corner section	£33	800mm x 500mm	£59	500mm x 500mm	£29
2000mm internal corner section	£33	1000mm x 300mm	£44	Cutting Services	
Stainless Steel Splashbacks		1000mm x 400mm	£59	Standard socket cut out	£17
600mm x 450mm	£52	1000mm x 500mm	£78	Chamfer	£33
600mm x 1000mm	£72			Screw holes	
900mm x 800mm	£98			4 or below on any order	FREE
1100mm x 800mm	£116			(50p per hole thereafter.)	



Cladding Delivery Making things easy

Cladding can be big and as such it is delivered on a pallet by lorry. Because of this, please ensure that there is ample space for the delivery and easy access for the lorry on the day of delivery - things will go much smoother with a bit of pre-planning.

Because of the delivery requirements, all cladding has an additional delivery charge of £70 per pallet. Please refer to the specification table to the left for more information.

Bespoke Service

This item can be made to order. What ever size you need our bespoke service can build it to your exact size requirements. Call for a quote now.



The easiest way to get the perfect warewashing tables.

Cleans Tabling

Made from high quality stainless steel, our cleans tabling is available in a wide selection of standard, off-the-shelf lengths and can be specified with shelving and storage racks.

If you need one at a specific length our bespoke team is always on hand!

Dirtyies Tables

Just like our Cleans Tables, all of our dirtyies tables are made from high quality stainless steel and can be specified with a wide range of bowl, tap and accessory options to ensure you get the perfect table for your needs.



Image for illustrative purposes only - product may vary

Cleans Tables

Step One Choose Cleans Table...

Model No.	Dimensions (WxDxH)mm	Price
DWC700	700x700x880mm	£357
DWC1000	1000x700x880mm	£441
DWC1200	1200x700x880mm	£500
DWC1500	1500x700x880mm	£530
DWC1800	1800x700x880mm	£590
DWC2100	2100x700x880mm	£650

Step Two Optional Extras...

Model No.	Description	Price
DWSHELF	Shelf For Dishwash Tabling	£45
DWRACK3	3 Rack Storage For Dishwash Tabling	£60

Custom made tabling for ANY brand or model.

Whatever make or model of ware washing equipment you have, we can make tabling to fit both its and your needs perfectly. All we require is the profile for the entry of the equipment and we do the rest. Simple, straight forward and hassle free.

For more information about bespoke tabling call sales now.



Dirtyies Tables

Step One Choose Dirtyies Table...

Model No.	Dimensions (WxDxH)mm	Price
DWD1000	1000x700x880mm	£441
DWD1200	1200x700x880mm	£500
DWD1500	1500x700x880mm	£530
DWD1800	1800x700x880mm	£590
DWD2100	2100x700x880mm	£650
DWD2400	2400x700x880mm	£650

Step Three Choose Extras...

Model No.	Description	Dims (WxDxH)mm	Price
SCRAP	Scraphole & Ring	-	£92
SBBOWL	Splashback For Behind Bowl	-	£85
SB1500	Splashback	1500mm	£130
SB1800	Splashback	1800mm	£155
SB2400	Splashback	2400mm	£185
DWSHELF	Shelf For Dishwash Tabling	-	£45
DWRACK3	3 Rack Storage For Dishwash Tabling	-	£60

Step Two Choose Bowl size...

Model No.	Dimensions (WxDxH)mm	Price
BOWL400	400x300x400	£310
BOWL500	500x300x400	£325
BOWL600	600x300x400	£350

Step Four Choose Taps

Model No.	Description	Price
BASINTAPS	Basin Taps, 12.25mm (1/2"), Set	£34
PILLARTAPS	Pillar Taps, 8mm (1/3"), Set	£45
DECKMIXER	Deck Mixer Tap, 12.25mm (1/2")	£86
DECKMIXER WITH LEVER	Deck Mixer Tap, 12.25mm (1/2") With Lever	£237
PRE RINSE DECK	Deck Pre-rinse Spray Arm	£309
PRE RINSE DECK WITH FAUCET	Deck Pre-rinse Spray Arm With Faucet	£548
SPRAYARMSING	Single Feed Pre-rinse Spray Arm	£273
SPRAYARMTWIN	Twin Feed Pre-rinse Spray Arm	£251
JANMIXER	Monoblock Mixer For Janitorial Unit	£83
JANMIXER WITH LEVER	Monoblock Mixer For Janitorial Unit With Lever	£154

Put the table you need together. Simple!

At Parry we always try and make choosing the right equipment to fit your needs as easy as possible - this goes for our cleans and dirtyies tables too.

Configuration Example

DWD1000 £441 (table base unit)
 Then add a BOWL400 £310 (400x300x400mm bowl unit)
 and then add an SBBOWL £85 (bowl splashback) and then add a
 SPRAYARMSING £273 (single arm spray deck)
Total price £1,109



PRE RINSE DECKS



SPRAYARMSING



SPRAYARMTWIN



PRE RINSE DECK WITH FAUCET



All of our tabling, bowls, splashbacks, racking and shelving is made in Britain.



DECK MIXER WITH LEVER



MIXERTAPS



JANMIXER WITH LEVER



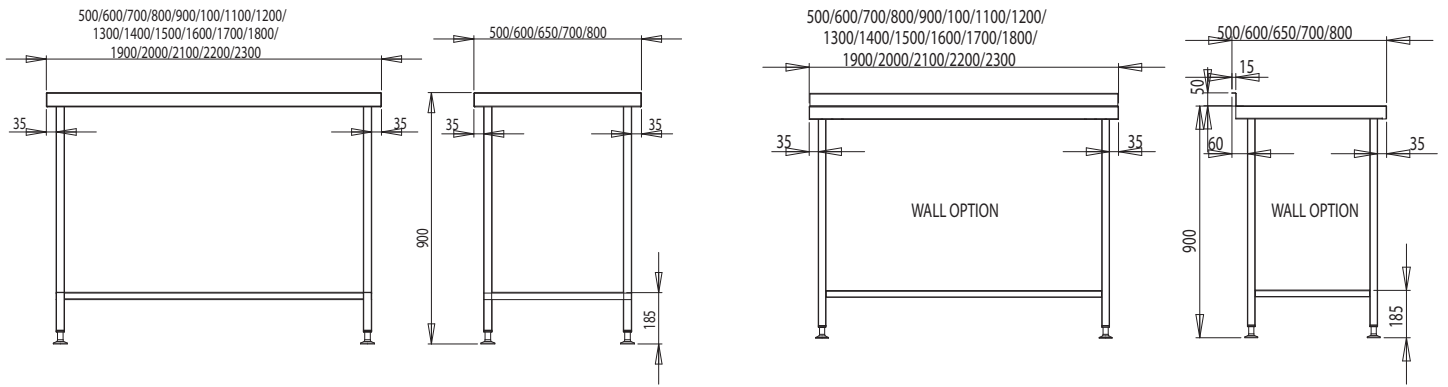
JANMIXER



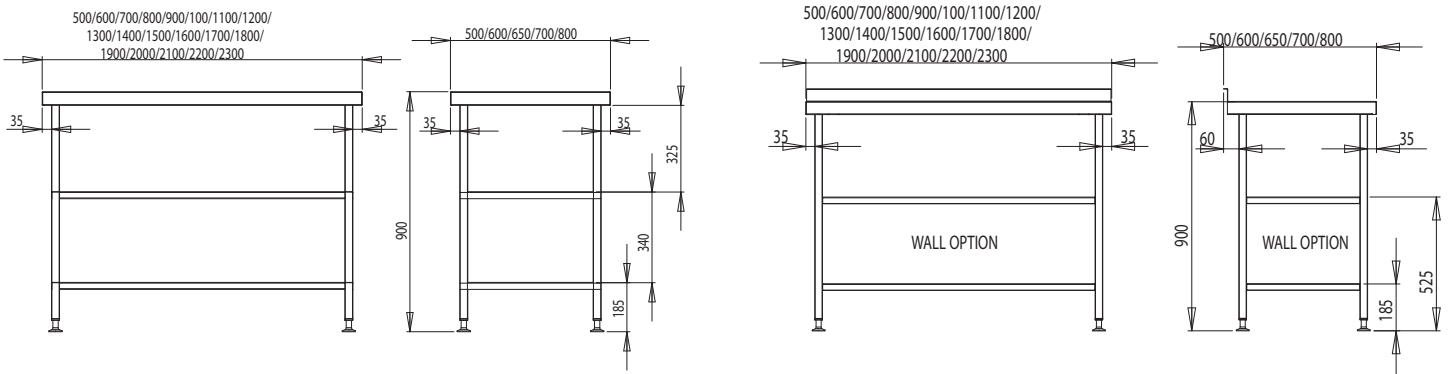
PILLARTAPS
Also available as lever taps.



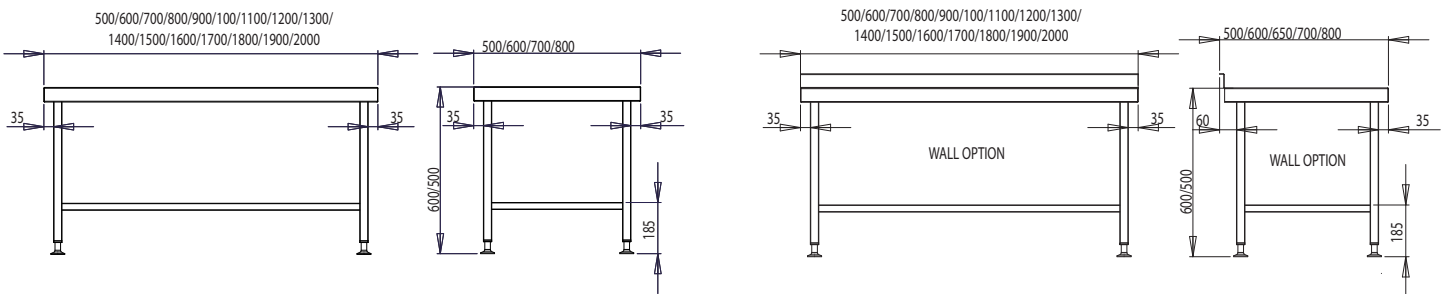
BASINTAPS



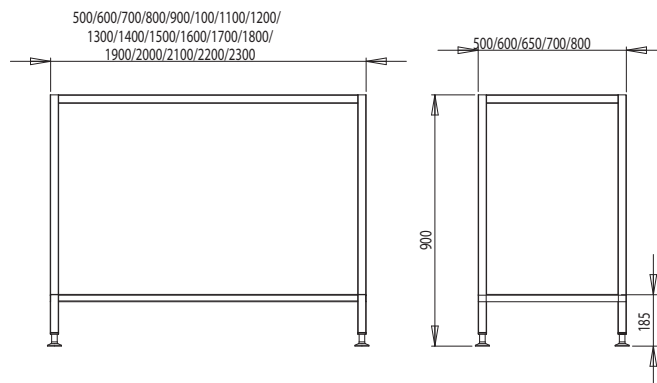
Stainless Steel Tables with One Undershelf - Page 5



Stainless Steel Tables with Two Undershelves - Page 10

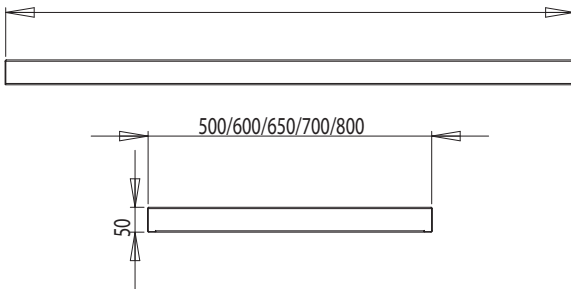


Stainless Steel Low Table - Page 11

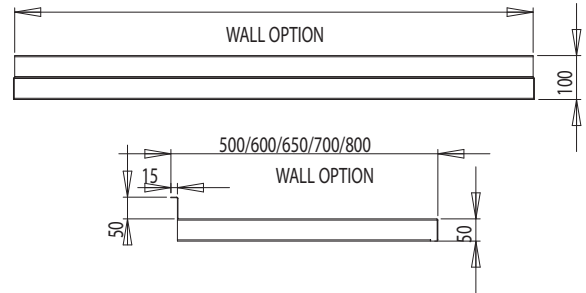


Stainless Steel Appliance Support Table with One Undershelf - Page 12

500/600/700/800/900/1000/1100/
1200/1300/1400/1500/1600/1700/
1800/1900/2000/2100/2200/2300/

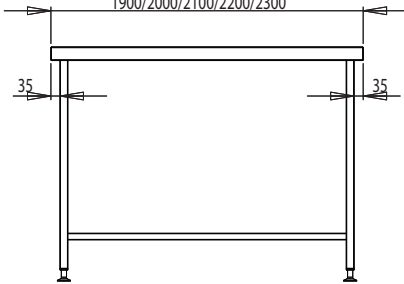


500/600/700/800/900/1000/1100/
1200/1300/1400/1500/1600/1700/
1800/1900/2000/2100/2200/2300/

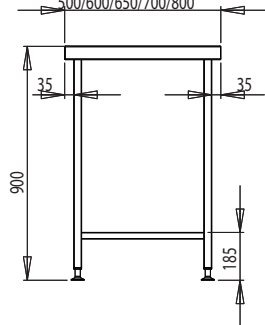


Stainless Steel Table Tops - Page 13

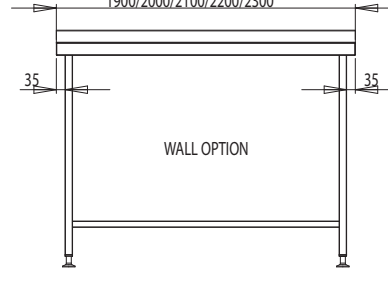
500/600/700/800/900/100/1100/1200/
1300/1400/1500/1600/1700/1800/
1900/2000/2100/2200/2300



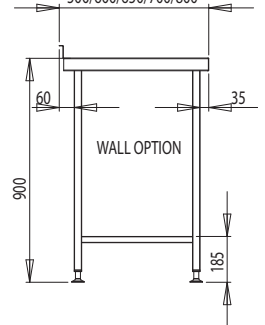
500/600/650/700/800



500/600/700/800/900/100/1100/1200/
1300/1400/1500/1600/1700/1800/
1900/2000/2100/2200/2300

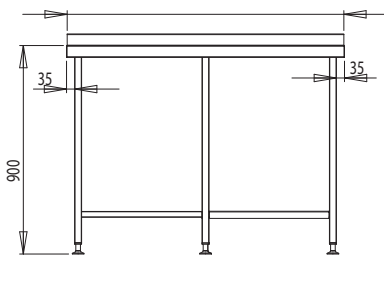


500/600/650/700/800

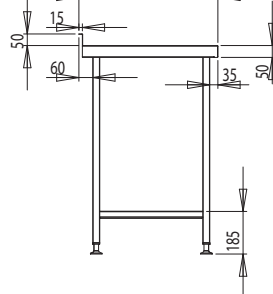


Stainless Steel Tables with Void - Page 14

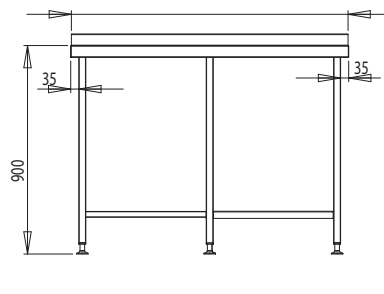
1000/1100/1200/1300/1400/1500/1600/1700/
1800/1900/2000/2100/2200/2300



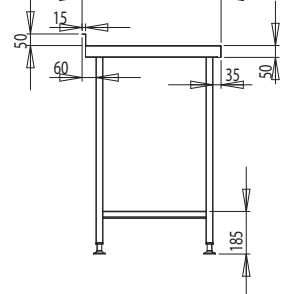
500/600/650/700/800



1000/1100/1200/1300/1400/1500/1600/1700/
1800/1900/2000/2100/2200/2300

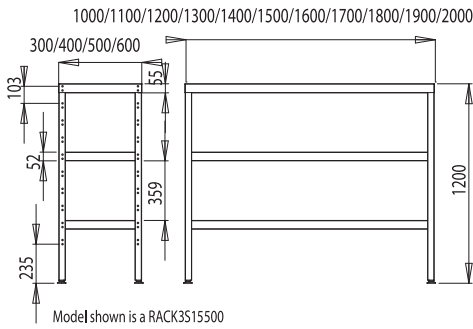


500/600/650/700/800

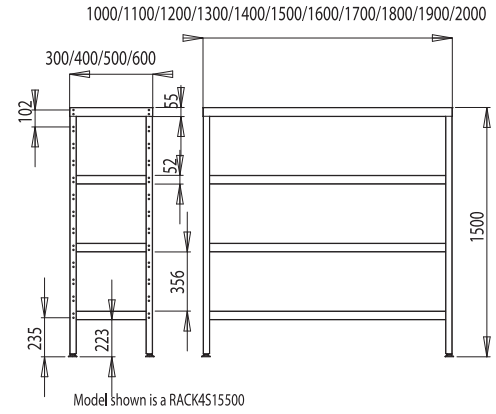


**Stainless Steel Table with Half Undershelf
(left side) - Page 15**

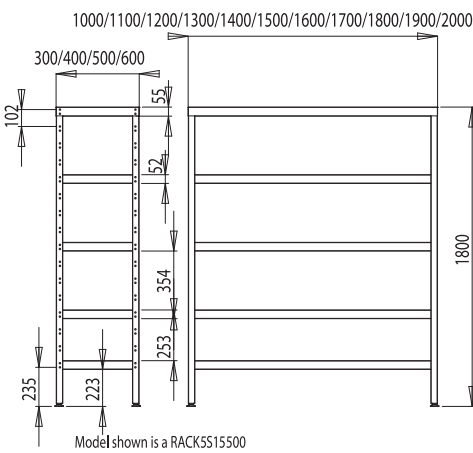
**Stainless Steel Table with Half Undershelf
(right side) - Page 16**



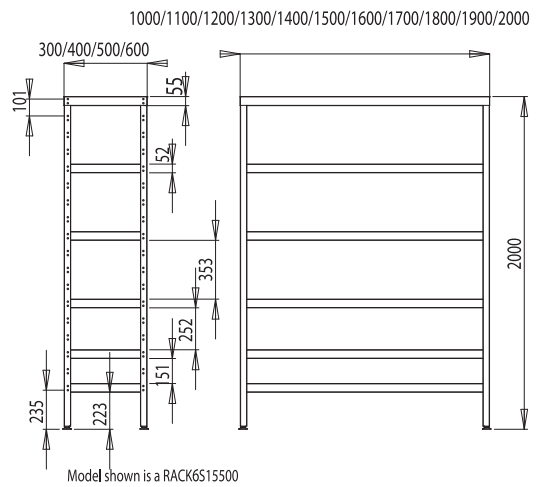
Stainless Steel Storage Racks with 3 Shelves and Adjustable Feet - Page 17



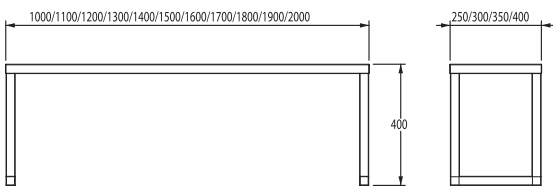
Stainless Steel Storage Racks with 3 Shelves and Adjustable Feet - Page 18



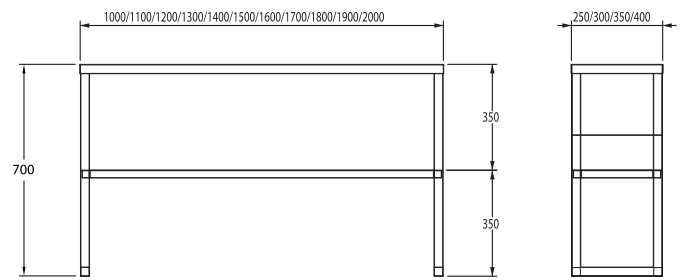
Stainless Steel Storage Racks with 5 Shelves and Adjustable Feet - Page 19



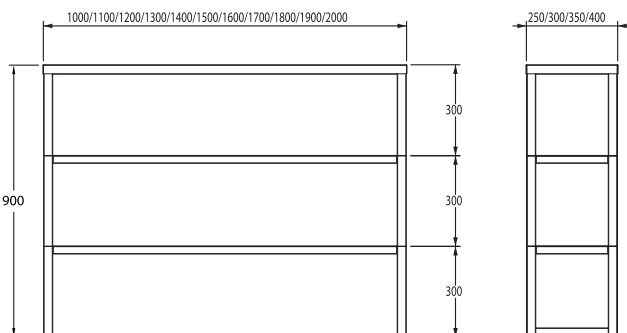
Stainless Steel Storage Racks with 3 Shelves and Adjustable Feet - Page 20



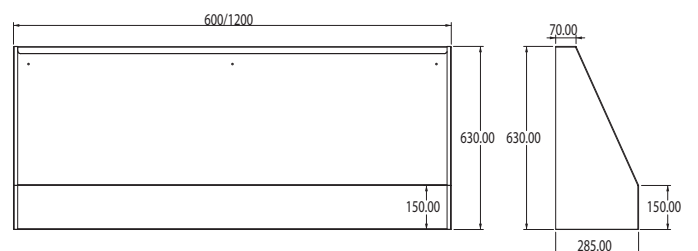
Stainless Steel Chef's Rack Single Tier - Page 21



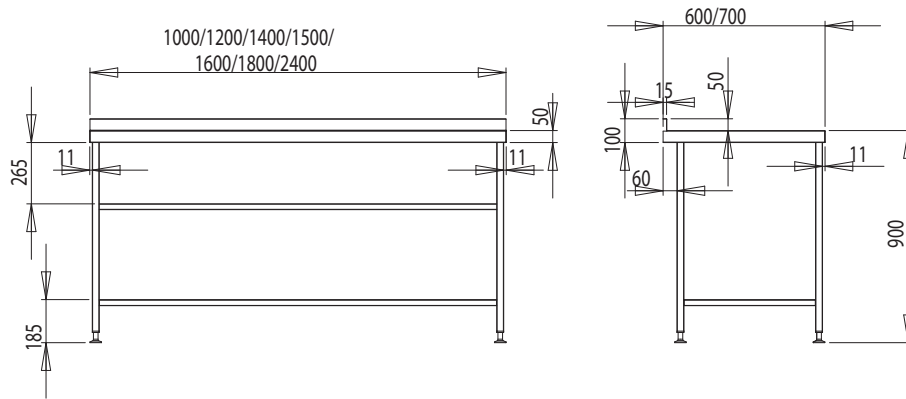
Stainless Steel Chef's Rack Double Tier - Page 22



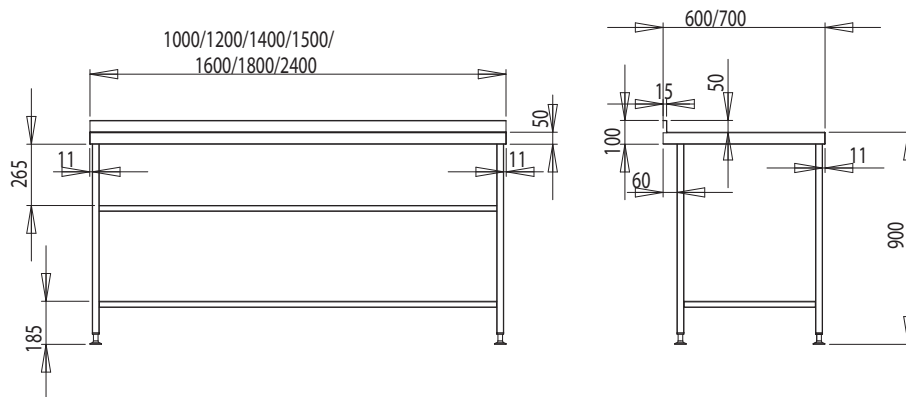
Stainless Steel Chef's Rack Triple Tier - Page 23



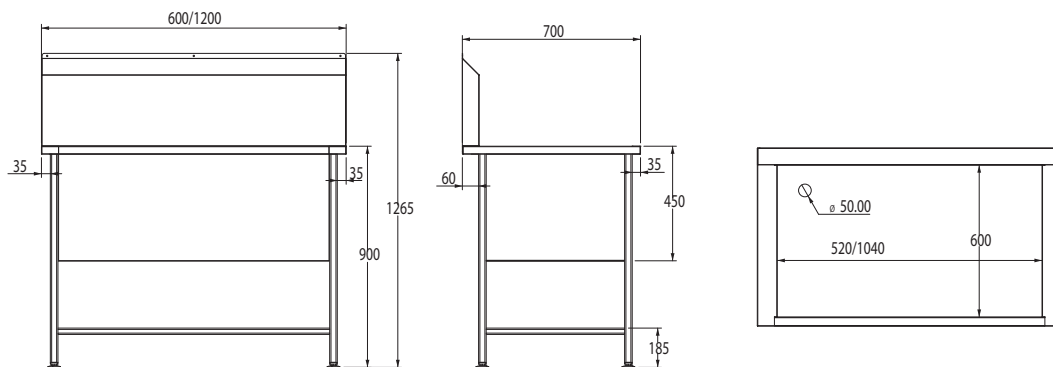
Stainless Steel Urinal - Page 24



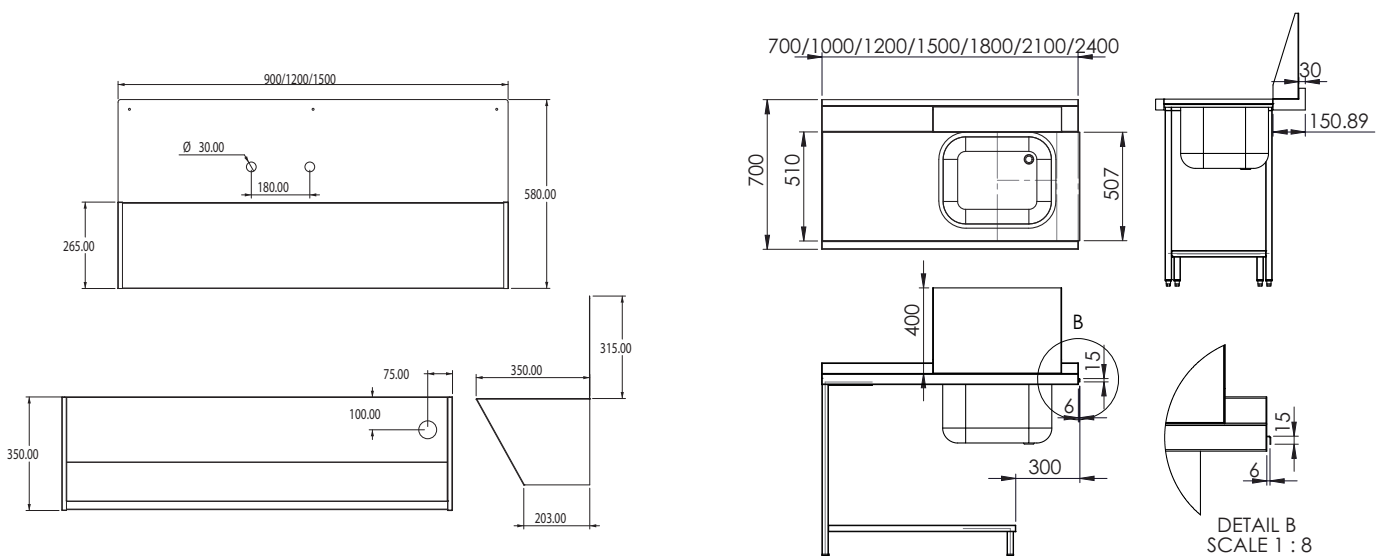
Stainless Steel Fully Assembled Sink - Page 30



Stainless Steel Self Assembly Sink - Page 32



Stainless Steel Utility Sink - Page 36



Stainless Steel Scrub Sink - Page 36

Stainless Steel Entry Table - Page 38

DESIGNED
TO BE THE
BEST



A division of the Parry Group
Sales Tel: 01332 875544 Fax: 01332 874455
Town End Road, Draycott, Derby DE72 3PT

www.parry.co.uk