

## Metcalfe Slicers

NSV250, NSV300, NSV350  
(Medium Duty Vertical Slicer)  
(10", 12" & 14" Inch)

### Installation, Operating Instructions



(Model Shown NSV250 & NSV300)

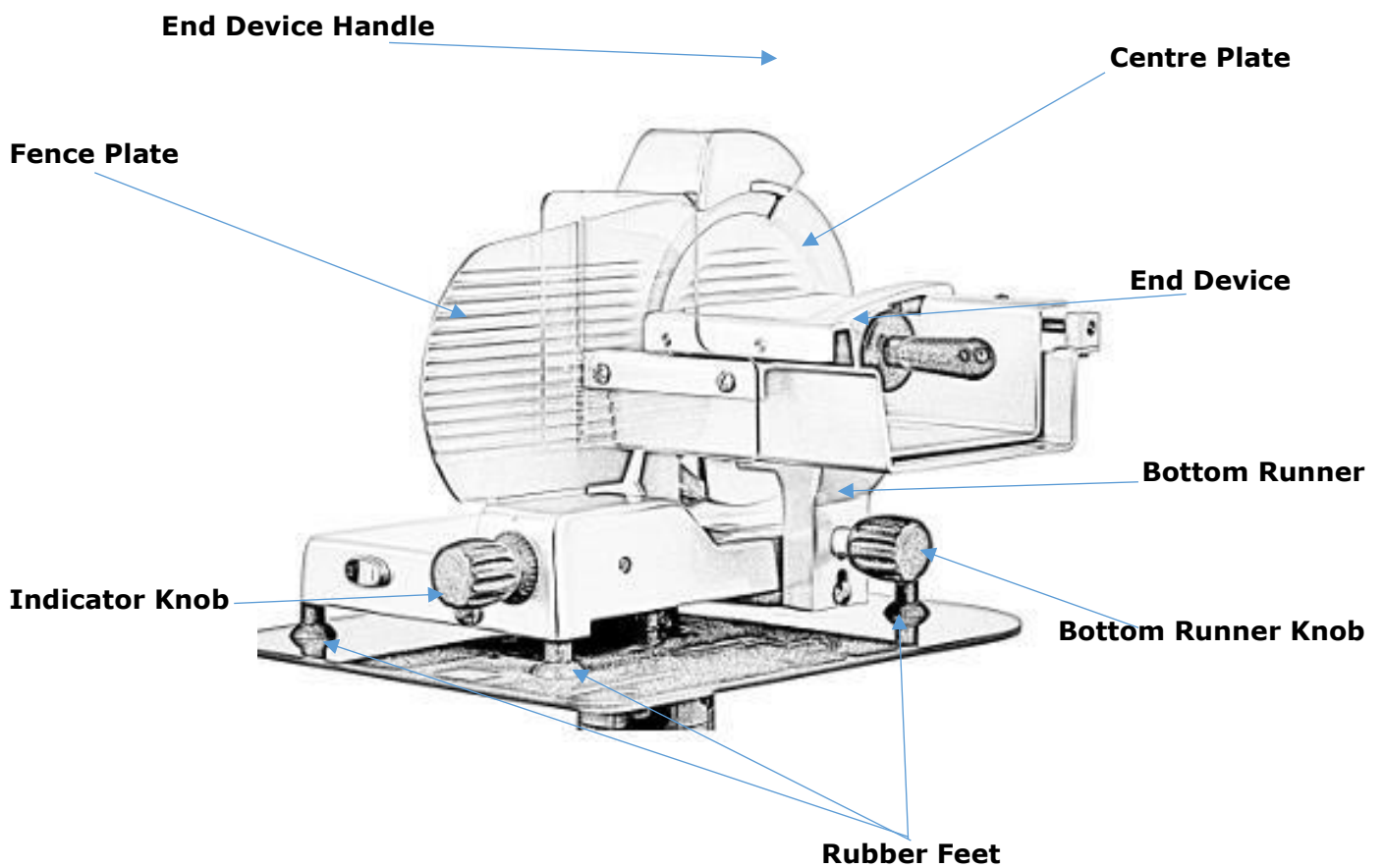
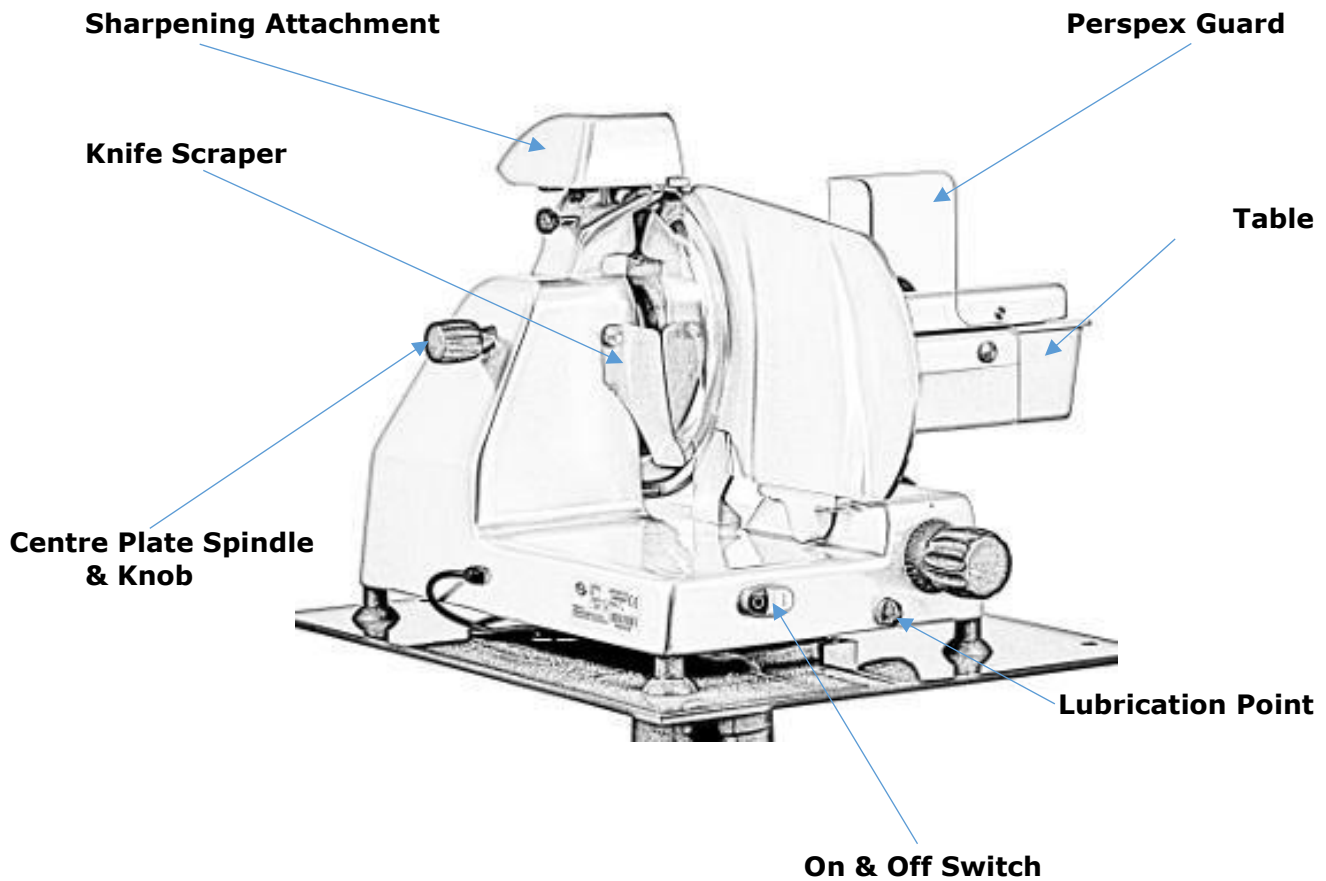


(Model Shown NSV350)

# Index

Your Slicer.....	2
NSV250 - Technical Data Sheet.....	3
NSV300 - Technical Data Sheet.....	4
NSV350 - Technical Data Sheet.....	5
Optional Extras.....	6
Installation.....	7
Unpacking.....	7
Installation.....	7
Operation.....	7
Cleaning Instructions.....	8
Disassembly & Cleaning.....	8
Reassembly after Cleaning.....	9
Removing the Knife.....	9
Sharpening the Knife.....	10
Preparing for Sharpening.....	10
Sharpening the Knife (NSV250 & NSV300 Only).....	10
Sharpening the Knife (NSV350 Only).....	11
Slicer Safety Tips.....	12
Suitable Product for Slicing.....	12
Troubleshooting.....	13
Maintenance .....	13
Breakdown Drawing & Part List.....	14
Spares & Service Contact Details.....	15
Warranty Terms.....	16
Notes.....	17-18
Electrical PAT Test Certificate.....	19

## Your Slicer



(Image may differ to actual slicer)

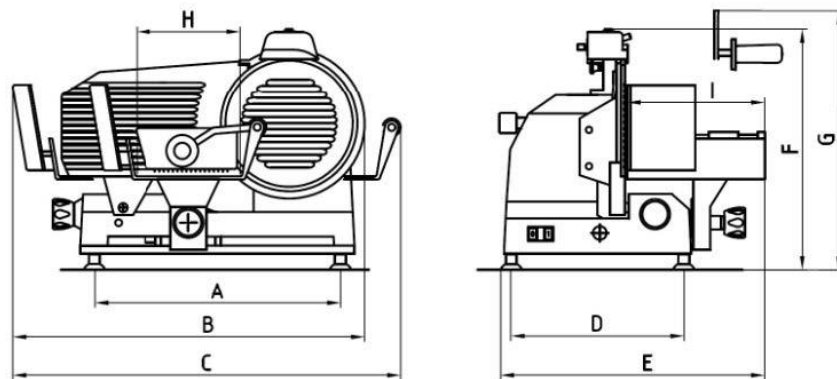
# Metcalfe NSV250 Medium Duty (10" Inch)

## Features

- High quality, vertical slicer
- Designed for light to medium duty usage. Ideally suited to smaller shops, delis, cafes, restaurants and small school kitchens
- Large product support surface and high side walls are ideal for slicing fresh meat and ham
- Ideal for precision slicing and delicate meats
- Hollow ground chromed carbon steel blade
- Easy set thickness control, cuts from 0 to 13mm for precision cut
- Powerful twin poly 'V' belt driven transmission gives a smooth cutting action and silent running
- Easy set thickness control allows for precision slicing
- Built-in sharpening unit
- Carriage slides on ball bearings for smooth carriage glide
- Anodised aluminium body is hygienic and durable
- Table, Bottom Runner, Centre Plate, Knife and Sharpening unit are detachable for easy, safe cleaning
- CE Approved

## Technical Specifications

Model	Weight (kg)	Blade Diameter	Electrical Supply	Power (kW)	Dimensions (mm) H x W x D
<b>NSV250</b>	21	250 mm	220 / 240V 50Hz	0,180	490 x 710 x 640



**Dimensions**

A – Feet Distance	470 mm
B – Footprint Cut	565 mm
C – Max. Distance Beginning / End Movement	710 mm
D – Feet Distance	310 mm
E – Max. Width Distance	640 mm
F – Height	420 mm
G – Max. Height Distance	490 mm
H – Table Length	230 mm
I – Table Width	260 mm

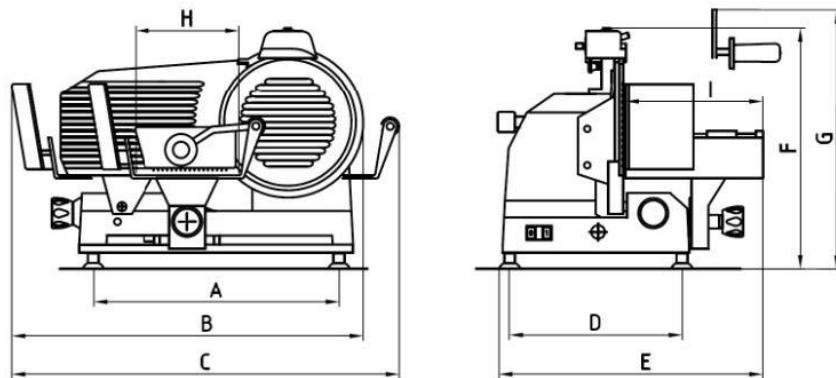
# Metcalfe NSV300 Medium Duty (12" Inch)

## Features

- High quality, vertical slicer
- Designed for light to medium duty usage. Ideally suited to smaller shops, delis, cafes, restaurants and small school kitchens
- Large product support surface and high side walls are ideal for slicing fresh meat and ham
- Ideal for precision slicing and delicate meats
- Hollow ground chromed carbon steel blade
- Easy set thickness control, cuts from 0 to 13mm for precision cut
- Powerful twin poly 'V' belt driven transmission gives a smooth cutting action and silent running
- Easy set thickness control allows for precision slicing
- Built-in sharpening unit
- Carriage slides on ball bearings for smooth carriage glide
- Anodised aluminium body is hygienic and durable
- Table, Bottom Runner, Centre Plate, Knife and Sharpening unit are detachable for easy, safe cleaning
- CE Approved

## Technical Specifications

Model	Weight (kg)	Blade Diameter	Electrical Supply	Power (kW)	Dimensions (mm) H x W x D
<b>NSV300</b>	23	300 mm	220 / 240V 50Hz	0,180	490 x 710 x 640



**Dimensions**

A – Feet Distance	470 mm
B – Footprint Cut	565 mm
C – Max. Distance Beginning / End Movement	710 mm
D – Feet Distance	310 mm
E – Max. Width Distance	640 mm
F – Height	440 mm
G – Max. Height Distance	490 mm
H – Table Length	230 mm
I – Table Width	260 mm

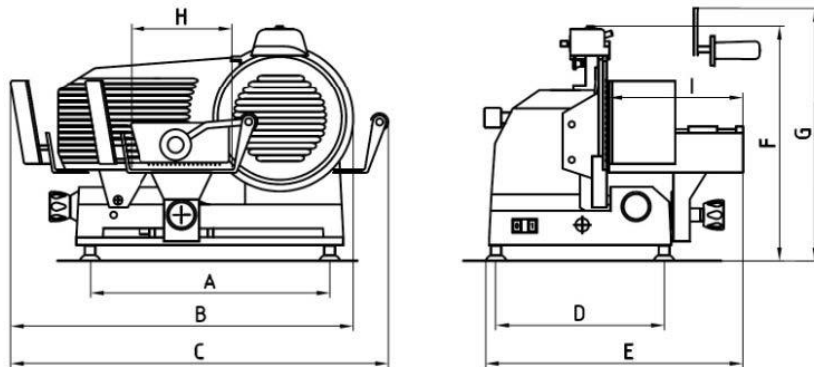
# Metcalfe NSV350 Medium Duty (14" Inch)

## Features

- High quality, vertical slicer
- Designed for light to medium duty usage. Ideally suited to smaller shops, delis, cafes, restaurants and small school kitchens
- Large product support surface and high side walls are ideal for slicing fresh meat and ham
- Ideal for precision slicing and delicate meats
- Hollow ground chromed carbon steel blade
- Easy set thickness control, cuts from 0 to 16mm for precision cut
- Powerful twin poly 'V' belt driven transmission gives a smooth cutting action and silent running
- Easy set thickness control allows for precision slicing
- Built-in sharpening unit
- Carriage slides on ball bearings for smooth carriage glide
- Anodised aluminium body is hygienic and durable
- Table, Bottom Runner, Centre Plate, Knife and Sharpening unit are detachable for easy, safe cleaning
- CE Approved

## Technical Specifications

Model	Weight (kg)	Blade Diameter	Electrical Supply	Power (kW)	Dimensions (mm) H x W x D
<b>NSV350</b>	47	350 mm	220 / 240V 50Hz	0,370	640 x 980 x 665



## Dimensions

A – Feet Distance	630 mm
B – Footprint Cut	740 mm
C – Max. Distance Beginning / End Movement	890 mm
D – Feet Distance	430 mm
E – Max. Width Distance	790 mm
F – Height	560 mm
G – Max. Height Distance	640 mm
H – Table Length	330 mm
I – Table Width	400 mm

**NEW!!**

## Optional Extras



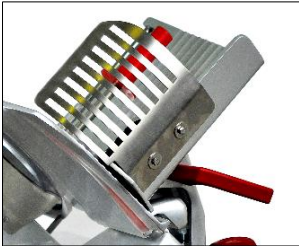
*Teflon Coated Parts, 20% Increased in gliding property*



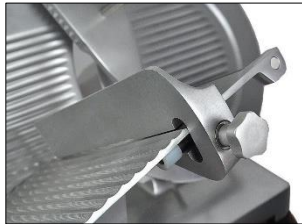
*Special stainless-steel handgrip*



*Aluminium Knobs Kit*



*Stainless Steel Guard*



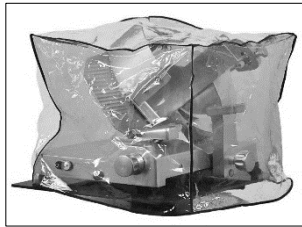
*Product Hold Bar for Gravity Plate*



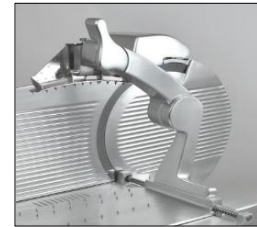
*Serrated Blade*



*Tray Extension Device*



*Plastic Cover*



*Special Arm (Protected)*



*Stainless Steel Knife Remover*

## Painting Customisation



*(For more information and prices please contact the sales department for more info).*

# Installation

## Unpacking

Unpack the slicer immediately after receipt. Please inspect the slicer to ensure, there is no damage and that all parts are included i.e. Knobs, Feet and Knife Removing Tool. If the machine is found to be damaged, keep all the packaging and contact us or contact your source of the equipment immediately.

You should receive with your slicer:

- 1 x Metcalfe Tasteless Oil
- 1 x Flat Head Screwdriver
- 1 x This Instruction Manual
- 1 x Knife Removing Tool

If any of the above items were not received with your slicer, please refer to page 15 for contact details and inform us immediately for replacements.

***Please ensure that you complete the product information section on page 15.***

## Installation

1. Read this manual thoroughly before installation and operation. DO NOT proceed with any installation nor operation if you have any questions or do not understand anything in this manual. Please see Metcalfe Catering Equipment Ltd contact details on page 15 to resolve any queries you may have.
2. Make sure to clean and sanitise the entire slicer before use. (see Cleaning Page 8)
3. Select a location for the slicer that is level, smooth, solid, dry, non-skid and suitable to withstand the weight of the slicer plus the food to be sliced.

**Before connection ensure that the features of the electric power supply system are the same as those indicated on the data plate of the machine.**

## Operation:

1. Ensure the slicer is turned off and that the indicator knob is set to "0".
2. Pull back the carriage completely (towards the operator) to the loading position.
3. Lift the end device into the rest position.
4. Place product onto the table, block it with the end device by lowering it onto the product and pressing down slightly.
5. Rotate the indicator knob counter clockwise to the desired setting of cut.
6. Turn the slicer on by pushing the start button. Power indicator light, which is located between the on / off switch, will illuminate.



**DO NOT hold the food product with your hand. Never put your hand on or around the table while the slicer is on. The table handle is the only part of the slicer you should touch while slicing.**

7. Use the table handle to manually push the carriage back and forth. The table handle is the only part of the slicer you should touch while slicing. DO NOT catch slices with your hands, let slices drop onto the receiving area.
8. When the weight or size of the product does not allow a proper slice for reasons of weight, use the end device handle and apply some pressure to the product.



**If a product needs to be adjusted during slicing, ALWAYS pull the carriage all the way towards you. Turn the slicer off, and pull the table all the way towards you.**

9. After the last slice stroke, pull the carriage all the way towards you. Turn the slicer off by pressing the stop button, the power indicator light will go out. Turn the indicator knob clockwise until it stops to close the slicer table.
10. You can now unload or load the product from the table.

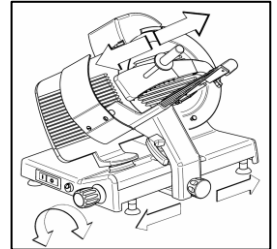


## Cleaning Instructions

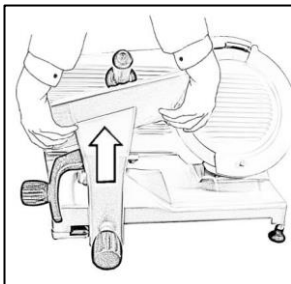
Daily cleaning should be considered mandatory for all equipment used in the preparation of food. When using a meat slicer and with the possibility of cross contamination, these units should be cleaned before slicing each new product. Once your slicer makes contact with any food product, the entire slicer, including removable parts must be thoroughly cleaned. This process is to be repeated at the end of each working day. If the machine has not been used for a while it must be cleaned before use as well. In order to ensure the slicer is cleaned properly and to avoid damage, the instructions below should be followed.

### Disassembly & Cleaning

1. Turn slicer off and unplug from mains.
2. Turn the indicator knob clockwise past "0" until it stops so the fence plate covers the blade (Figure A).
3. With the indicator knob on "0" pull back the carriage all the way to the left (Figure A).

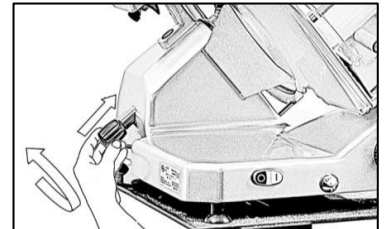


(Figure A)

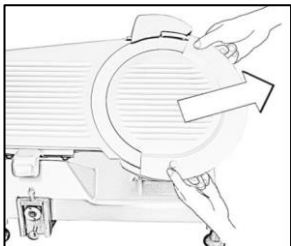


4. Turn the bottom runner knob counter-clockwise all the way while supporting the carriage, once fully unscrewed lift the whole of the table and carriage from the machine (Figure B).

(Figure B)



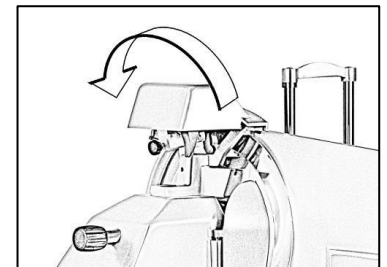
(Figure C)



5. Unscrew the centre plate spindle knob (counter clockwise) and remove from the rear of the machine (Figure C).

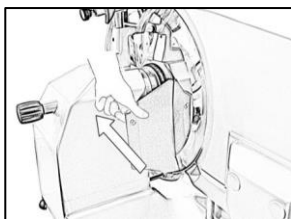
6. Once the centre plate spindle has been undone take the centre plate spindle out of the machine and lift the centre plate using the knob locate at the bottom (Figure D).

(Figure D)



(Figure E)

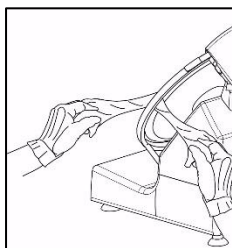
7. Remove the knife sharpener by loosening the screw at the rear of the sharpener (about 10 turns), then pull it upwards from the slicer. (Figure E)



8. Remove the knife scraper by sliding it to the left (Figure F).

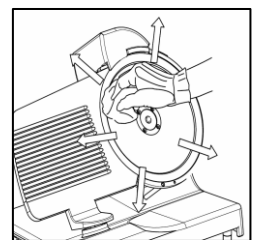
(Figure F)

9. Only use warm water and a mild detergent to clean all parts.
10. Rinse all parts after cleaning with clean water and dry with a soft cloth.



(Figure H)

11. To clean the knife, use a damp cloth on the blade and move it slowly from the centre outwards to the edge (Figure G). Dry the knife in the same way.



(Figure G)

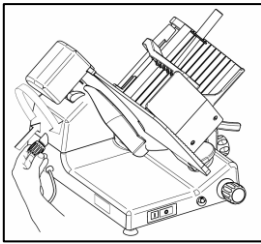
12. To clean the back-knife guard, pass a damp cloth between the blade and the back-knife guard (Figure H).

(images shown above may differ from actual slicer)

## Reassembling After Cleaning

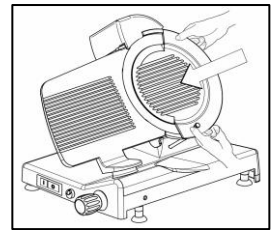
After cleaning the knife, the rest of the slicer must also be fully cleaned and dry before reattaching slicer parts and using the slicer

1. Insert the knife scraper over pins and slide back into position (Figure A).



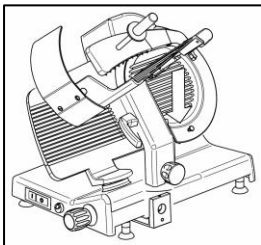
(Figure B)

2. Insert the centre plate spindle completely and rotate clockwise to secure (Figure B).



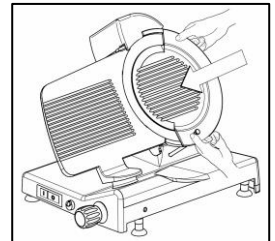
(Figure A)

3. Insert the centre plate over the knife and ensure that the groove are flush with the groove on the fence plate.

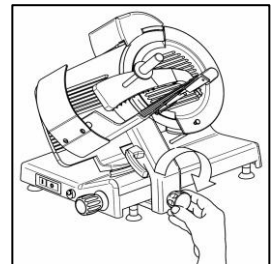


(Figure D)

4. Insert the carriage (Figure D) and tighten the bottom runner knob (Figure E).

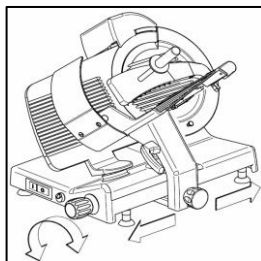


(Figure C)



(Figure E)

5. Check that the bottom runner moves freely from left to right (Figure F).
6. Check that the indicator knob works correctly (Figure F).



(Figure F)

(images shown above may differ from actual slicer)

## Removing the Knife

1. Switch off and unplug from mains.
2. Unscrew the centre plate spindle (counter clockwise) and remove from the rear of the machine.
3. Remove the centre plate.
4. Fit the knife removing tool over the knife, and secure it by tightening the two knobs.
5. Once the knife removing tool is secure loosen the four screws securing the knife to the pulley.
6. Pull off the knife removing tool with the knife **ALWAYS REMOVE HOLDING THE KNOBS**.
7. Proceed to clean machine.
8. Place the knife removing tool and knife back onto the slicer and follow the above steps in reverse.

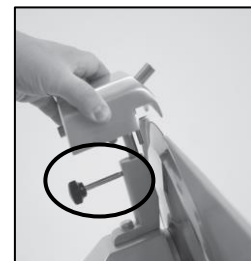
## Sharpening the Knife (NSV250 & NSV300 Only)

### When and How Often To Sharpen Knife

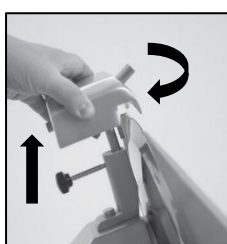
1. Symptoms of a dull knife are excess waste on the unsliced portion.
2. The Knife needs to be sharpened periodically to provide consistent slices and maximum food product. Sharpening the knife lightly every few days is more effective than heavy sharpening at less frequent intervals.

### Preparing for Sharpening

1. Turn the slicer off and rotate the indicator knob clockwise until it stops and the slicer fence plate covers the blade.
2. Clean and dry both sides of the knife before sharpening. Please refer to cleaning instructions on page 8.
3. Loosen sharpener release knob by turning it counter clockwise several times (Figure A).

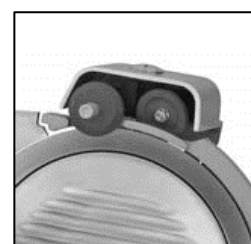


(Figure A)



(Figure B)

4. Lift sharpener cover up (Figure B), rotate it clockwise (Figure B) and lower it into position with the knife fitting between the two stones (Figure C).



(Figure C)

5. Tighten sharpener release knob (Figure A) to secure sharpener.

### Sharpening the Knife – (Regular Procedure)

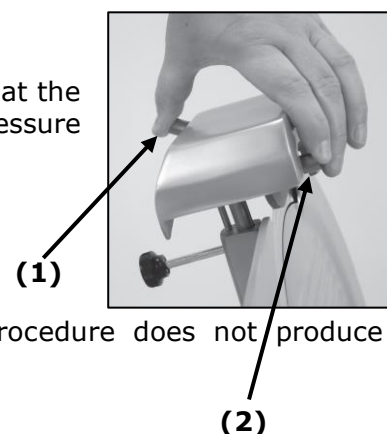
1. Plug in and select the start button on the slicer.
2. Push the sharpening stone button (1) and honing stone button (2) at the same time so that both stones make contact with Knife. Maintain pressure on the buttons for 5-10 seconds.

**TURN SLICER OFF** before inspecting.

### Sharpening the Knife (Extended Procedure)

NOTE: Use the extended procedure only if the regular sharpening procedure does not produce satisfactory results.

1. Start slicer
2. Push sharpening stone button (1) so the stone sharpens the back side of the knife. Maintain pressure on button for 30 seconds.
3. Push grinding stone button (1) and honing stone button (2) at the same time so both stones make contact with the knife. Maintain pressure on the buttons for 5 seconds.



**TURN SLICER OFF** before inspection.

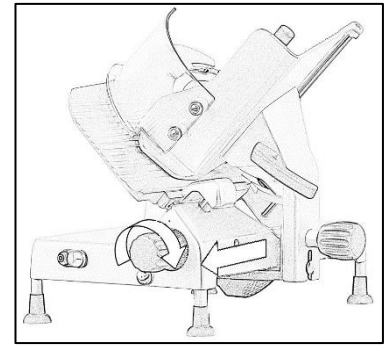
### After Sharpening

1. Turn slicer off and unplug power cable.
2. Loosen sharpener release knob (Figure A).
3. Lift and rotate sharpener and place back in its stored position (Figure B)
4. Tighten sharpener release knob (Figure A).
5. Clean the entire slicer. Refer to cleaning on page 8.
6. Reinstall food bottom runner and plug power cable in.

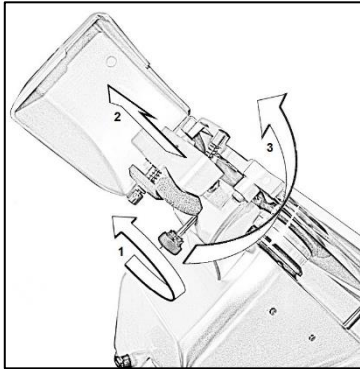
## Sharpening the Knife (NSV350 Only)

### Preparing for Sharpening

1. Ensure the slicer is switch off.
2. Rotate the indicator knob (1) clockwise until it stops and the slicer fence plate covers the blade and turn the slicer off (2) as shown in (Figure A).
3. Clean and dry both sides of the knife before sharpening. Please refer to cleaning instructions on page 8.



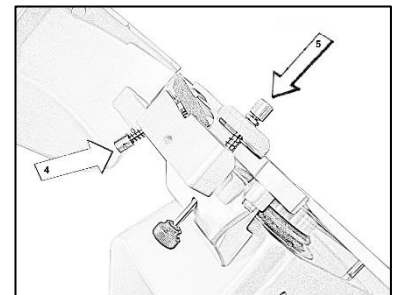
(Figure A)



4. Lift the cover up and loosen sharpener release knob (1) by turning it counter clockwise several times.
5. Once the sharpener is loose lift and rotate the sharpener (2 & 3) and lower it into position with the knife fitting between the two stones.
6. Tighten sharpener release knob (1) to secure sharpener.

### Sharpening the Knife – (Regular Procedure)

1. Plug in and select the start button on the slicer.
2. Push the sharpening stone button (4) and honing stone button (5) at the same time so that both stones make contact with Knife. Maintain pressure on the buttons for 5-10 seconds.



**TURN SLICER OFF** before inspecting.

### Sharpening the Knife (Extended Procedure)

NOTE: Use the extended procedure only if the regular sharpening procedure does not produce satisfactory results.

1. Start slicer
2. Push sharpening stone button (1) so the stone sharpens the back side of the knife. Maintain pressure on button for 30 seconds.
3. Push grinding stone button (1) and honing stone button (2) at the same time so both stones make contact with the knife. Maintain pressure on the buttons for 5 seconds.

**TURN SLICER OFF** before inspection.

### After Sharpening

1. Turn slicer off and unplug power cable.
2. Loosen sharpener release knob (Figure A).
3. Lift and rotate sharpener and place back in its stored position (Figure B)
4. Tighten sharpener release knob (Figure A).
5. Clean the entire slicer. Refer to cleaning on page 8.
6. Reinstall food bottom runner and plug power cable in.

(images shown above may differ from actual slicer)

## Slicer Safety Tips

### To Avoid Serious Personal Injury:

- **NEVER** touch the slicer without training and authorisation from your supervisor or if you are under the age of 18. Read this instruction manual first.
- **ONLY** install the slicer on a level non-skid surface that is non-flammable and is located in a clean, well-lit work area and away from children and visitors.
- **NEVER HOLD THE FOOD PRODUCT WHILE SLICING.** Hold only the end device handle while slicing.
- **BEFORE CLEANING, SHARPENING, SERVICING, OR REMOVING ANY PARTS** always turn the slicer off, turn the indicator knob clockwise until it stops and unplug power cable.

### To Avoid Serious Personal Injury:

- NEVER touch rotating knife
- ALWAYS keep hands clear of all moving parts
- ALWAYS turn slicer off, turn the slicer indicator knob clockwise until it stops.

### Important Cleaning Notes

- Never use steel wool pads on the slicer
- Do not use other metal products to scrape or remove stubborn deposits of sliced product.
- Never leave any leftover product on the slicer (Clean At least Once a Day).
- DO NOT clean the unit, or any parts of the unit, in a dishwasher.
- Never place the power cord over the unit.

## Suitable Products for Slicing

### The following are products that can be sliced:

- All types of cold cuts (cooked, raw, smoked)
- Boneless meat (cooked or raw at a temperature of no lower than +3°C)
- Bread and cheese (those that can be sliced, such as Gruyere, Fontina, etc.)

### The following are products that cannot be sliced because they could cause damage to the machine:

- Frozen food (Only with Serrated Blade see page 6)
- Deep-frozen food
- Food with bones (meat & fish)
- Vegetables
- Any other products not meant for consumption

## Troubleshooting

If the slicer is not working correctly please check the list below before contacting an engineer or Metcalfe Catering Equipment Ltd.

Problem	Possible Causes	Action Required
Pressing the start button the machine does not start.	No electricity.	Check that the plug is correctly inserted.
Pressing the start button the machine starts but the working light does not come on.	Light is defective.	Do not use the machine if the light does not work. Contact service for assistance.
The machine starts but the motor heats up too much, and gives off a bad odour.	Defective motor.	Do not use the machine. Contact service for assistance.
The machine vibrates.	Defective transmission.	Contact service for assistance.
Excessive resistance in cutting the product.	The blade is not sharp.	Sharpen the blade.
The blade slows or stops under stress.	Loose belt	Contact service for assistance.
Sharpening is no longer regular.	Sharpening stones are excessively dirty. Sharpening stones worn out.	Clean the sharpening stones. Replace sharpening stones. Contact service for assistance.
The sliced product is frayed and irregular.	The blade is not sharp.	Sharpen blade.
	The blade is excessively used.	Replace the blade. Contact service for assistance.
The machine does not stop when the button is pressed.	Control circuit is defective.	Pull out the plug to stop the machine immediately and contact service for assistance.

If the problems persist and the assigned solution does not remedy the problem, please see page 15 and call our Service Department.

## Maintenance

Only the below maintenance is recommended for the operator to carry out, all other maintenance should be done by an approved engineer.

- Knife sharpening.
- Lubrication of the bottom runner guide bars and end device (weekly).
- Check the condition of the electrical cable and the cable gland on the base of the machine (periodically).
- Replacing the Knife.
- Replacing the sharpening stone.

Maintenance to be carried out by engineer only.

- Replacing the components of the electrical system under the base.
- Repairing the structural parts, repairing and/ or replacing components under the base.

## Breakdown Drawing & Parts List

To obtain a copy of the breakdown drawing & parts list relating to any of the below slicer. Please either email [enquires@metcalfecatering.com](mailto:enquires@metcalfecatering.com) quoting the model no of the unit as shown on page 15. Alternatively, you can scan the below QR codes using a QR Scanner to download them directly to your phone or tablet.

- Metcalfe NSV250



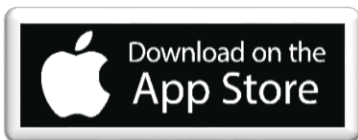
- Metcalfe NSV300



- Metcalfe NSV350



To download a QR Scanner to your mobile / table click on either of the below to obtain the QR Reader application (only if viewing as a PDF).



Or go to your app store and search for the below

### Apple Device

QR Code Reader by Scan

### Windows

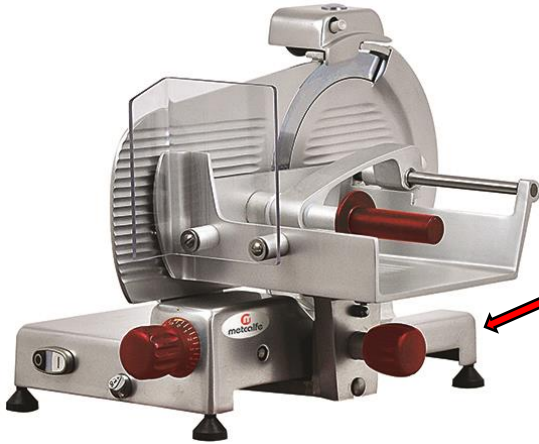
QR Code Reader

### Android

QR Code Reader

## Spare Parts and Service

For more information on Metcalfe Spares / Accessories and Service Support, please contact us always quoting the Metcalfe Serial Number of the machine. This can be found on the serial number plate which is shown below also the location as to where it can be found on the machine.



			
Tel: +44 (0)1766 830 456 Fax: +44 (0)1766 831 170			
Serial No: <b>NSV300/800/7A</b>			
Model: <b>NSV300</b>		Phase: <b>1</b>	
<b>220</b> V	<b>50</b> Hz	<b>370</b> W	
M: <b>April</b>	Yr: <b>2017</b>	<b>47</b> Kg	

(Located on right hand side of the machine's base)

Contact us on the details below;

Metcalfe Sales & Spares Dept.

Tel: 01766 830 456 – Opt. 1

Email: [enquires@metcalfecatering.com](mailto:enquires@metcalfecatering.com)

Metcalfe Service & Repair Dept.

Tel: 01766 830 456 – Opt. 4

Email: [karen@metcalfecatering.com](mailto:karen@metcalfecatering.com)

Additional copies of either the instruction manual or breakdown drawing for this unit can be obtained by visiting the Metcalfe Catering Equipment Ltd website or contacting sales department.

Web-site: [www.metcalfecatering.com](http://www.metcalfecatering.com) / Sales e-mail: [sales@metcalfecatering.com](mailto:sales@metcalfecatering.com)

### Product Information

Please complete the below details and keep in a safe place. Ensure that you complete the Model No & Serial No sections for future reference when enquiring for spare parts and technical help.

Please see above for location of serial no on the Metcalfe data plate, the model no for your unit will be the first section of the serial no as shown on the above plate.

### Metcalfe Catering Equipment Ltd

Company Name: \_\_\_\_\_

Company Address: \_\_\_\_\_

Model No: \_\_\_\_\_ Serial No: \_\_\_\_\_ Date of Purchase: \_\_\_\_\_

Name of Dealer: \_\_\_\_\_

**Please retain this section for your records**



## Metcalfe Warranty

All Metcalfe are guaranteed against defects in material and workmanship for a period of two years from date of Invoice, except where specially noted.

The Company's obligation under this warranty is limited to repairing or replacing, without charge, any part or parts found to be defective under normal use, in accordance to the specified operations manual and capacity ratings.

On all return to factory warranty items, it is the responsibility of the purchaser to return the entire unit to the factory, in a clean condition, properly packed and labelled.

All repairs, alterations or replacement of materials or parts not authorised by Metcalfe will automatically void all warranties in their entirety.

There is a limited **6-month warranty** on the following:

- Mixer attachments (beater, whisk and dough hook)
- Parts purchased or supplied for the repair of Metcalfe equipment

This warranty does not cover the following:

- Failure due to neglect, abuse, careless handling or misuse of machine
- Failure caused due to improper maintenance
- Blender clutches
- Knives and gears on can openers
- Sharpening of slicer blades
- General wear and tear

Metcalfe and its suppliers reserve the right to make changes in design and specification to any product without prior notification.







## Electrical PAT Certificate

Test Details	Result
Item:	
Class:	Class 1 / Class 2
Date:	/ /
Appliance ID:	
User ID:	M.C.E
Visual:	
Earth Current: <span style="float: right;">amps</span>	
Class 1: Earth Result / RPE	$\Omega$
RISO:	M $\Omega$
1 EA:	MA
Class 2 RISO:	M $\Omega$
1 EA:	MA
Insulation (500V):	M $\Omega$
Load:	KVA
Leakage:	MA
Polarity (leads only):	

Test Details	Result
Item:	
Class:	Class 1 / Class 2
Date:	/ /
Appliance ID:	
User ID:	M.C.E
Visual:	
Earth Current: <span style="float: right;">amps</span>	
Class 1: Earth Result / RPE	$\Omega$
RISO:	M $\Omega$
1 EA:	MA
Class 2 RISO:	M $\Omega$
1 EA:	MA
Insulation (500V):	M $\Omega$
Load:	KVA
Leakage:	MA
Polarity (leads only):	

## Electrical PAT Certificate

Test Details	Result
Item:	
Class:	Class 1 / Class 2
Date:	/ /
Appliance ID:	
User ID:	M.C.E
Visual:	
Earth Current: <span style="float: right;">amps</span>	
Class 1: Earth Result / RPE	$\Omega$
RISO:	M $\Omega$
1 EA:	MA
Class 2 RISO:	M $\Omega$
1 EA:	MA
Insulation (500V):	M $\Omega$
Load:	KVA
Leakage:	MA
Polarity (leads only):	

Test Details	Result
Item:	
Class:	Class 1 / Class 2
Date:	/ /
Appliance ID:	
User ID:	M.C.E
Visual:	
Earth Current: <span style="float: right;">amps</span>	
Class 1: Earth Result / RPE	$\Omega$
RISO:	M $\Omega$
1 EA:	MA
Class 2 RISO:	M $\Omega$
1 EA:	MA
Insulation (500V):	M $\Omega$
Load:	KVA
Leakage:	MA
Polarity (leads only):	