

Breakdown Drawing & Parts List



Metcalfe Potato Peeler

MODEL/S: EP10, EP15 & NA10, NA15

18-05-15

IMPORTANT!

TO EXPEDITE SHIPMENT OF PARTS, ALWAYS SPECIFY MODEL, SERIAL NUMBER,
AND PART NUMBER/S.

METCALFE CATERING EQUIPMENT LTD

Haygarth Park,
Blaenau Ffestiniog,
Gwynedd,
LL41 3PF

Spares Department

Tel: 01766 830 456 Opt 1 / Fax 01766 831 170

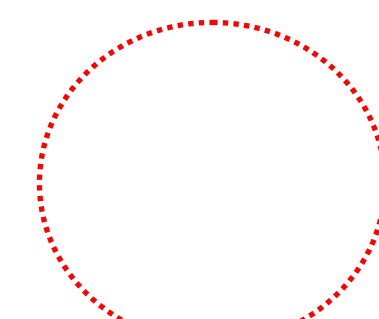
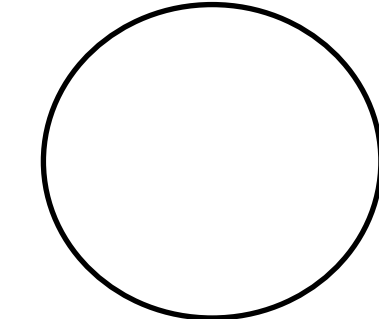
E-mail: enquiries@metcalfecatering.com

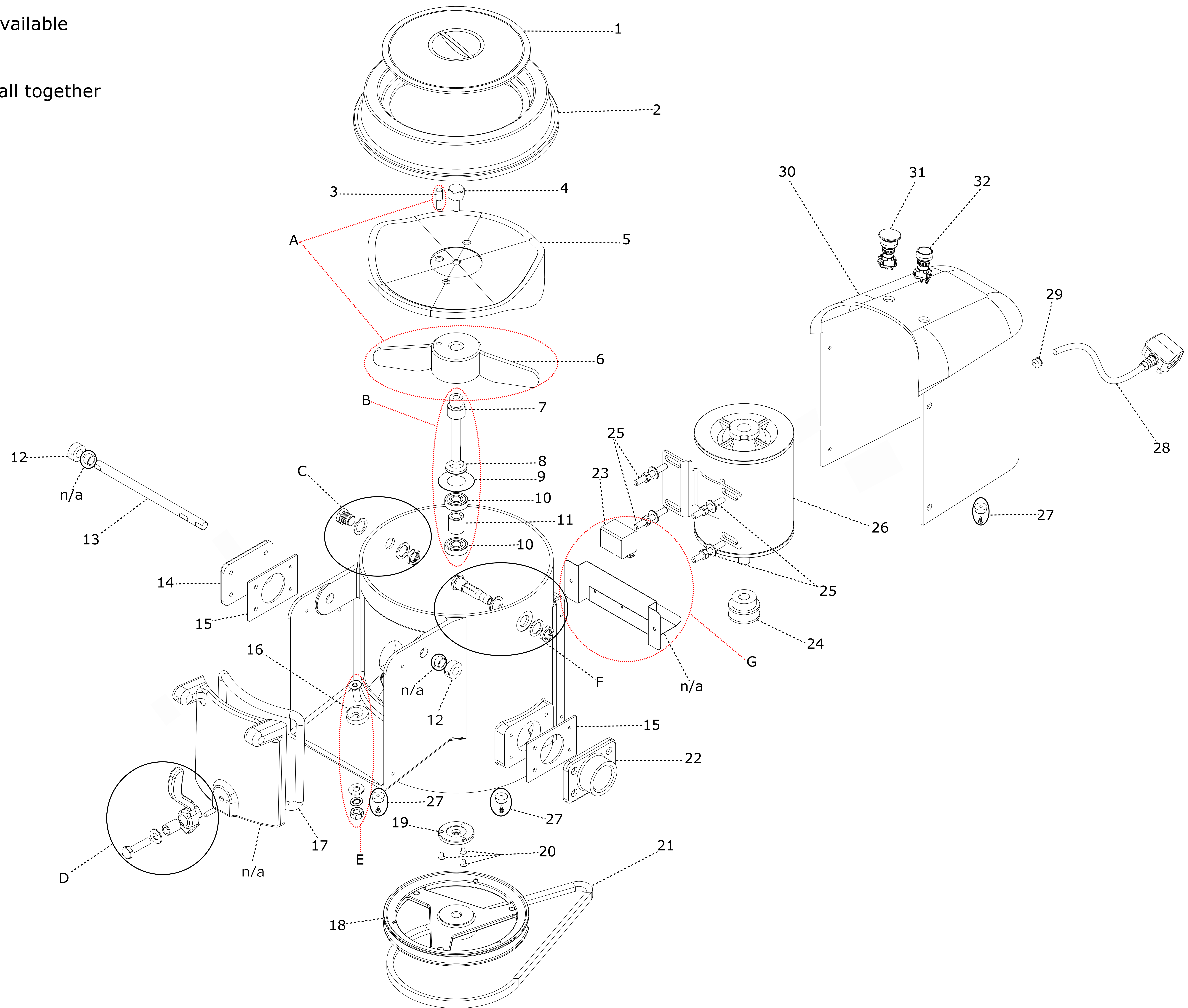
Website: www.metcalfecatering.com

Index

Breakdown Drawing.....	3
Parts List.....	4
Spares & Service Contact Details.....	5
Notes.....	6

10LB & 15LB BREAKDOWN DRAWING

-  - Complete assembly available
-  - Part/s only available all together
- n/a - Part not available



Parts List

Ref	Qty	Part No	Description	Image
1	1	PL01	Rubber Lid	View
2	1	TT01	Top Casting	View
3	1	TD07	Drive Peg	View
4	1	TR02	Rotor Plate Fixing Screw	View
5	1	TR01	Rotor Plate	View
6	1	TS01	Sweeper (Only)	View
7	1	TS02	Spindle	View
8	1	TO01	Oil Seal	View
9	1	TW06	Washer, Formed (Deflector Disc)	View
10	2	TB01	Bearing	View
11	1	TB05	Bearing Spacing Collar	View
12	2	PD14M	Door Spindle Collar	View
13	1	TD06	Door Hinge Pin	View
14	1	TW02	Water Outlet Blank 1.1/2	View
15	2	TG02	Gasket, Water Out 1.1/2	View
16	1	TD04M	Door Cam	View
17	1	9T15A	Door Gasket	View
18	1	TP07	Pulley, Drive (Large)	View
19	1	TR04	Bearing Retaining Washer	View
20	3	TS03	Screw for Bearing Retaining Washer	View
21	1	TB04	Belt, A34/A880	View
22	1	TW01	Water Outlet 1.1/2	View
23	1	ECN01	No-Volt Relay (Only)	View
24	1	TP06	Pulley for Motor (Small)	View
25	4	TM04M	Motor Stud 2.1/2	View
26	1	PM01SF	Motor, 1/3hp, 220/240V 50Hz	View
27	3	9T14	Rubber Foot with Screw	View
28	1	WDC15	Power Plug, 2.5m long 13amp	View
29	1	TC04	Cable Grommet	View
30	1	TM02	Motor Cover Casting	View
31	1	TS14	Switch, Off, Mushroom Head	View
32	1	TS13	Switch, On, Green	View

Ref	Qty	Part No	Description	Image
A	1	9T13	Sweeper Assembly (TD07 & TS01)	View
B	1	9T11	Bearing & Shaft Assembly (TB01, TB05, TO01, TS02, TS07 & TW06)	View
C	1	PC01	Chamber Blanking Bolt (PC01 + PN02)	View
D	1	9T02M	Door Handle, Bolt & Bush U/O	View
E	1	9T23M	Door Cam, Bolt, Nut & Washer	View
F	1	9P56	Water Inlet, Nut & Washer	View
G	1	9T29	No Volt Relay Assembly (ECN01, TI02, TP10, TS10, TS11, TS13, TS14, TT06, TT07, TT08 & WDT01)	View

Items not shown on breakdown drawing

9EC01	Box Spanner	View
TL01	Lifting Hook	View

* To ensure correct part, click [view](#) to view image

Spares & Service

For more information on Metcalfe Spares / Accessories and Service Support, please always quote the Serial Number of the machine. This can be found on the serial number plate (as shown below)



Contact us on the details below;

Metcalfe Sales & Spares Dept

Tel: 01766 830 456 - Opt 1

Email: enquires@metcalfecatering.com

Metcalfe Service Dept

Tel: 01766 830 456 - Opt 4

Email: karen@metcalfecatering.com

Additional copies of either the instruction manual or breakdown drawing for this unit can be obtained by visiting the Metcalfe Catering Equipment Ltd website or contacting sales.

Web-site: www.metcalfecatering.com / Sales e-mail: sales@metcalfecatering.com
