

**SERVICE PARTS MANUAL**

**Storage Bins Manufactured Prior to July 2008**



14-1018

Date 6/13/16

This parts list contains the service parts available for the Ice-O-Matic storage bins listed below.

**B25PP**

**B42A**

**B40A**

**B55A**

**B75**

**B100A**

**CRT 125 Ice Cart**

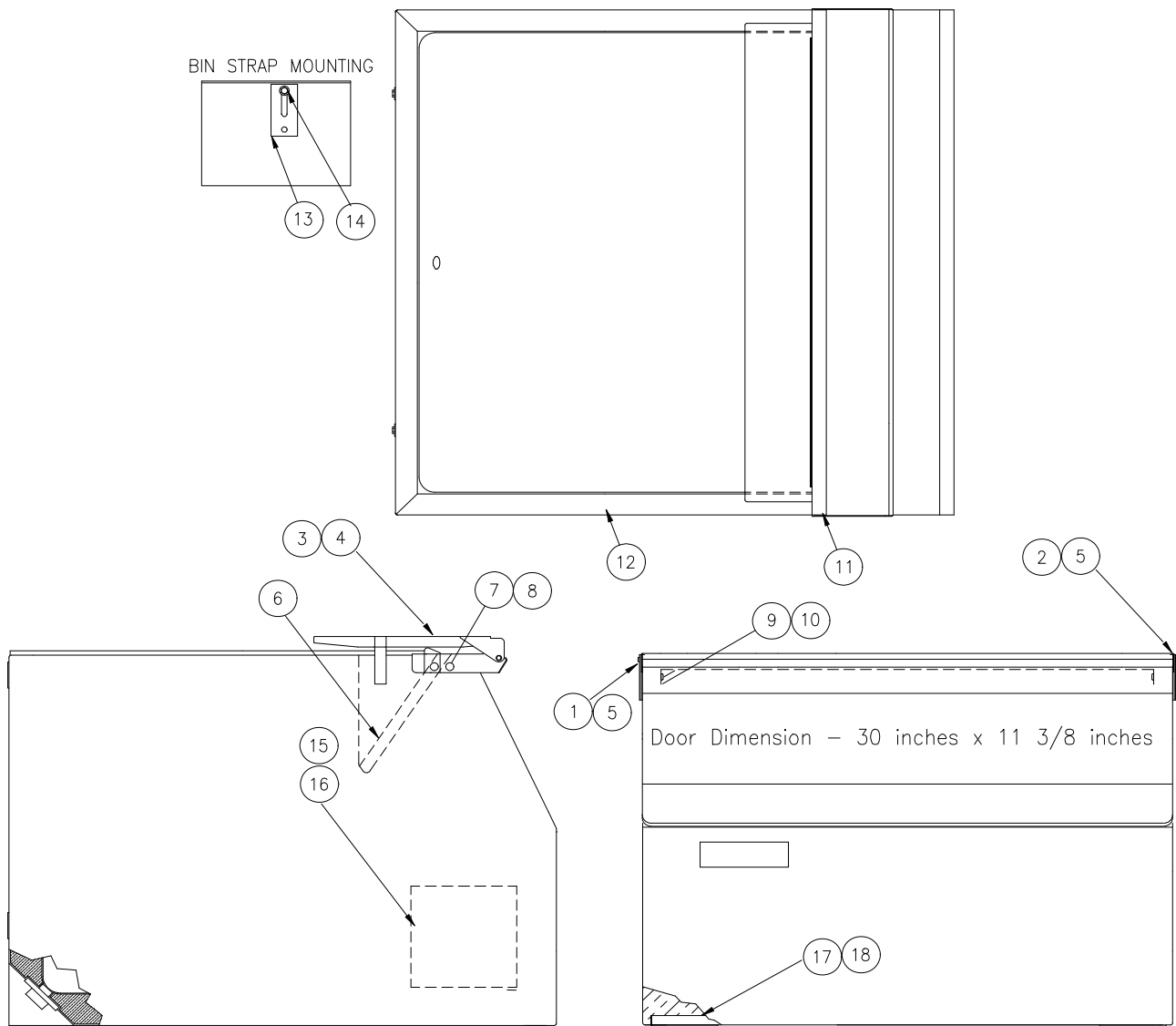
Check the model number on the data plate and refer to the correct listing for the specific component.

Check carefully that the correct part is identified and ordered.

Table of Contents	Page 1
B25PP	Page 2
B42A	Page 3
B40A and B55A	Page 4
B75	Page 5
B100A	Page 6
CRT125 Ice Cart	Page 7

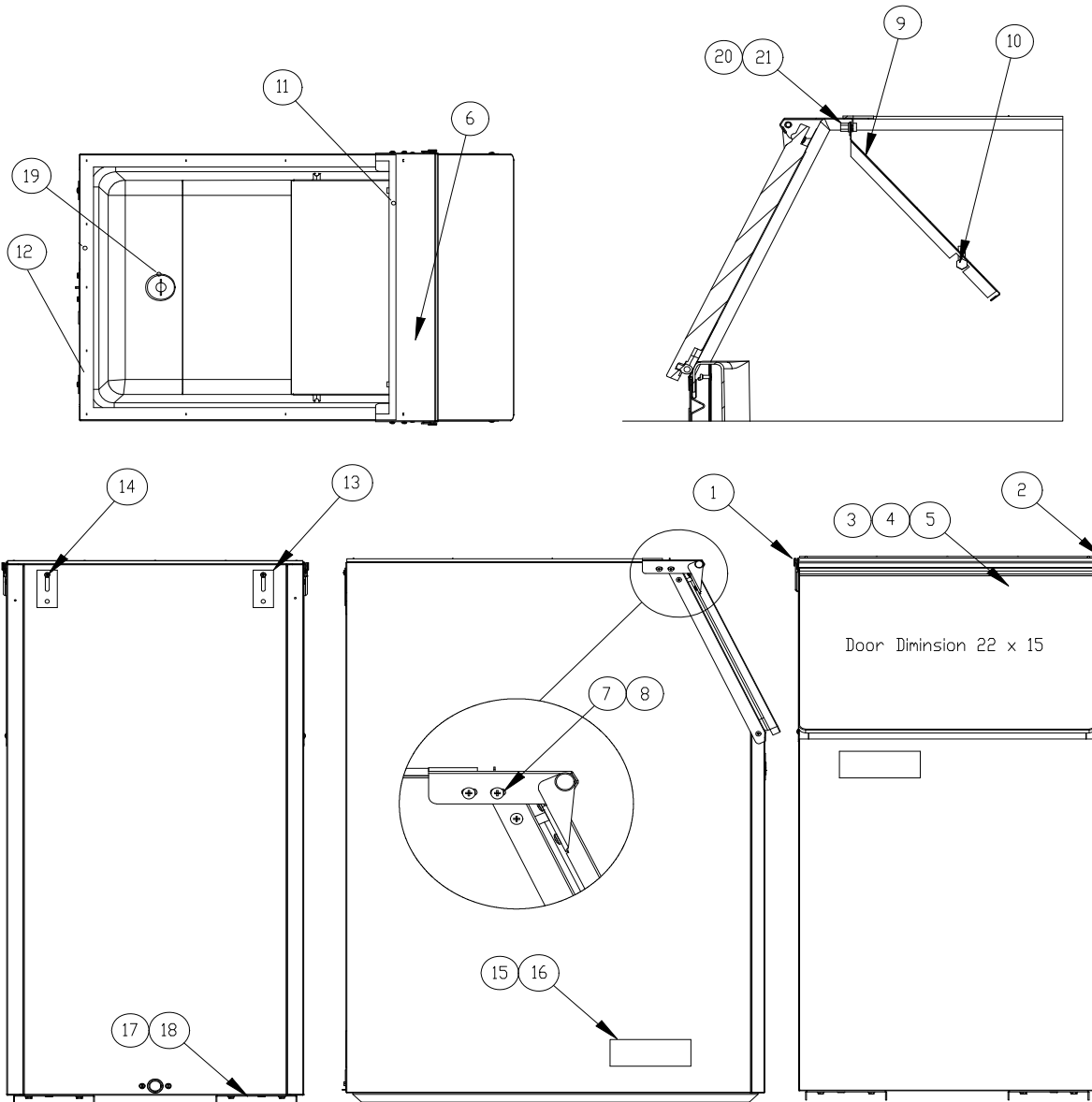
Ice-O-Matic  
11100 East 45th Ave.  
Denver Co. 80239

**NLA-NR=No Longer Available-No Replacement Parts Available**

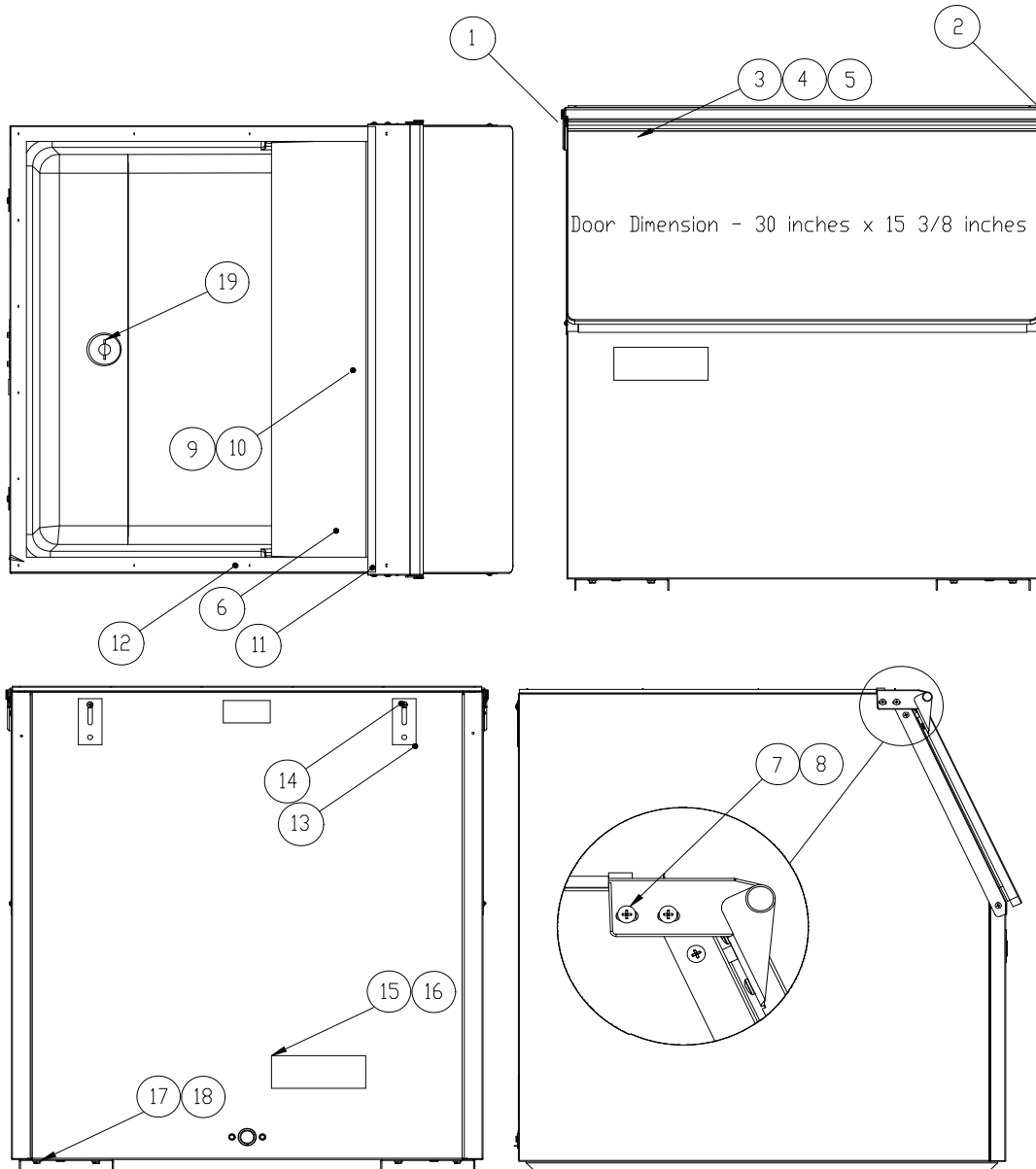


Item	B25PP Bin	Description
1	2031302-01	Hinge-Left Hand
2	2031302-02	Hinge-Right Hand
3	2031303-97	Door, 30 x 11.375 Black Only (Includes Gasket)
4	6081036-01	Door Gasket 3.87 Ft. Required
5	9031008-15P	Screw-Hinge to Door
6	2101252-01	Drip Shield/Ice Deflector
7	9031098-05P	Drip Shield Screw
8	9031141-01P	Plastic Nut
9	3012646-03	Drip Shield Stainless Steel Stiffener
10	9031113-04	Drip Shield Stainless Steel Stiffener Screws
11	6081004-07	Drip Shield Gasket 2.50 Ft Required
12	6081004-06	Bin Perimeter Gasket 6.42 Ft. Required
13	3012608-01	Connecting Strap
14	9031113-03P	Connecting Strap Screw
	9031003-10P	Flat Washer for Bin Strap
15	9021001-04	Legs (Set of 4)
16	9051127-01	Ice Scoop
17	2031453-01	Leg Support (Includes Nut Retainers)
18	9031012-02	Leg Nut Retainer

P=Package Quantity

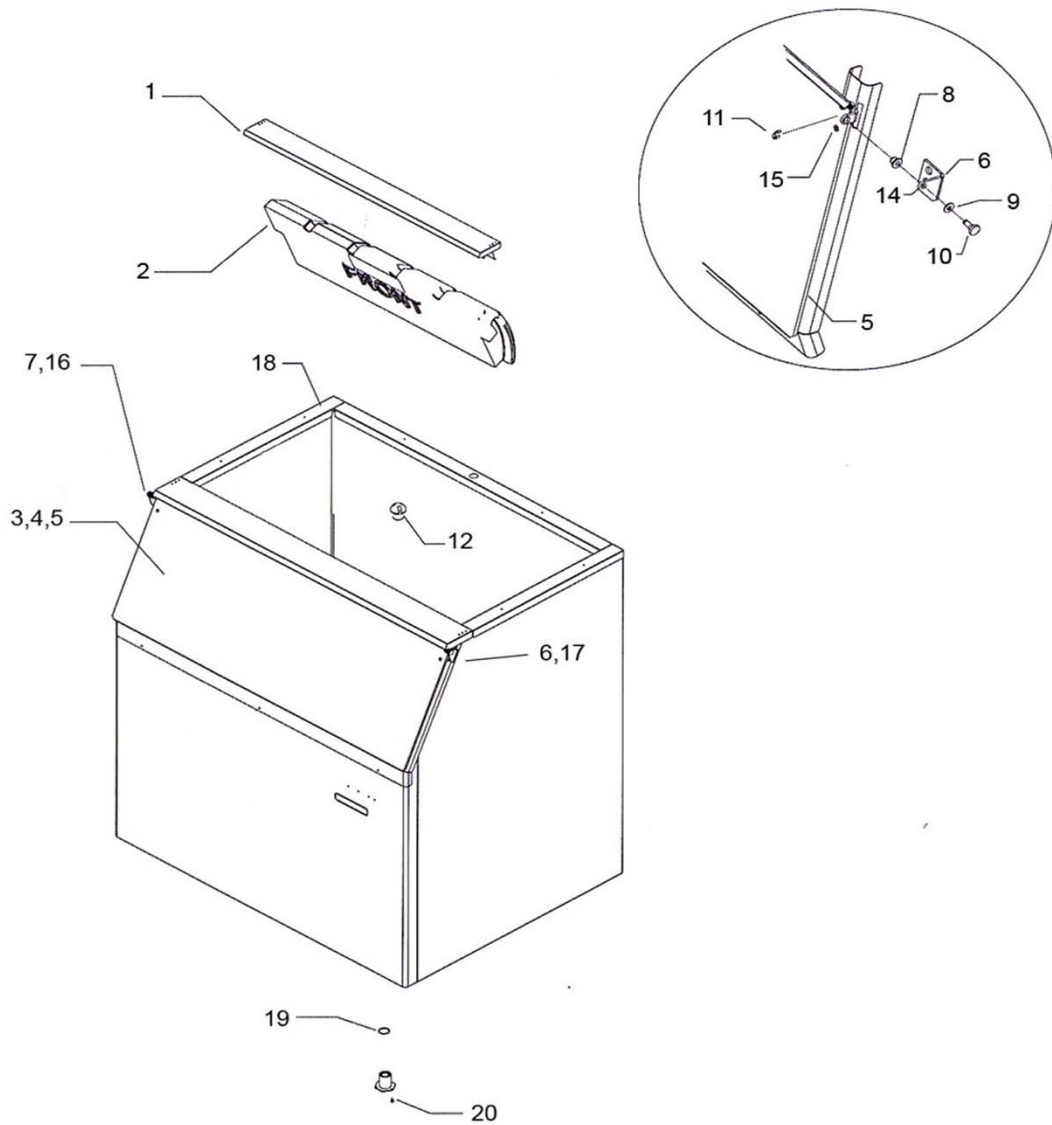


Item	B42A Bin	Description
1	2031302-01	Hinge-Left Hand
2	2031302-02	Hinge-Right Hand
	9121032-01	Nylon Bearing (Hinge)
3	<b>2031303-98</b>	Door, 22 x 15 Black (Includes Gasket) <b>NLA-NR</b>
4	6081036-01	Door Gasket 4.00 Ft. Required
5	9031008-15P	Screw-Hinge to Door
6	<b>2031496-01</b>	Drip Shield <b>NLA-NR</b>
7	9031098-03P	Drip Shield Screw
9	3011984-03	Ice Deflector
10	<b>9031116-01</b>	Hex Standoff <b>NLA-NR</b>
11	6081004-07	Drip Shield Gasket 2.3 Ft Required
12	6081004-06	Bin Perimeter Gasket 5.70 Ft. Required
13	3012608-01	Connecting Strap
14	9031113-03P	Connecting Strap Screw
15	9021001-04	Leg Set (4)
16	9051127-01	Ice Scoop
17	2031310-03S	Leg Support (Includes Nut Retainers)
19	<b>9051126-02</b>	Drain Plug <b>NLA-NR</b>
20	9031122-03P	Thumbscrew
21	9031004-19P	Washer, Rubber

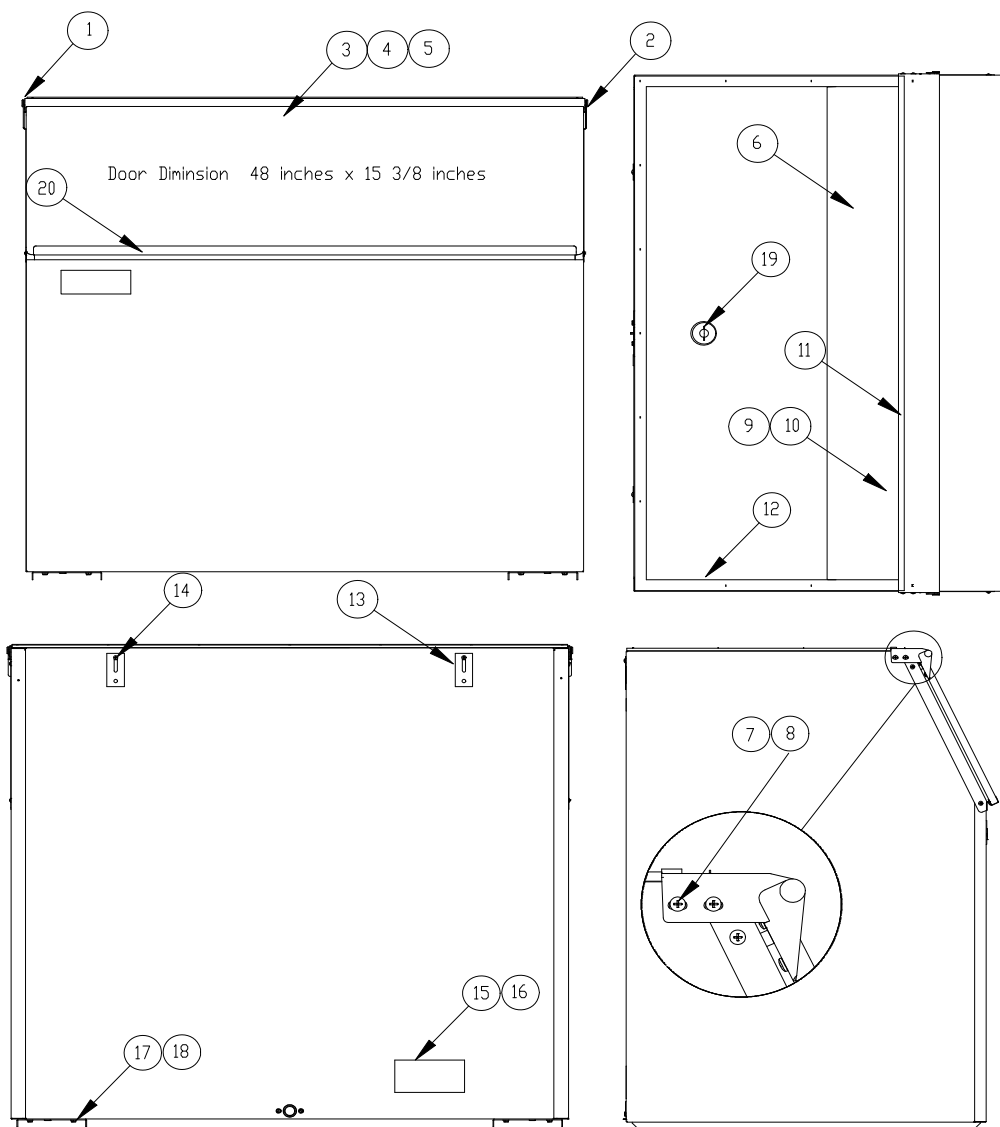


Item	B40A Bin	B55A Bin	Description
1	2031302-01	2031302-01	Hinge-Left Hand
2	2031302-02	2031302-02	Hinge-Right Hand
3	2031303-93	2031303-93	Door, 30 x 15.375 Black Only (Includes Gasket)
4	6081036-01	6081036-01	Door Gasket 5.00 Ft. Required
5	9031008-15P	9031008-15P	Screw-Hinge to Door
6	<b>9051370-02</b>	<b>9051370-02</b>	Drip Shield/Ice Deflector <b>NLA-NR</b>
7	9031098-03P	9031098-03P	Drip Shield Screw
8	9031141-01P	9031141-01P	Plastic Nut
9	<b>3012646-02</b>	<b>3012646-02</b>	Drip Shield Stainless Steel Brace <b>NLA-NR</b>
10	9031113-04P	9031113-04P	Drip Shield Stainless Steel Stiffener Screws
11	6081004-07	6081004-07	Drip Shield Gasket 2.5 Ft Required
12	6081004-06	6081004-06	Bin Perimeter Gasket 6.30 Ft. Required
13	3012608-01	3012608-01	Connecting Strap
14	9031113-03P	9031113-03P	Connecting Strap Screw
15	9021001-04	9021001-04	Leg Set (4)
16	9051127-01	9051127-01	Ice Scoop
17	2031310-03S	2031310-03S	Leg Support (Includes Nut Retainers)
18	9031012-02P	9031012-02P	Nut Retainer 1/2-13
19	9051126-01	9051126-01	Drain Plug

P=Package Quantity

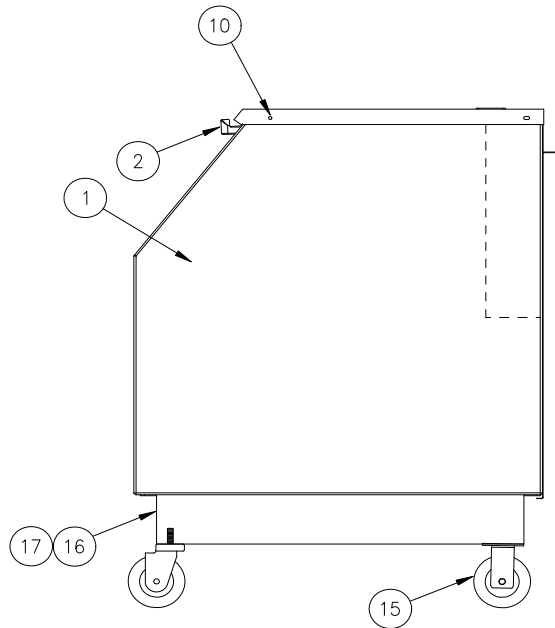
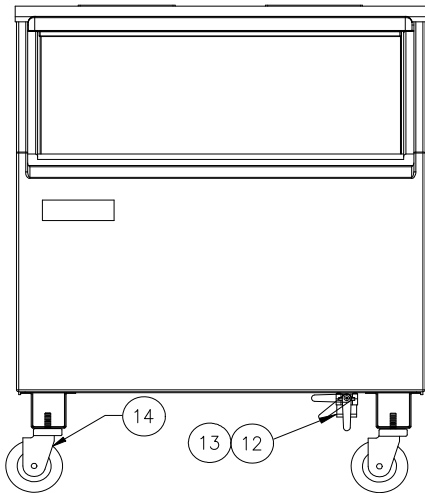
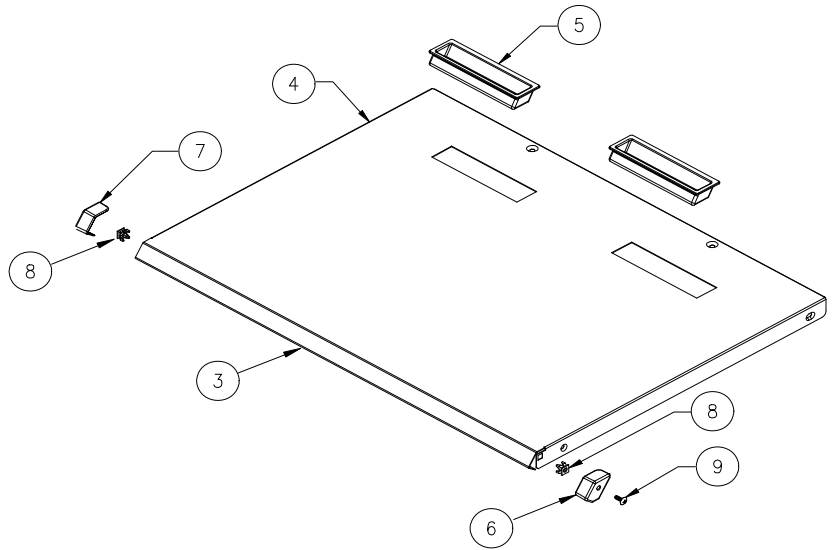
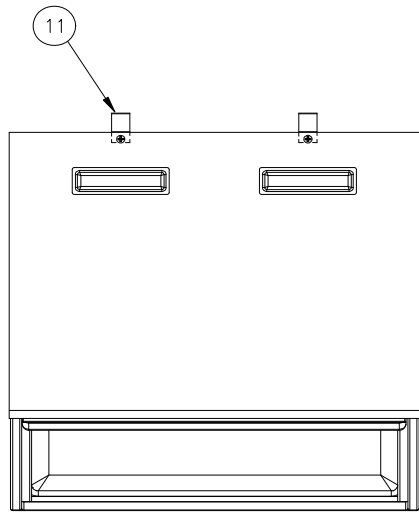


Item	B75	Description
1	1011369-01	Canopy NLA-NR
2	1011369-02	Baffle NLA-NR
3	1011369-03	Door Assembly NLA-NR
4	1011369-04	Drip Molding NLA-NR
5	1011369-05	Door Gasket (10 Feet Required) NLA-NR
6	1011369-06	Hinge R/H NLA-NR
7	1011369-07	Hinge L/H NLA-NR
8	1011369-08	Hinge Bushing NLA-NR
9	1011369-09	Hinge Spacer NLA-NR
10	1011369-10	Shoulder Screw NLA-NR
11	1011369-11	E-Clip NLA-NR
12	1011369-12	Drain Top NLA-NR
13	1011369-13	Legs, Painted (Set of 4) NLA-NR
14	1011369-14	Screw - Hinge to Frame NLA-NR
15	1011369-15	Screw - Hinge to Door NLA-NR
16	1011369-16	Door Hinge L/H NLA-NR
17	1011369-17	Door Hinge R/H NLA-NR
18	1011339-104	Gasket
19	1011351-69	O-Ring
20	1011351-05	Drain Bottom



Item	B100A Bin	Description
1	2031302-01	Hinge-Left Hand
2	2031302-02	Hinge-Right Hand
3	2031303-95	Door, 48 x 15 3/8 Black Only (Includes Gasket)
4	6081036-01	Door Gasket 6.50 Ft. Required
5	9031008-15P	Screw-Hinge to Door
6	<b>9051370-03</b>	Drip Shield/Ice Deflector <b>No Longer Available</b>
7	9031098-03P	Drip Shield Screw
8	9031141-01P	Plastic Nut
9	3012646-01	Drip Shield Stainless Steel Stiffener
10	9031113-04P	Drip Shield Stainless Steel Stiffener Screws
11	6081004-07	Drip Shield Gasket 4.0 Ft Required
12	6081004-06	Bin Perimeter Gasket 7.8 Ft. Required
13	3012608-01	Connecting Strap
14	9031113-04P	Connecting Strap Screw
15	9021001-04	Leg Set (4)
16	9051127-01	Ice Scoop
17	2031310-03S	Leg Support (Includes Nut Retainers)
18	9031012-02P	Nut Retainer 1/2-13
19	9051126-01	Drain Plug
20	3012664-01	Bin Door Reinforcement

P=Package Quantity



Item	CRT125	Description
1	9051214-01	Bin <b>NLA-NR</b>
2	9051310-01	Bin Door
3	2101414-01	Top Panel Assembly (Includes Items 4-8) <b>NLA-NR</b>
4	3021924-01	Top Panel Only
5	9021089-01	Recessed Handle
6	9051542-01	Corner Cap Right Hand <b>NLA-NR</b>
7	9051542-02	Corner Cap Left Hand <b>NLA-NR</b>
8	9031141-01P	Plastic Nut
9	9031098-02P	Plastic Corner Screw
10	9031023-10P	Top Panel Screw
11	3012780-01	Hose Clip
12	9091117-01	Drain Valve
13	9091097-01	Drain Elbow
14	9021088-01	Caster-Pivot (Front) (Each)
15	9021094-01	Caster-Fixed (Rear)(Each)
16	2021511-01	Leg Channel (Left and Right) <b>NLA-NR</b>
17	9031113-02P	Leg Channel Screw

Not Shown-Ice Scoop-9051127-02

P=Package Quantity