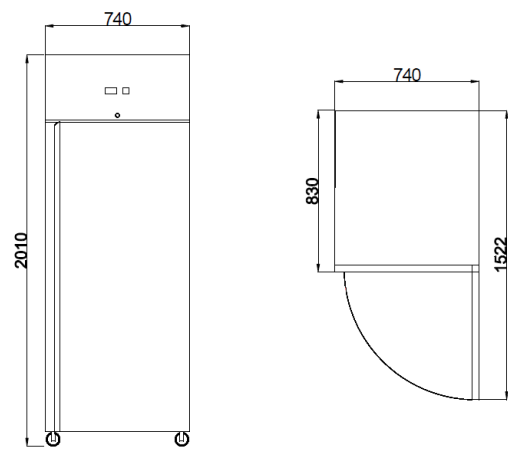
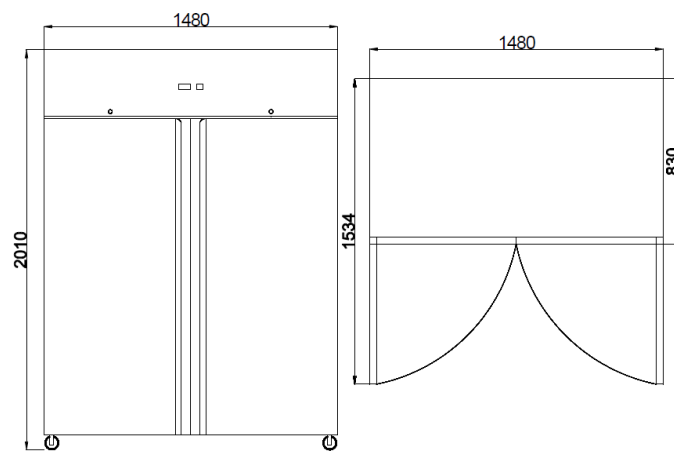


Technical Details	GRN-1R	GRN-1F	GRN-2R	GRN-2F
Dimension (W,D,H mm)	740 x 830 x 2010	740 x 830 x 2010	1480 x 830 x 2010	1480 x 830 x 2010
Internal Dimensions (W,D,H mm)	600 x 680 x 1400	600 x 680 x 1400	1340 x 680 x 1400	1340 x 680 x 1400
Capacity	595 Litres	595 Litres	1325 Litres	1325 Litres
Temperature Range	-2°C to +8°C	-18°C to -22°C	-2°C to +8°C	-18°C to -22°C
Temperature Control	Digital	Digital	Digital	Digital
Exterior Finish	Stainless Steel	Stainless Steel	Stainless Steel	Stainless Steel
Interior Finish	Stainless Steel	Stainless Steel	Stainless Steel	Stainless Steel
Shelves (2/1GN)	3	3	6	6
Defrost	Off Cycle	Heated	Off Cycle	Heated
Mains On/Off Switch	✓	✓	✓	✓
Internal Light	LED	LED	LED	LED
Door Switch	✓	✓	✓	✓
Weight	135kg	200kg	140kg	200kg
Energy Efficiency Rating	C	D	C	TBC
Climate Class	4	4	4	TBC
Energy Usage kWh/annum	559	2623	1028	TBC
Refrigerant	R600a	R290	R290	TBC
Available Options				
Gastronorm Guide Set	✓	✓	✓	✓
2/1 Gastronorm Shelf	✓	✓	✓	✓
Legs in lieu of castors	✓	✓	✓	✓



GN650



GN1410



GRN Series

Upright Service Cabinets

GRN-1R
GRN-1F
GRN-2R
GRN-2F

Project Distribution Ltd
Unit 1 Sun Street
Stoke on Trent
United Kingdom
ST1 4JW
01782 280289
sales@project-distribution.co.uk
www.prodis.co.uk



GRN Series

Thanks to years of research and development the GRN series offers massive energy savings over its predecessors with up to a 46% energy saving on some models.

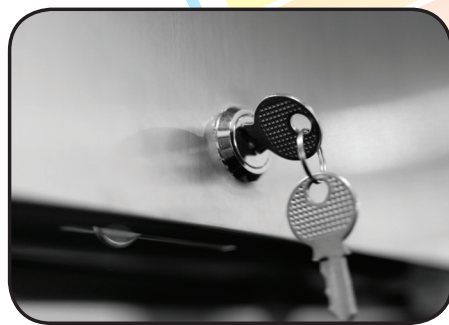
Hydrocarbon refrigerant has a zero ozone depletion potential and an ultra low global warming potential of <20 making it kind to the environment while saving energy and reducing your carbon footprint

The GRN Series is available as single and double door units as either a fridge or a freezer.

All GRN series cabinets are fitted with an externally mounted digital temperature controller to ensure a consistent temperature and easy monitoring.

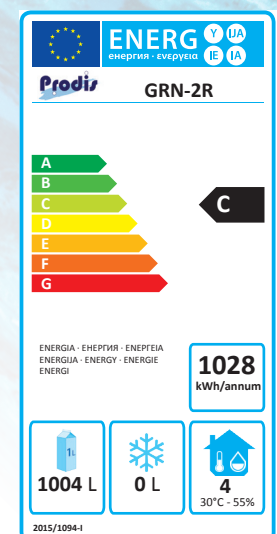
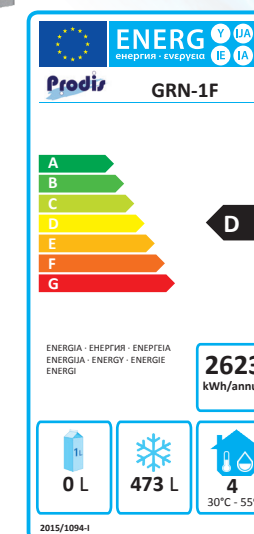
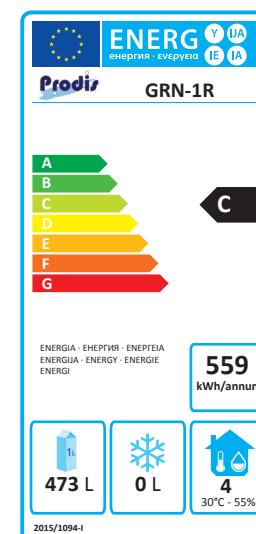
The full length door handle of the GRN series is formed as part of the door and is therefore extremely hard wearing and allows for quick and easy opening of the cabinets.

All units have fan assisted condensers for rapid temperature pull down.



Standard Features

- Self closing door
- Top mounted compressor
- Heavy duty full length door handle
- Automatic defrost
- Rounded interior corners
- 2/1GN compatible
- Digital temperature controller
- Mains on/off switch
- Lockable door
- Three shelves per door
- 60mm thick insulation
- Castors fitted as standard
- Full stainless steel construction
- Full adjustable removable shelves



GRN Series
Colder by nature

