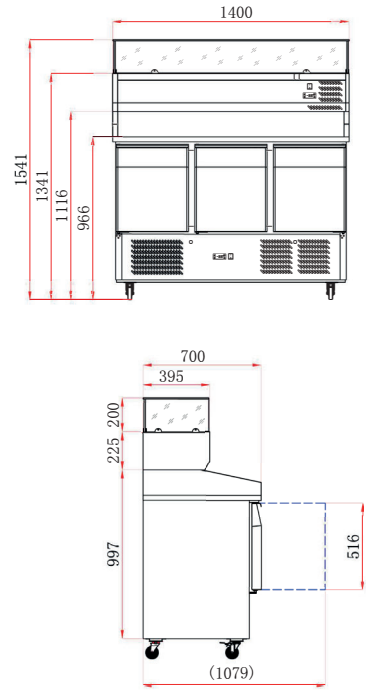


Compact Gastronorm Pizza Prep Counter

With Granite Worktop and Prep Top

BCC3PIZZA



FEATURES

- High grade AISI 304 stainless steel exterior & interior
- Granite work top with granite upstand to support refrigerated preparation top
- Internal corners rounded for easy cleaning
- 1 x adjustable GN1/1 shelf per door
- Refrigerated preparation top accepts 6 x GN1/4 containers (not supplied)
- 4 castors, front with brake
- Replaceable door gasket

TECHNICAL SPECIFICATIONS

- Controller: Dixell controller
- Cooling: Fan assisted
- Defrost: Automatic
- Refrigerant: R290
- Climate Class: 4
- Temperature Range: +2°C ~ +8°C
- Decibels: 42dBA
- Power Supply: 2x 13amp

MODEL	GROSS CAPACITY	CONTAINER CAPACITY	EXT. DIMENSIONS (H x W x D mm)	ENERGY RATING	POWER CONSUMPTION	KWH /ANNUM	WEIGHT (kg)	RRP
BCC3PIZZA	368L	6 x GN1/4	1541 x 1400 x 700	D*	240W + 110W	1432	236	

* Energy rating refers to base unit only.



See page 336 for full GN container range

