



# INSTRUCTION MANUNAL

**U/C White Refrigerator/Freezer**

**U/C SS Refrigerator/Freezer**

**400LTR White Refrigerator/Freezer**

**400LTR SS Refrigerator/Freezer**

**600LTR White Refrigerator/Freezer**

**600LTR SS Refrigerator/Freezer**

**Warranty**

**Tel: 03701 647 647**

**Email: [service@lockhartcatering.com](mailto:service@lockhartcatering.com)**

*Please read the manual before you use this product  
This manual contains Important Safety Instructions  
which must be strictly followed when using this  
equipment.*

## Safety Tips

- ▲ Position on a flat, stable surface.
- ▲ A service agent/qualified technician should carry out installation and any repairs if required. Do not remove any components or service panels on this product.
- ▲ Consult Local and National Standards to comply with The following:
  - \* Health and Safety at Work Legislation
  - \* BS EN Codes of Practice
  - \* Fire Precautions
  - \* IEE Wiring Regulations
  - \* Building Regulations
- ▲ DO NOT use jet/pressure washers to clean the appliance
- ▲ DO NOT use the appliance outside.
- ▲ DO NOT use electrical appliances inside the appliance (e.g. heaters, ice-cream makers etc.)
- ▲ DO NOT stand or support yourself on the base, drawers or doors.
- ▲ DO NOT allow oil or fat to come into contact with the plastic components or door seal. Clean immediately if contact occurs.
- ▲ DO NOT place more than 30 kg load on each shelf.



## WARNING:

Keep ventilation openings, in the appliance enclosure or in the built-in structure, clear of obstruction.

Do not use mechanical devices or other means to accelerate the defrosting process, other than those Recommended by the manufacturer.

Do not damage the refrigerant circuit.

Do not use electrical appliances inside the food storage compartments of the appliance, unless they are of the type recommended by the manufacturer.

- ▲ Bottles that contain a high percentage of alcohol must be sealed and placed vertically in the refrigerator.
- ▲ Always carry, store and handle the appliance in a vertical position and move by holding the base of the appliance.
- ▲ Always switch off and disconnect the power supply to the unit before cleaning.
- ▲ Keep all packaging away from children. Dispose of the packaging in accordance with the regulations of local authorities.
- ▲ If the power cord is damaged, it must be replaced by an agent or a recommended qualified technician in order to avoid a hazard.
- ▲ Do not store explosive substances such as aerosol cans with a flammable propellant in this appliance.
- ▲ This appliance can be used by children aged from 8 years and above and persons with reduced physical sensory or mental capabilities or lack of experience and knowledge if they have been given supervision or instruction concerning use of the appliance in a safe way and understand the hazards involved, children shall not play with the appliance, cleaning and user maintenance shall not be made by children without supervision. The instructions concerning persons (including children) with reduced physical, sensory or mental capabilities or lack of experience and knowledge and children playing with the appliance are not required. Sound pressure level at workstation is far below 70 dB.

## Introduction

Please take a few moments to carefully read through this manual. Correct maintenance and operation of this machine will provide the best possible performance from your product.

## Pack Contents

The following is included:

\*Refrigerator or Freezer

\*Shelves:

Model	Shelf	Bottom shelf
HEC906/907/908/909 SR20/SF20(S)	2	1
HEC910/911/HED105/106 SR40(S)/SR60(s)	3	1
HEC912/913/HED107/108 SF40V(S)/SF60V(s)	6	1

\*Door Key

\*Instruction manual

\*Shelf spacer and hook

\*Waste water tray

We pride ourselves on quality and service, ensuring that at the time of packaging the contents are supplied fully functional and free of damage. Should you find any damage as a result of transit, please contact your dealer immediately.

## Installation

**Note: If the appliance has not been stored or move in an upright position, let it stand upright for approximately 12 hours before operation. If in doubt allow the appliance to stand.**

1. Remove the appliance from the packaging. Make sure that all protective plastic film and coatings are thoroughly removed from all surfaces.
2. Maintain a distance of 20cm (7 inches) between the unit and walls or other objects for ventilation. Increase this distance if the obstacle is a heat source.

**Note: Before using the appliance for the first time, clean the shelves and interior with soapy water.**

3. Set the brakes on the castors to keep the appliance in position OR Level the appliance by adjusting the screw feet.

## Removable Gaskets

The door gasket keeps in the cold. For cleaning, it is easy to remove without the use of tools—simple and hygienic.



## Lock/Unlock the Doors

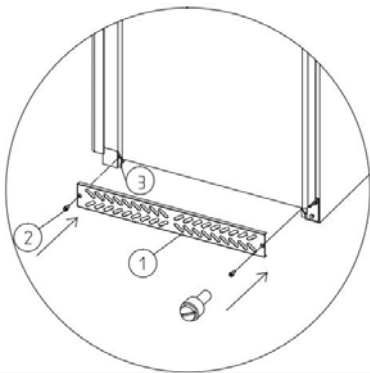
A lock is fitted to the doors to ensure foodstuffs are kept secure within your appliance. Use the keys provided to lock/unlock the door. All COMPACT models are equipped with a door lock, ensuring that stocks are safe after closing.



The R600a and R290 refrigerant used by this refrigerator

### Install bottom front panel

Bottom front panel is placed in interior box in when packing product, install bottom front panel with screws before using the product.



### Fitting the Waste Water Tray

The waste water tray comes ready to fit to the underside of the appliance. Slide the tray into the runners situated under the appliance

### Fitting the Shelves

1. Place one set of shelf guides on either side of the cabinet at the desired height.
2. Slide the shelf into place.
3. Repeat for the remaining shelves.

Note: This is vital for ensuring correct drainage of condensation.

### Operation

#### Storing Food

To get the best results from your appliance, follow these instructions:

\*Only store foodstuffs in the appliance when it has reached the correct operating temperature.

\*Do not place uncovered hot food or liquid inside the appliance.

\*Wrap or cover food where possible.

\*Do not obstruct the fans inside the appliance.

\*Avoid opening the doors for prolonged periods of time.

### Turn On

1. Close the door(s) of the appliance.
2. Ensure the power switch is set to {0} and turn on at the socket.
3. Switch on the Power{1}.The current temperature within the appliance is displayed.

### Automatic Defrost

SF40V(S) (HEC912/913) has forced air system in evaporator, which will automatically run a defrost cycle.

Note: The cycle starts from the time the appliance is initially powered up.

SF20(S)( HEC908/909) is direct cooling system, which need manual defrost.

### To manually defrost the appliance:

1. Press and hold the DEFROST Button for 5 seconds.
2. The defrost cycle will start immediately and the Defrost LED illuminates. The defrost will last a maximum of 30minutes.

Note: Starting a manual defrost also resets the automatic defrost timer. The next automatic defrost will start six hours after the manual defrost has finished.

3. Waste water is collected in the waste water tray.

### Cleaning,Care & Maintenance

▲ Switch off and disconnect from the power supply before cleaning.

▲ Clean the interior of the appliance as often as possible.

▲ Do not use abrasive cleaning agents. These can leave harmful residues.

▲ Clean the door seal with water only.

▲ Always wipe dry after cleaning.

▲ Do not allow water used in cleaning to run through the drain hole into the evaporation pan.

▲ Take care when cleaning the rear of the appliance. Sharp edges can cut.

▲ An agent or qualified technician must carry out repairs if required.

### Cleaning the Condenser

Periodically cleaning the condenser can extend the life of the appliance.

We recommend that our agent or qualified technician clean the condenser.

## Troubleshooting

If your appliance develops a fault, please check the following table before making a call to your retailer.

Fault	Probable Cause	Action
The appliance is not working	The unit is not switched on	Check the unit is plugged in correctly and switched on
	Plug and lead are damaged	Call your agent or qualified Technician
	Fuse in the plug has blown	Replace the fuse
	Power supply	Check power supply
	Internal wiring fault	Call your agent or qualified Technician
The appliance turns on, but the temperature is too high/low	Too much ice on the evaporator	Defrost the appliance
	Condenser blocked with dust	Call your agent or qualified Technician
	Doors are not shut properly	Check doors are shut and seals are not damaged
	Appliance is located near a heat source or air flow to the condenser is being interrupted	Move the refrigerator to a more suitable location
	Ambient temperature is too high	Increase ventilation or move appliance to a cooler position
	Unsuitable foodstuffs are being stored in the appliance	Remove any excessive hot foodstuffs or blockages to the fan
The appliance is leaking water	Appliance is overloaded	Reduce the amount of food stored in the appliance
	The appliance is not properly levelled	Adjust the screw feet to level the appliance(if applicable)
	The discharge outlet is blocked	Clear the discharge outlet
	Movement of water to the drain is obstructed	Clear the floor of the appliance(if applicable)
	The water container is damaged	Call your agent or qualified Technician
The appliance is unusually loud	The drip tray is overflowing	Empty the drip tray(if applicable)
	Loose nut/screw	Check and tighten all nuts and screws
	The appliance has not been installed in a level or stable position	Check installation position and change if necessary

## Technical Specifications

Model NO.	Model (ref)	Voltage (V)	Current (A)	Temperature (°C)	Net Capacity (Lt.)	Dimensions D*W*H(mm)	Weight (Kg)	Refrigerant
HEC906	SR20	220-240VAC 50Hz	1.4	0~8	170	600*600*870	42	R600a/54g
HEC907	SR20S							
HEC908	SF20	220-240VAC 50Hz	2	-18~-22	170	600*600*870	44	R600a/65g
HEC909	SF20S							
HEC910	SR40	220-240VAC 50Hz	1.4	0~8	239	600*600*1870	68	R600a/128g
HEC911	SR40S							
HEC912	SF40V	220-240VAC 50Hz	2.6	-18~-22	206	600*600*1870	85	R290/128g
HEC913	SF40VS							
HED105	SR60	220-240VAC 50Hz	2	0~8	376	775*720*1885	81	R600a/145g
HED106	SR60S							
HED107	SF60V	220-240VAC 50Hz	2.8	-18~-22	321	775*720*1885	101	R290/110g
HED108	SF60VS							





IN CASE THE SUPPLY CABLE IS DAMAGED. THE MANUFACTURER OR THE AFTER-SALES SERVICE. OR QUALIFIED TECHNICIAN SHALL REPLACE IT .IN ORDER TO PREVENT ANY POSSIBLE RISK.

THE ELECTRIC PARTS REPAIR AND REPLACEMENT SHALL BE CARRIED OUT BY QUALIFIED TECHNICIANS. WITH POWER SUPPLY DISCONNECTED.

ONLY QUALIFIED TECHNICIANS SHALL CARRY OUT THE EXTRAORDINARY MAINTENANCE INTERVENTIONS.

## Electrical Wiring

Appliances are supplied with a 3 pin,moulded,BS1363 plug and lead, with a 13 amp fuse as standard.

The plug is to be connected to a suitable mains socket. Appliances are wired as follows:

Live wire (coloured brown) to terminal marked L

Neutral wire(coloured blue) to terminal marked N

Earth wire(coloured green/yellow) to terminal marked E

All appliances must be earthed, using a dedicated earthing circuit.

If in doubt consult a qualified electrician.

Electrical isolation points must be kept clear of any obstructions. In the event of any emergency disconnection being required they must be readily accessible.

## Disposal

EU regulations require refrigeration product to be disposed of by specialist companies who remove or recycle all gasses,metal and plastic components.

Consult your local waste collection authority regarding disposal of your appliance. Local authorities are not obliged to dispose of commercial refrigeration equipment but may be able to offer advice on how to dispose of the equipment locally.

## Compliance

Parts have undergone strict product testing in order to comply with regulatory standards and specifications set by international, independent, and federal authorities.

Products have been approved to carry the following symbol:



### Disposal of packaging

All packaging materials should be disposed of in an environmentally friendly way.

The cardboard may be used as scrap paper. The protective foil and the foam cushions are CFC-free.

Do not allow children to play with the packaging and destroy plastic bags safely.

You can break or cut the cardboard into smaller pieces and give to a waste paper disposal service.

### Environmental protection

Discarded electric appliances are recyclable and should not be discarded in the domestic waste!

Please actively support us in conserving resources and protecting the environment by returning this appliance to the collection centres (if available).



