



WATER



GAS



ENVIRONMENT



PEST CONTROL

## HAND WASH STATIONS

# NEW BASIX

The new BaSix range is the next generation of hand wash stations, designed to promote optimal hygiene practise with minimal fuss.



## BENEFITS

Mechline's new BaSix range is manufactured using a unique combination of high grade polished 304 Austenitic stainless steel for the bowl and deck, and a high grade, high strength injection moulded ABS-Polycarbonate for the skirt.

The combination provides a robust, easy to clean and easy to install basin which has been specifically designed to be ideal for commercial kitchen installations.



- across the whole range.



**The law governing food preparation areas requires that separate wash hand basins must be provided in any food area, which must only be used for washing hands and be easy to get at and use.**

The basin must provide hot and cold running water (or a single feed at a suitable temperature) and suitable drainage. It is commonly recommended that hand washing should take at least 20 seconds of continuous lathering using soap and running water.

For this reason Mechline supplies wash hand basins as standard without plugs to prevent the accumulation of water and other materials in the basin.

This policy also helps satisfy the requirement that facilities for washing food and utensils are to be separate from hand washing facilities and that food preparation tasks are conducted in appropriate purpose supplied sinks and not in hand wash basins.



WATER



GAS



ENVIRONMENT



PEST CONTROL

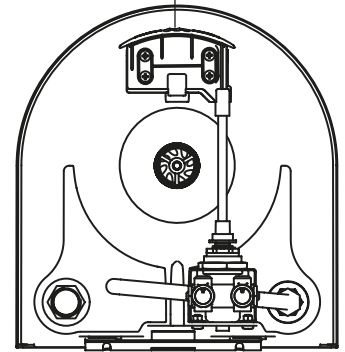
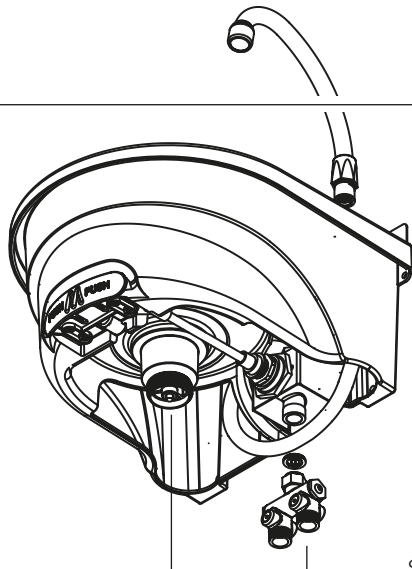
## HAND WASH STATIONS

## BASIX



Mounting bracket supplied with every model for fast and easy installation

Push-Front panel with all KVS models

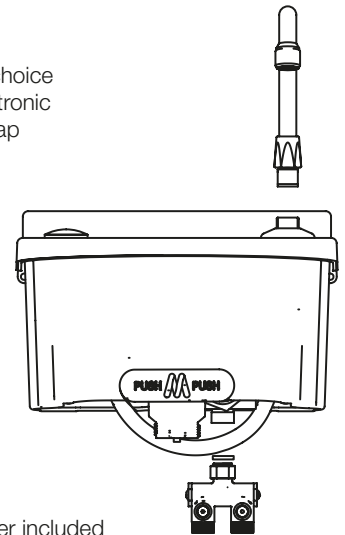
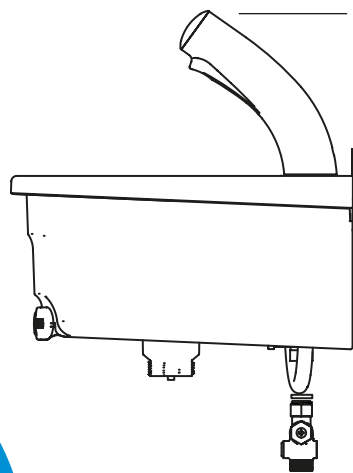


400i basin with integral splashback

Supplied complete with drain boss and mixing valve, if applicable



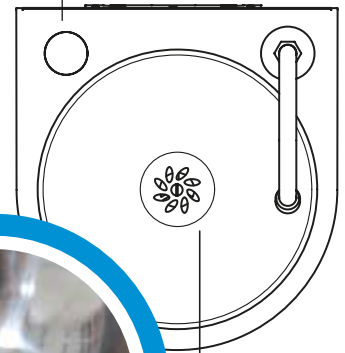
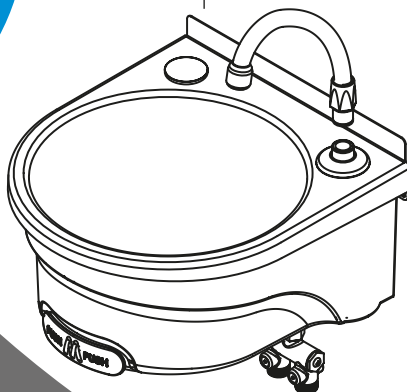
Basins supplied with a choice of tap including the electronic Delabie Tempomatic 3 tap



Tap hole stopper included



No fascia mounting screws, which can attract dirt



Integral flush grate waste reduces the risk of bacterial development



WATER



GAS



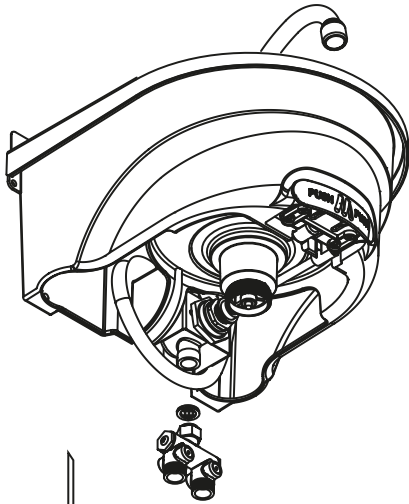
ENVIRONMENT



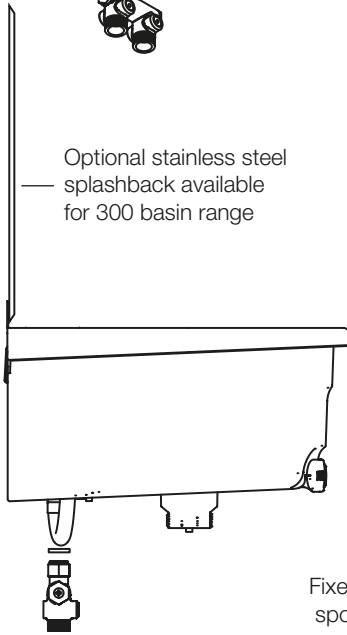
PEST CONTROL

## HAND WASH STATIONS

# BASIX

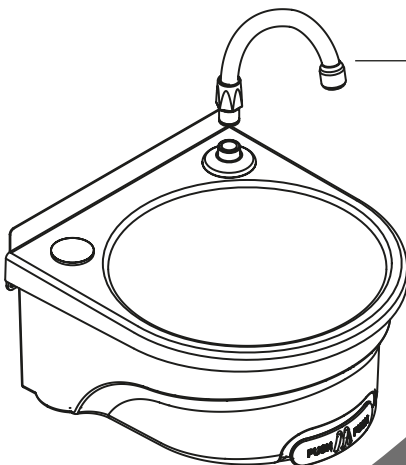


Optional stainless steel splashback available for 300 basin range



High grade polished 304 austenitic stainless steel for the bowl and deck, and a high grade, high strength injection moulded ABS-Polycarbonate for the skirt

Fixed chrome-plated brass spout comes as standard on our hands-free front panel operated basins



Our hands-free 'Push-Front' panel operated basins feature soft-touch technology, allowing users to operate the basin with no effort

- **WRAS APPROVED PRODUCT** - across the whole range
- **Curved design**, ideal for commercial kitchens
- **No sharp corners** for kitchen staff to knock into
- Easy to clean **integral flush grated waste** reduces the risk of bacterial development
- Bowl and deck are permanently bonded to the skirt, removing the need for exposed bolts or rivets
- **High strength** injection moulded skirt removes the possibility of cut hazards created by sharp stainless steel edge
- **Soft-touch, front panel** operated basins are part of the range
- **Mounting bracket with integral spirit level** for fast and easy installation
- Basins supplied **pre-fitted with hardware** of your choice for fast and easy installation
- **Optional waste bins** can be fitted to all models
- **Stylish, functional** design





WATER



GAS



ENVIRONMENT



PEST CONTROL

## HAND WASH STATIONS

# BASIX

# BUILD YOUR PERFECT HAND WASH STATION IN 2 EASY STEPS

## 1 CHOOSE YOUR BASIN



**BSX-300**

O/D: 300 x 320 x 160mm  
Bowl: 260mm dia. x 130mm deep

Optional splashback, soap dispenser and waste bin are also available.

Supplied with a push-front panel if you choose the 'hands-free' operated spout option (KVS)



**BSX-400**

O/D: 400 x 360 x 160mm  
Bowl: 358 x 310 x 130mm deep

Optional soap dispenser and waste bin are also available.

Supplied with a push-front panel if you choose the 'hands-free' operated spout option (KVS)



**BSX-400i**

Same as the BSX-400 but with an integral splashback



## 2 CHOOSE YOUR TAP



SAVE WATER & IMPROVE HYGIENE  
WITH INTELLIGENT DESIGN



**AQUATECHNIX**

Pair of WRAS LEVER taps

**TX-BL**

Pair of WRAS DOME taps

**TX-BD**



**CATERTAP**

Pair of WRAS 3" LEVER taps

**CT-L**

Pair of WRAS DOME taps

**CT-D**



**CATERTAP**

Single WRAS 3" LEVER tap with manual mixer

**ML**

ML is only an option with the BSX-300.



**BASIX**

**HANDS-FREE**  
WRAS push-front panel operated fixed spout with manual mixer

**KVS**

As above with thermostatic mixer

**KVS-T**



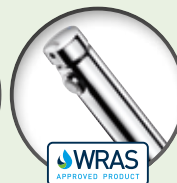
**DELABIE**

**HANDS-FREE**  
Tempomatic 3 battery-operated WRAS tap with manual mixer

**NT**

As above with thermostatic mixer

**NT-T**



**DELABIE**

Soft-touch operated, time flow WRAS tap with manual mixer

**T2**

As above with thermostatic mixer

**T2-T**



**DELABIE**

**HANDS-FREE**  
Tempomatic 4 battery-operated WRAS tap non-mixer

**NT4**

As above with thermostatic mixer

**NT4-T**





WATER



GAS



ENVIRONMENT



PEST CONTROL

## HAND WASH STATIONS

# BASIX

### 300 MODELS

Basin O/D: 300 x 320 x 160 Bowl: 260 dia. x 130 deep

With your choice of tap, or there's an easy push-front panel basin for the "hands-free" operated spout option (KVS).



with fixed spout and push-front panel

**BSX-300-KVS**



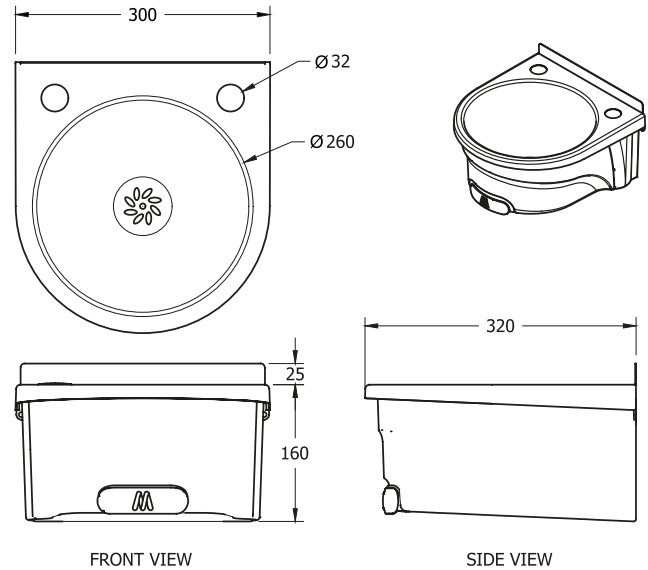
with CaterTap lever taps

**BSX-300-CT-L**



with CaterTap dome taps

**BSX-300-CT-D**



FRONT VIEW

SIDE VIEW

Complete with basin, 1 1/4-inch BSP drain boss and your choice of tap or push-front panel operated spout (with mixing valve)



Model	Description	WRAS Approved Product
<b>BSX-300-TX-BL</b>	with a pair of AquaTechnix LEVER taps	
<b>BSX-300-TX-BD</b>	with a pair of AquaTechnix DOME taps	
<b>BSX-300-CT-L</b>	with a pair of CaterTap 3" LEVER taps	
<b>BSX-300-CT-D</b>	with a pair of CaterTap DOME taps	
<b>BSX-300-ML</b>	with single 3" LEVER tap and manual mixer	
<b>Water Savings and Hygiene Options</b>		
<b>BSX-300-KVS</b>	'Push-Front', Hands-Free mechanical operation Includes fixed spout, M-MX91 manual mixer, water hose & tap hole stopper	
<b>BSX-300-KVS-T</b>	'Push-Front', Hands-Free mechanical operation Includes fixed spout, Premix Nano thermostatic mixer, water hose & tap hole stopper	
<b>BSX-300-NT</b>	Battery-Operated, Hands-Free operation Includes Delabie Tempomatic 3 tap, M-MX91 manual mixer, water hose & tap hole stopper	
<b>BSX-300-NT-T</b>	Battery-Operated, Hands-Free operation Includes Delabie Tempomatic 3 tap, Premix Nano thermostatic mixer, water hose & tap hole stopper	
<b>BSX-300-NT4</b>	Battery-Operated, Hands-Free operation Includes Delabie Tempomatic 4 tap, M-MX91 manual mixer, water hose & tap hole stopper	
<b>BSX-300-T2</b>	Soft-touch operated, time flow tap Includes Delabie Temposoft 2 tap, M-MX91 manual mixer, water hose & tap hole stopper	
<b>BSX-300-T2-T</b>	Soft-touch operated, time flow tap Includes Delabie Temposoft 2 tap, Premix Nano thermostatic mixer, water hose & tap hole stopper	

### FURTHER OPTIONS

Model	Description	Image
<b>BSX300-SPL</b>	Optional Splashback for 300 models only, 315(H) x 300(W)	
<b>BSX-SPD</b>	Optional Soap Dispenser See page 104 for more details	
<b>BSX-WASTE-BIN</b>	Optional Waste Bin Hangs neatly under the basin	



WATER



GAS



ENVIRONMENT



PEST CONTROL

## HAND WASH STATIONS

# BASIX

### 400 MODELS

Basin O/D: 400 x 360 x 160 Bowl: 358 x 310 x 130 deep

With your choice of tap, or there's an easy push-front panel basin for the "hands-free" operated spout option (KVS).

with battery-operated, hands-free operation

**BSX-400-NT**



with AquaTechnix dome taps

**BSX-400-TX-BD**



with CaterTap lever taps

**BSX-400-CT-L**





FRONT VIEW

SIDE VIEW



Complete with basin, 1 1/4-inch BSP drain boss and your choice of tap or push-front panel operated spout (with mixing valve)

Model	Description	WRAS Approved Product
<b>BSX-400-TX-BL</b>	with a pair of AquaTechnix LEVER taps	
<b>BSX-400-TX-BD</b>	with a pair of AquaTechnix DOME taps	
<b>BSX-400-CT-L</b>	with a pair of CaterTap 3" LEVER taps	
<b>BSX-400-CT-D</b>	with a pair of CaterTap DOME taps	
Water Savings and Hygiene Options		
<b>BSX-400-KVS</b>	'Push-Front', Hands-Free mechanical operation Includes fixed spout, M-MX91 manual mixer, water hose & tap hole stopper	
<b>BSX-400-KVS-T</b>	'Push-Front', Hands-Free mechanical operation Includes fixed spout, Premix Nano thermostatic mixer, water hose & tap hole stopper	
<b>BSX-400-NT</b>	Battery-Operated, Hands-Free operation Includes Delabie Tempomatic 3 tap, M-MX91 manual mixer, water hose & tap hole stopper	
<b>BSX-400-NT-T</b>	Battery-Operated, Hands-Free operation Includes Delabie Tempomatic 3 tap, Premix Nano thermostatic mixer, water hose & tap hole stopper	
<b>BSX-400-NT4</b>	Battery-Operated, Hands-Free operation Includes Delabie Tempomatic 4 tap, M-MX91 manual mixer, water hose & tap hole stopper	
<b>BSX-400-T2</b>	Soft-touch operated, time flow tap Includes Delabie Temposoft 2 tap, M-MX91 manual mixer, water hose & tap hole stopper	
<b>BSX-400-T2-T</b>	Soft-touch operated, time flow tap Includes Delabie Temposoft 2 tap, Premix Nano thermostatic mixer, water hose & tap hole stopper	

FURTHER OPTIONS	
Model	Description
<b>BSX400-SPL</b>	Optional Splashback for 400 models only, 360(H) x 400(W)
<b>BSX-SPD</b>	Optional Soap Dispenser See page 104 for more details
<b>BSX-WASTE-BIN</b>	Optional Waste Bin Hangs neatly under the basin



WATER



GAS



ENVIRONMENT



PEST CONTROL

## HAND WASH STATIONS

# BASIX

### 400i MODELS

Basin O/D: 400 x 360 x 510 Bowl: 358 x 310 x 130 deep

With your choice of tap, or there's an easy push-front panel basin for the "hands-free" operated spout option (KVS).



with soft-touch operated, time flow tap

**BSX-400i-T2**



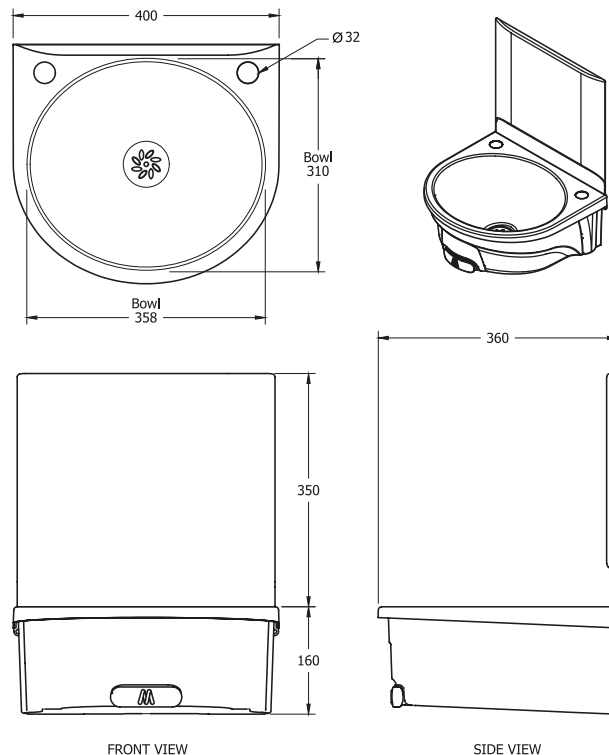
with CaterTap dome taps

**BSX-400i-CT-D**



with AquaTechnix lever taps

**BSX-400i-TX-BL**



FRONT VIEW

SIDE VIEW



Model	Description	WRAS Approved Product
<b>BSX-400i-TX-BL</b>	with a pair of AquaTechnix LEVER taps	
<b>BSX-400i-TX-BD</b>	with a pair of AquaTechnix DOME taps	
<b>BSX-400i-CT-L</b>	with a pair of CaterTap 3" LEVER taps	
<b>BSX-400i-CT-D</b>	with a pair of CaterTap DOME taps	
Water Savings and Hygiene Options		
<b>BSX-400i-KVS</b>	'Push-Front', Hands-Free mechanical operation Includes fixed spout, M-MX91 manual mixer, water hose & tap hole stopper	
<b>BSX-400i-KVS-T</b>	'Push-Front', Hands-Free mechanical operation Includes fixed spout, Premix Nano thermostatic mixer, water hose & tap hole stopper	
<b>BSX-400i-NT</b>	Battery-Operated, Hands-Free operation Includes Delabie Tempomatic 3 tap, M-MX91 manual mixer, water hose & tap hole stopper	
<b>BSX-400i-NT-T</b>	Battery-Operated, Hands-Free operation Includes Delabie Tempomatic 3 tap, Premix Nano thermostatic mixer, water hose & tap hole stopper	
<b>BSX-400i-NT4</b>	Battery-Operated, Hands-Free operation Includes Delabie Tempomatic 4 tap, M-MX91 manual mixer, water hose & tap hole stopper	
<b>BSX-400i-T2</b>	Soft-touch operated, time flow tap Includes Delabie Temposoft 2 tap, M-MX91 manual mixer, water hose & tap hole stopper	
<b>BSX-400i-T2-T</b>	Soft-touch operated, time flow tap Includes Delabie Temposoft 2 tap, Premix Nano thermostatic mixer, water hose & tap hole stopper	

Complete with basin, 1 1/4-inch BSP drain boss and your choice of tap or push-front panel operated spout (with mixing valve)

#### FURTHER OPTIONS

Model	Description	
<b>BSX-SPD</b>	Optional Soap Dispenser See page 104 for more details	
<b>BSX-WASTE-BIN</b>	Optional Waste Bin Hangs neatly under the basin	



WATER



GAS



ENVIRONMENT



PEST CONTROL

## HAND WASH STATIONS

# BASIX

The BaSix range offers a range of hygienic hand washing solutions including Janitorial & Mop Sinks



SAVE WATER AND IMPROVE HYGIENE WITH INTELLIGENT DESIGN

### BENEFITS

Mechline's BaSix range of hygienic hand-washing solutions help operations meet their requirement to provide hand-washing stations for staff on site. By giving the tools to make it easier and faster, good and safe habits are more easily followed and enforced.

Hands-free use significantly reduces cross-contamination and risk from germs and bacteria to improve health and safety.



#### Water Savings

With Delabie electronic hands-free taps you could enjoy up to 90% water savings! - approx. £1300 pa. based on standard foodservice operations.



#### Improve Hygiene

Hand-washing is the number one prevention against the spread of bacteria and pathogens. Good hand-washing habits can be encouraged with the right equipment.



#### Utility Sinks

Robust stainless steel construction utility sinks featuring lift out (removable) mop strainer.







WATER



GAS



ENVIRONMENT



PEST CONTROL

## HAND WASH STATIONS

# BASIX

# BUILD YOUR PERFECT HAND WASH STATION IN 3 EASY STEPS

## 1 CHOOSE YOUR BASIN



**WS1**

**GREY ABS Polycarbonate basin**  
**O/D: 355 x 320 x 195mm**  
**Bowl: 255 x 278 x 110mm deep**  
*Optional splashback and soap dispenser also available.*



**WS1**

**As above in WHITE**  
*Please also complete step 3 if the WHITE WS1 is your preferred basin.*



**WS2**

**Stainless steel (304) basin**  
**O/D: 305 x 270 x 140mm**  
**Bowl: 240mm dia. x 135mm deep**  
*Optional soap dispenser also available.*



**WS3**

**Stainless steel (304) basin.**  
**Push-front panel style when fitted with hands-free KVS**  
**O/D: 300 x 320 x 195mm**  
**Bowl: 260mm dia. x 150mm deep**  
*Optional splashback and soap dispenser also available.*



**WS4**

**Stainless steel (304) basin**  
**O/D: 384 x 333 x 138mm**  
**Bowl: 300mm dia. x 138mm deep**  
*Optional soap dispenser also available.*



**WS6**

**Stainless steel (304) push-front panel style basin with integral splashback**  
**O/D: 420 x 375 x 570mm**  
**Bowl: 360 x 270 x 100mm deep**  
*Optional soap dispenser and waste bin also available.*

## 2 CHOOSE YOUR TAP



**AQUATECHNIX**

**Pair of WRAS LEVER taps**

**TX-BL**

**Pair of WRAS DOME taps**

**TX-BD**

*All above not an option with WS6.*



**CATERTAP**

**Pair of WRAS 3" LEVER taps**

**L**

**D**

**Single WRAS 3" LEVER tap with manual mixer**

**ML**

**Single 3" LEVER tap with thermostatic mixer**

**ML-T**

*All above not an option with WS6.*



**CATERTAP**

**Monobloc, single LEVER mixer tap**

**MM**

*Not with WS6.*



**BASIX**

**HANDS-FREE** knee-valve operated spout for WS1, WS2 or WS4 and push-front panel operated spout for WS3 or WS6 with manual mixer

**KVS**



**DELABIE**

**HANDS-FREE** TEMPOMATIC 3 battery-operated WRAS tap with manual mixer

**NT**

*Not an option with WS2.*



**DELABIE**

Soft-touch time flow WRAS tap with manual mixer

**T2**

with thermostatic mixer

**T2-T**

*All above not an option with WS6.*



**DELABIE**

**HANDS-FREE** Tempomatic 4 battery-operated WRAS tap non-mixer

**NT4**

As above with thermostatic mixer

**NT4-T**



**DELABIE**

'Auto shut-off' single LEVER tap with manual mixer

**MT**

with thermostatic mixer

**MT-T**

*All above not an option with WS6.*

**SAVE WATER & IMPROVE HYGIENE WITH INTELLIGENT DESIGN**





WATER



GAS



ENVIRONMENT



PEST CONTROL

## HAND WASH STATIONS

# BASIX

### 3 HAVE YOU CHOSEN A WHITE WS1?

This STEP is only applicable if you prefer the WHITE WS1 basin in STEP 1 (Grey WS1 basins are standard). Please add **WHITE** to the end of your order code.

#### ORDER CODE EXAMPLES

Basin	Tap	White WS1?		Codes would be written as:
WS3	KVS		=	WS3-KVS
WS1	T2	WHITE	=	WS1-T2-WHITE

#### WS1 MODELS

ABS Polycarbonate basin O/D: 355 x 320 x 195 Bowl: 255 x 278 x 110 deep

Engineered from a single-piece, moulded high-grade polycarbonate ABS plastic, the WS1 is ergonomic, attractive, strong & durable with no sharp edges. **SaniTru® antimicrobial additive** embedded in the basin material resists mould, mildew & grime to provide a cleaner surface. Eco-friendly, the WS1 can be fully recycled & has lower embedded energy costs than traditional stainless steel basins. **Designed & manufactured in the UK by Mechline.**



WS1-L

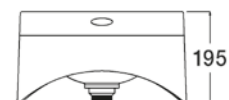
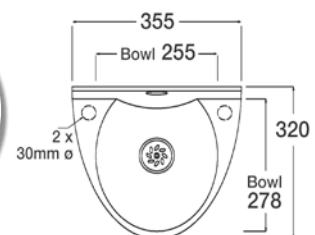
Complete with basin, 1 1/4-inch BSP drain boss, choice of tap or hands-free control (with mixing valve).



WS1-KVS-WHITE

*pictured with SPL-WS1*

Grey basins are standard. Please clearly indicate "WHITE" after model ref. if preferred.



1 1/4-inch BSP

Model	Description	WRAS
WS1-TX-BL	with a pair of AquaTechnix LEVER taps	
WS1-TX-BD	with a pair of AquaTechnix DOME taps	
WS1-L	with a pair of CaterTap 3" LEVER taps	
WS1-D	with a pair of CaterTap DOME taps	
WS1-ML	with single 3" LEVER tap and manual mixer	
WS1-ML-T	with single 3" LEVER tap and thermostatic mixer	
WS1-MM	with Monobloc, single LEVER mixer tap	
<b>Water Savings and Hygiene Options</b>		
WS1-KVS	Knee-Operated, Hands-Free mechanical operation Includes knee-valve, fixed spout, M-MX91 manual mixer, water hose & tap hole stopper	
WS1-NT	Battery-Operated, Hands-Free operation Includes Delabie Tempomatic 3 tap, M-MX91 manual mixer, water hose & tap hole stopper	
WS1-NT4	Battery-Operated, Hands-Free operation Includes Delabie Tempomatic 4 tap, M-MX91 manual mixer, water hose & tap hole stopper	

Model	Description	WRAS
WS1-T2	Soft-touch operated, time flow tap Includes Delabie Temposoft 2 tap, M-MX91 manual mixer, water hose & tap hole stopper	
WS1-T2-T	Soft-touch operated, time flow tap Includes Delabie Temposoft 2 tap, Premix Nano thermostatic mixer, water hose & tap hole stopper	
WS1-MT	with 'auto shut-off' single LEVER tap and manual mixer	
WS1-MT-T	with 'auto shut-off' single LEVER tap and thermostatic mixer	
<b>Further Options</b>		
SPL-WS1	Optional Splashback for WS1 models only, 245(H) x 342(W)	
BSX-SPD	Optional Soap Dispenser - See page 104 for more details	



WATER



GAS



ENVIRONMENT



PEST CONTROL

## HAND WASH STATIONS

# BASIX

### WS2 MODELS

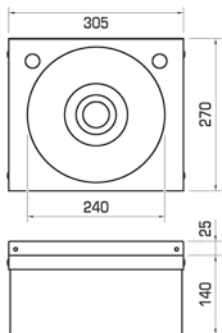
Stainless steel (304) basin O/D: 305 x 270 x 140

Bowl: 240 dia. x 135 deep

Choose your **tap**, or “hands-free” knee-valve operated spout (KVS) to create your perfect hand wash station.



WS2-T2



WS2-KVS

Complete with basin, 1 1/4-inch BSP drain boss, choice of tap or hands-free control (with mixing valve)

Model	Description	WRAS Approved Product
WS2-TX-BL	with a pair of AquaTechnix LEVER taps	
WS2-TX-BD	with a pair of AquaTechnix DOME taps	
WS2-L	with a pair of CaterTap 3" LEVER taps	
WS2-D	with a pair of CaterTap DOME taps	
WS2-ML	with single 3" LEVER tap and manual mixer	
WS2-ML-T	with single 3" LEVER tap and thermostatic mixer	
WS2-MM	with Monobloc, single LEVER mixer tap	
Water Savings and Hygiene Options		
WS2-KVS	Knee-Operated, Hands-Free mechanical operation Includes knee-valve, fixed spout, M-MX91 manual mixer, water hose & tap hole stopper	
WS2-T2	Soft-touch operated, time flow tap Includes Delabie Temposoft 2 tap, M-MX91 manual mixer, water hose & tap hole stopper	
WS2-T2-T	Soft-touch operated, time flow tap Includes Delabie Temposoft 2 tap, Premix Nano thermostatic mixer, water hose & tap hole stopper	
WS2-MT	with 'auto shut-off' single LEVER tap and manual mixer	
WS2-MT-T	with 'auto shut-off' single LEVER tap and thermostatic mixer	
Further Options		
BSX-SPD	Optional Soap Dispenser See page 104 for more details	

### WS3 MODELS

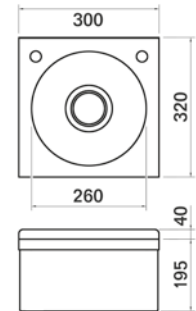
Stainless steel (304) basin O/D: 300 x 320 x 195

Bowl: 260 dia. x 150 deep

Choose your **tap**, or there's an easy push-front panel for the “hands-free” operated spout option (KVS).



WS3-KVS



WS3-NT

pictured with SPL-WS3



Complete with basin, 1 1/4-inch BSP drain boss, choice of tap or hands-free control (with mixing valve)

Model	Description	WRAS Approved Product
WS3-TX-BL	with a pair of AquaTechnix LEVER taps	
WS3-TX-BD	with a pair of AquaTechnix DOME taps	
WS3-L	with a pair of CaterTap 3" LEVER taps	
WS3-D	with a pair of CaterTap DOME taps	
WS3-ML	with single 3" LEVER tap and manual mixer	
WS3-ML-T	with single 3" LEVER tap and thermostatic mixer	
WS3-MM	with Monobloc, single LEVER mixer tap	
Water Savings and Hygiene Options		
WS3-KVS	'Push-Front', Hands-Free mechanical operation Includes fixed spout, M-MX91 manual mixer, water hose & tap hole stopper	
WS3-NT	Battery-Operated, Hands-Free operation Includes Delabie Tempomatic 3 tap, M-MX91 manual mixer, water hose & tap hole stopper	
WS3-NT4	Battery-Operated, Hands-Free operation Includes Delabie Tempomatic 4 tap, M-MX91 manual mixer, water hose & tap hole stopper	
WS3-T2	Soft-touch operated, time flow tap Includes Delabie Temposoft 2 tap, M-MX91 manual mixer, water hose & tap hole stopper	
WS3-T2-T	Soft-touch operated, time flow tap Includes Delabie Temposoft 2 tap, Premix Nano thermostatic mixer, water hose & tap hole stopper	
WS3-MT	with 'auto shut-off' single LEVER tap and manual mixer	
WS3-MT-T	with 'auto shut-off' single LEVER tap and thermostatic mixer	
Further Options		
SPL-WS3	Optional Splashback for WS3 models only, 315(H) x 300(W)	
BSX-SPD	Optional Soap Dispenser See page 104 for more details	



WATER



GAS



ENVIRONMENT



PEST CONTROL

## HAND WASH STATIONS

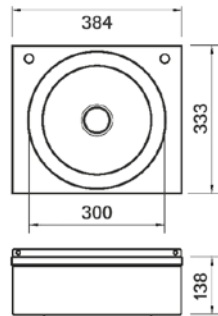
# BASIX

### WS4 MODELS

Stainless steel (304) basin O/D: 384 x 333 x 138

Bowl: 300 dia. x 138 deep

Choose your **tap**, or “hands-free” knee-valve operated spout (KVS) to create your perfect hand wash station.



Complete with basin, 1 1/4-inch BSP drain brass, choice of tap or hands-free control (with mixing valve)

Model	Description	WRAS
WS4-TX-BL	with a pair of AquaTechnix LEVER taps	
WS4-TX-BD	with a pair of AquaTechnix DOME taps	
WS4-L	with a pair of CaterTap 3" LEVER taps	
WS4-D	with a pair of CaterTap DOME taps	
WS4-ML	with single 3" LEVER tap and manual mixer	
WS4-ML-T	with single 3" LEVER tap and thermostatic mixer	
WS4-MM	with Monobloc, single LEVER mixer tap	

#### Water Savings and Hygiene Options

WS4-KVS	Knee-Operated, Hands-Free mechanical operation Includes knee-valve, fixed spout, M-MX91 manual mixer, water hose & tap hole stopper	
WS4-NT	Battery-Operated, Hands-Free operation Includes Delabie Tempomatic 3 tap, M-MX91 manual mixer, water hose & tap hole stopper	
WS4-NT4	Battery-Operated, Hands-Free operation Includes Delabie Tempomatic 4 tap, M-MX91 manual mixer, water hose & tap hole stopper	
WS4-T2	Soft-touch operated, time flow tap Includes Delabie Temposoft 2 tap, M-MX91 manual mixer, water hose & tap hole stopper	
WS4-T2-T	Soft-touch operated, time flow tap Includes Delabie Temposoft 2 tap, Premix Nano thermostatic mixer, water hose & tap hole stopper	
WS4-MT	with 'auto shut-off' single LEVER tap and manual mixer	
WS4-MT-T	with 'auto shut-off' single LEVER tap and thermostatic mixer	

#### Further Options

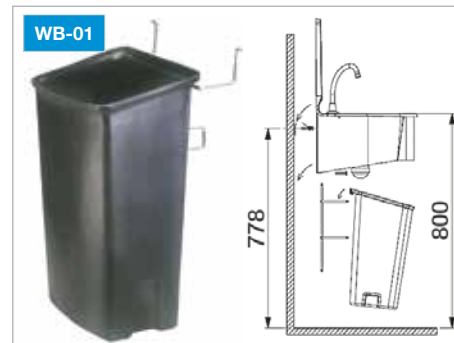
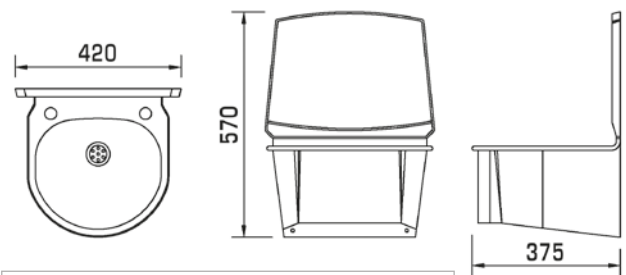
BSX-SPD	Optional Soap Dispenser See page 104 for more details
---------	---

### WS6 MODELS

Stainless steel (304) basin O/D: 420 x 375 x 570

Bowl: 360 x 270 x 100 deep

Choose your **tap**, or there's an easy push-front panel for the “hands-free” operated spout option (KVS).



Complete with stainless steel basin, 1 1/4-inch BSP drain boss, integral splashback, hands-free control and mixing valve.

Model	Description	WRAS
<b>Water Savings and Hygiene Options</b>		
WS6-KVS	'Push-Front', Hands-Free mechanical operation Includes fixed spout, M-MX91 manual mixer, water hose & tap hole stopper	
WS6-NT	Battery-Operated, Hands-Free operation Includes Delabie Tempomatic 3 tap, M-MX91 manual mixer, water hose & tap hole stopper	
WS6-NT4	Battery-Operated, Hands-Free operation Includes Delabie Tempomatic 4 tap, M-MX91 manual mixer, water hose & tap hole stopper	
<b>Further Options</b>		
WB-01	Optional Waste Bin, (for WS6 basin only)	





WATER



GAS



ENVIRONMENT



PEST CONTROL

## UTILITY SINKS

# BASIX

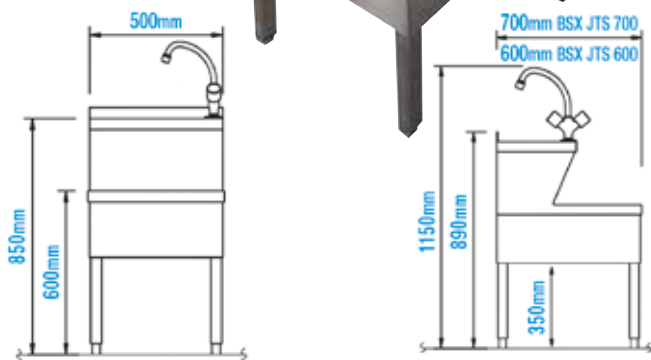
### JANITORIAL SINKS

Handwash bowl: 430 (max) x 280 x 130 deep Mop bowl: 400 x 400 x 200 deep

Includes monobloc mixer tap, lift-out (removable) mop strainer, waste fittings (excluding trap), adjustable feet and removable rear legs and bracket supplied for easy installation on coved walls.



Removable service panel

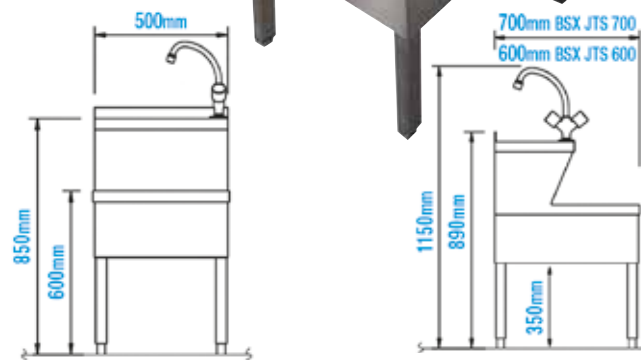


Model	Description
<b>Janitorial Sinks</b>	
<b>BSXJTS600</b>	Stainless steel construction (600mm deep) with monobloc mixer tap
<b>BSXJTS700</b>	Stainless steel construction (700mm deep) with monobloc mixer tap

Includes TX-B-212D mixer tap, lift-out (removable) mop strainer, waste fittings (excluding trap), adjustable feet and removable rear legs and bracket supplied for easy installation on coved walls.



Removable service panel

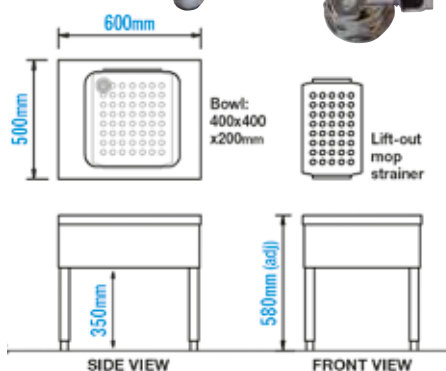


Model	Description
<b>Janitorial Sinks</b>	
<b>BSXJT600-TX-B-212D</b>	Stainless steel construction (600mm deep) with WRAS-approved mixer tap
<b>BSXJT700-TX-B-212D</b>	Stainless steel construction (700mm deep) with WRAS-approved mixer tap

### MOP SINK

Dims: 600 x 500 x 560-620 adjustable height Mop bowl: 400 x 400 x 200 deep

Includes lift-out (removable) mop strainer, 1 1/2" waste fittings (excluding trap), adjustable feet, stainless steel upstand overflow, removable rear legs and bracket supplied for easy installation on coved walls.



Model	Description
<b>Mop Sink</b>	
<b>BSXMS600</b>	Stainless steel construction
<b>Optional extras (sold individually)</b>	
<b>BSX-500WX-SO-H</b>	1/2" Cross Head Bib Tap HOT with 80mm long stand off
<b>BSX-500WX-SO-C</b>	1/2" Cross Head Bib Tap COLD with 80mm long stand off
<b>500BTBP</b>	1/2" Bib Tap Elbow (chrome)



WATER



GAS



ENVIRONMENT



PEST CONTROL

## FIXTURES, FITTINGS & ACCESSORIES

## BASIX

### KNEE/FOOT VALVES



#### Knee-Operated Valve

Model	Description	WRAS
DLB-1468200	Angle wall feed	
DLB-1470800	Straight in-line	
M-RUB-KV	Straight in-line (not WRAS)	

NB: M-RUB-KV comes as standard on knee-valve operated hand-wash stations.



#### MIX FOOT

Model	Description
DLB-1478200	Floor-mounted M1/2" foot-operated basin MIXER with instant shut-off
DLB-1478204	Wall-mounted M1/2" foot-operated basin MIXER with instant shut-off



#### MONO FOOT

Model	Description
DLB-1472202	Floor-mounted M1/2" foot-operated basin valve with instant shut-off

### MIXER VALVES



#### Thermostatic Mixer Valve

Model	Size
DLB-1466030	1/2-inch
DLB-1466040	3/4-inch



#### 15mm Mini Thermostatic Blending Valve

Model	Size	WRAS
WNT-MIX	15mm	



#### Manual Mixer - compact

Model	Description
DLB-400000	1/2-inch



#### Manual Mixer - compact

Model	Description	WRAS
M-MX91	MF1/2-inch	

Compact Manual Mixer comes as standard on KVS hand-wash stations.

### PREMIX® NANO

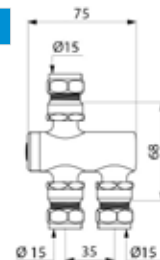
Thermostatic mixing valve for mixed water distribution between 34 and 60°C.

- For 1 to 2 tap or 1 shower.
- Anti-scalding safety: immediate shut-off if hot or cold water supply fails.
- Temperature pre-set at 38°C, can be adjusted by the installer from 34 - 60°C.
- Integrated non-return valves and filters.
- Minimum flow rate for operation: 3 lpm.
- Thermal shocks are possible.



DLB-1464230

DLB-1464232



Model	Description	WRAS
DLB-1464230	Nickel-plated body M1/2", 15mm	
DLB-1464232	Polished chrome body M1/2", 15mm	

### TIMEFLOW VALVES



#### Timeflow Valve for WS3 Basin

Model	Description
M-TPO91-INOX	for WS3 basin



#### Timeflow Valve for WS6 Basin

Model	Description	WRAS
DLB-1496252	for WS6 basin	



WATER



GAS



ENVIRONMENT



PEST CONTROL

## FIXTURES, FITTINGS & ACCESSORIES

# BASIX

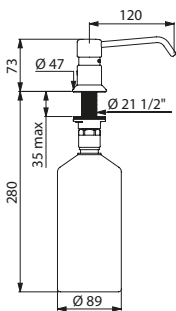
### SOAP DISPENSERS

#### DECK MOUNTED

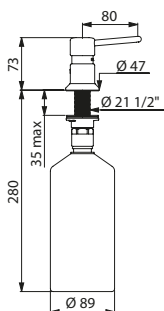
Liquid soaps with a viscosity between 500 to 800 centipoises/MPSA are best.



DLB-1458024



DLB-1458024



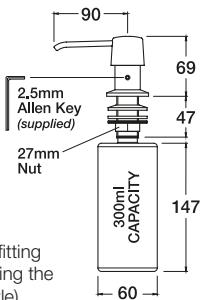
DLB-1458016



DLB-1458016

Chrome plated push-button dispenser. Allen screw fitting prevents vandalism. Filled up from the top (by unscrewing the upper part) or from the bottom (by unscrewing the bottle).

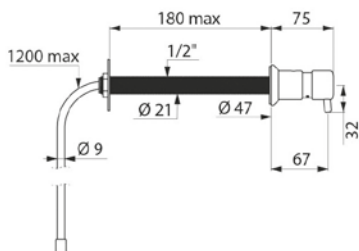
Model	Description	
DLB-1458024	with 1 litre bottle, CURVED spout, L. 120mm	Not suitable for BASIX 300, 400 or 400i wash hand stations. Please use: <b>BSX-SPD</b>
DLB-1458016	with 1 litre bottle, STRAIGHT spout, L. 80mm	
DLB-1459016	with 0.5 litre bottle, STRAIGHT spout, L. 80mm height under washbasin 223mm	
DLB-1458216	with rilsan pipe 1.20 metre for remote tank, STRAIGHT spout, L. 80mm	



Chrome plated brass push-top dispenser. Allen screw fitting prevents vandalism. Filled up from the top (by unscrewing the upper part) or from the bottom (by unscrewing the bottle).

Model	Description
BSX-SPD	with 300ml capacity bottle, CURVED spout, L 90mm, drill hole size = 26mm

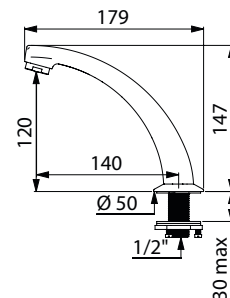
#### WALL MOUNTED



Chrome plated push-button through-the-wall dispenser. For remote soap-tin (tin not included).

Model	Description
DLB-1458300	for wall 150mm thick, with flexible pipe 6/8 L. 1.20 m

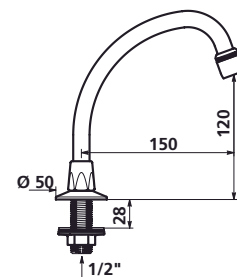
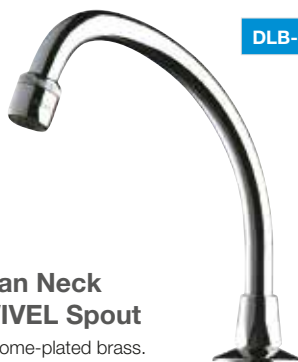
### SPOUTS



#### FIXED, Cast Spout

- Chrome-plated solid brass.
- Reinforced fixing by 3 stainless steel screws.
- Flow straightener set at 3 lpm.

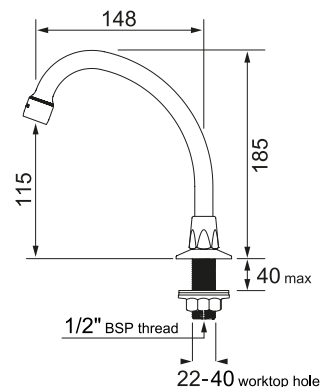
Model	Description
DLB-1962284	L 140, H 120mm, M1/2"



#### Swan Neck SWIVEL Spout

- Chrome-plated brass.
- Fixing by back-nut.
- Scale-resistant flow straightener set at 3 lpm.

Model	Description
DLB-1934304	L 150, H 120mm, M1/2"
DLB-1934404	L 200, H 200mm, M1/2"



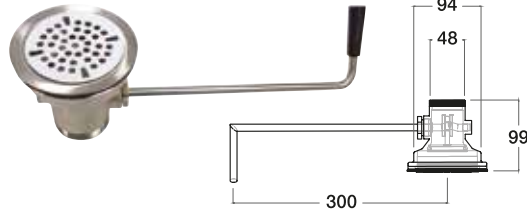
#### Swan Neck FIXED Spout

- Chrome-plated brass.
- Fixing by back-nut.
- Scale-resistant flow straightener set at 3 lpm.

Model	Description
M-CDC90	FIXED Spout L 148, H 115mm, OA 185mm, M1/2"

NB: Comes as standard on KVS hand-wash stations.

MISCELLANEOUS



**Drain Lever Waste Kit**

Nickel coated brass body with stainless steel lever and strainer.

Model	Description
MDLW-150	1 1/2-inch drain connection, without overflow



**Tap Hole Stopper**

Model
THS



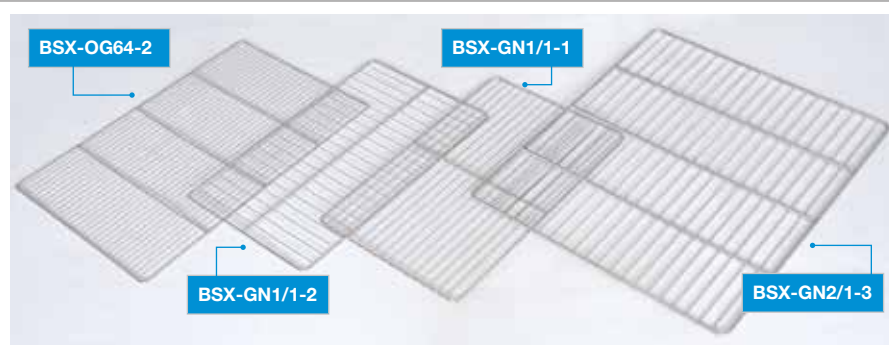
**Hands-Free Conversion Kit - for Existing Wash Hand Basins**

Consider making your existing basin a hands-free station.

Includes: knee valve, spout, blending mixer valve, water hose & tap hole stopper. (Basin sold separately).

OPTION: Can be supplied with Thermostatic mixing valve as an option. Contact Mechline for more information.

Model	Description
HANDSFREE-EZ	Conversion Kit



**"Gastronorm"/Oven Grids**

Durable stainless steel, designed to fit most cooker formats.

Model	Description
BSX-GN1/1-1	1 strutt, 16 rungs, (530x325mm)
BSX-GN1/1-2	1 strutt, 20 rungs, (325x530mm)

Model	Description
BSX-GN2/1-3	3 strutts, 20 rungs, (650x530mm)
BSX-OG64-2	3 strutts, 29 rungs, (600x400mm)

**VISIT OUR BRAND NEW WEBSITE TO CREATE YOUR UNIQUE USER LOGIN**

FOR ALL PRICING INFORMATION AND ORDERING

[www.mechline.com](http://www.mechline.com)

