



# HAND BLENDER XM-72 230/50-60/1

Professional immersion blender. 750 W.

P/N 3030850



## FEATURES AND BENEFITS

- ✓ **All-in-one**
- ✓ Professional hand blender designed for carrying out different preparations without the need for add-on tools.
- ✓ Professional Y-blade, made from tempered steel and with a long-duration cutting edge.
- ✓ Fixed speed.
- ✓ Designed to work in recipients of up to 250 litres.
- ✓ **Maximum comfort for the user**
- ✓ Logical and manageable size.
- ✓ Ergo-design & bi-mat-grip: external casing made in two materials for an ergonomic hold. Anti-slip grip. Optimum inclination of handle, minimising fatigue.
- ✓ Click-on-arm: detachable arm with fast and secure closure.
- ✓ Hood designed to avoid splashes.
- ✓ Intuitive use: very simple operation. LED warning light in two colours to indicate the status of the machine.
- ✓ Possibility of continuous operation.
- ✓ **Built to last**
- ✓ Professional performance: capable of carrying out prolonged work without the casing overheating.
- ✓ Life-plus: equipped with a motor which has passed all of the most demanding usage tests.
- ✓ Studied geometry: casing designed to avoid rolling and falling.
- ✓ Easy to clean: detachable arm, can be cleaned under the tap.
- ✓ Approved by NSF: guaranteed safety and hygiene.
- ✓

## SALES DESCRIPTION

Fixed speed motor block.

630 mm detachable arm.

Designed for continuous use in recipients of up to 250 litres.

## INCLUDES

- ✓ Fixed speed motor block.
- ✓ MA-72 mixer arm.



Project

Date

Item

Qty

Approved

DYNAMIC PREPARATION  
COMMERCIAL HAND BLENDERS - XM RANGE

product sheet  
updated 15/07/2020



# HAND BLENDER XM-72 230/50-60/1

Professional immersion blender. 750 W.

P/N 3030850

## SPECIFICATIONS

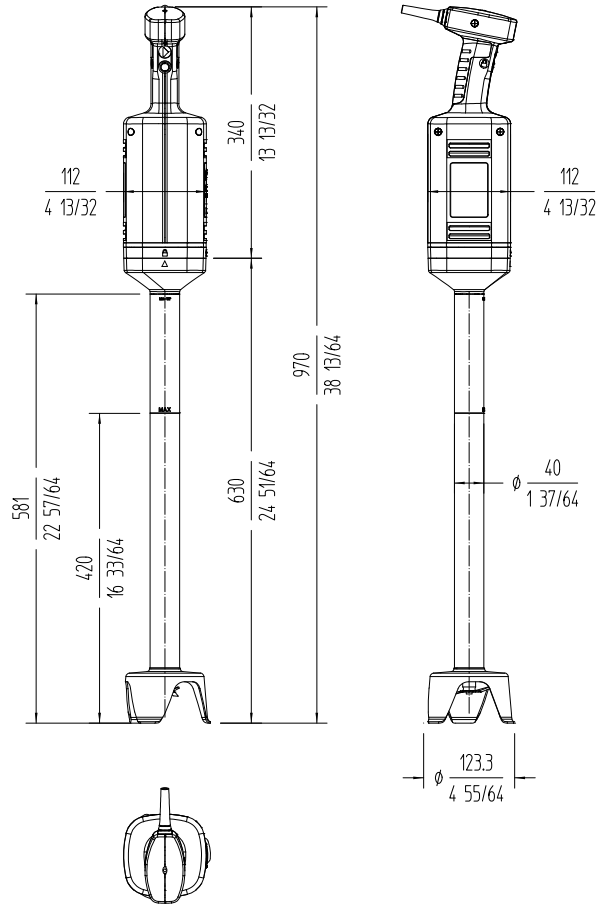
Total loading: 750 W  
Maximum recipient capacity: 250 l  
Motor speed: 12000 rpm  
Blade guard diameter: 123.3 mm  
Electrical supply: 230 V / 50-60 Hz / 1 ~  
(4.7 A)

### Length

Liquidising arm length: 630 mm  
Total length: 970 mm  
Net weight: 5.18 Kg  
Noise level (1m.): <80 dB(A)

### Crated dimensions

692 x 310 x 130 mm  
Gross weight: 5.6 Kg.



DYNAMIC PREPARATION  
COMMERCIAL HAND BLENDERS - XM RANGE



Project	Date
Item	Qty
Approved	