



GB Instructions for use  
DE Bedienungsanleitung  
CZ Návod k použití

NL Genruiksaanwijzing  
IT Manuale d'uso  
DK Brugsanvisning

## Warning

As the appliance contains a flammable refrigerant, it is essential to ensure that the refrigerant pipes are not damaged.

**The quantity and type of the refrigerant used in your appliance is indicated on the rating plate.**

Standard EN378 specifies that the room in which you install your appliance must have a volume of 1m<sup>3</sup> per 8 g of hydrocarbon refrigerant used in the appliances. This is to avoid the formation of flammable gas/air mixtures in the room where the appliance is located in the event of a leak in the refrigerant circuit.

### **WARNING:**

Keep ventilation openings in the appliance's cabinet or in the built-in structure clear of obstruction.

### **WARNING:**

Do not use other **mechanical devices** or other means to accelerate the defrosting process than those recommended by the manufacturer.

### **WARNING:**

Do not damage the refrigerant system.

### **WARNING:**

Do not use **electrical appliances** inside the refrigerated storage compartment, unless they are of a type recommended by the manufacturer.

### **WARNING:**

Do not expose the appliance to rain.

### **WARNING:**

This appliance is not intended for use by children and persons with reduced physical, sensory or mental capabilities or lack of experience and knowledge if they have been given supervision or instruction concerning use of the appliance in a safe way and understand the hazards involved.

### **WARNING:**

Do not store explosives, such as aerosol cans with flammable propellants in the unit.

**WARNING:**

When positioning the appliance, ensure the power cord is not trapped or damaged.

**WARNING:**

Do not locate multiple portable socket-outlets or portable power supplies at the rear of the appliance.

**WARNING:**

Cleaning and user maintenance shall not be made by children without supervision.

- Always keep the keys in a separate place and out of reach of children.
- Before servicing or cleaning the appliance, unplug the appliance from the mains or disconnect the electrical power supply.
- **Relevant for Australia:** Supply cord fitted with a plug complies with AS/NZS 3112.
- Frost formation on the interior evaporator wall and upper parts is a natural phenomenon. Therefore, the appliance should be defrosted during normal cleaning or maintenance.
- Please note that changes to the appliance construction will cancel all warranty and product liability.
- If the supply cord is damaged, it must be replaced by the manufacturer, its service agent, or similarly qualified persons in order to avoid a hazard.
- Do not use extension cords.



# Contents

Warning .....	2
Get to know your chest freezer.....	5
Electrical connection.....	6
Installation and start-up .....	7
Operation and function .....	8
Use.....	9
Defrosting .....	10
Cleaning and maintenance.....	11
Fault finding .....	12
Warranty, spare parts and service .....	13
Disposal.....	14

## Before use

Before operating your new appliance, please read the following instructions carefully as they contain important information on safety, installation, operation and maintenance. Keep the instructions for future reference.

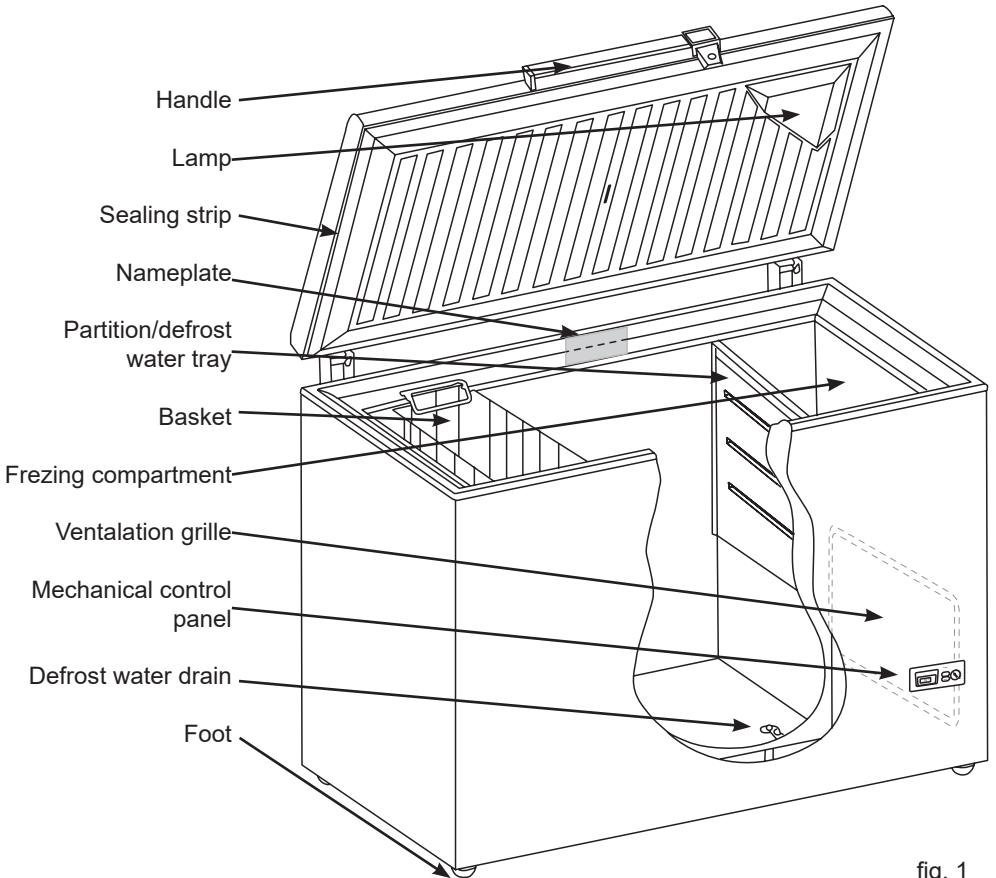
On receipt check to ensure that the appliance has not been damaged. Transport damage should be reported to the local distributor before the appliance is put to use.

Remove the packaging. Clean the inside of the cabinet using warm water with a mild, perfume-free detergent. Rinse with clean water and dry thoroughly (see cleaning instructions). Use a soft cloth.

If the appliance has been stored in cold surroundings (colder than +5 °C), it must be allowed to stabilise for at least an hour before being switched on.

If the appliance has been stood on end during transport, it must be allowed to stabilise in normal position for approx. 12 hours before being switched on.

# Get to know your chest freezer





## Electrical connection

Wiring and connections in power supply systems must be in all applicable (local and national) electrical codes. Consult these codes lengths and sizes prior to cabinet installation.

This device complies with relevant EU directives including Low Voltage Directive 2014/35/EU and Electromagnetic Compatibility Directive 2014/30/EU

The socket should be freely accessible.

Connect the appliance only to 220/240 V / 50Hz alternating current via a correctly installed earthed socket.

The socket must be fused with a 10-13 A fuse.

If the appliance is to be operated in a non-European country, check on the rating plate whether the indicated voltage and current type correspond to the values of your mains supply.

### **Information regarding voltage, current or power are given on the rating plate**

The power cord may be replaced by a technician only.

The rating plate provides various technical information as well as type and serial number.

# Installation and start-up

## Placement

For safety and operational reasons, the appliance must not be installed outdoors.

The appliance should be placed on a stable, level surface in a dry, well-ventilated room (max. 75% relative air humidity).

Never place the appliance close to sources of heat such as cookers or radiators, and avoid placing it in direct sunlight.

## Room temperature

The climate class is stated on the nameplate (see page 12). This specifies the optimum room temperature.

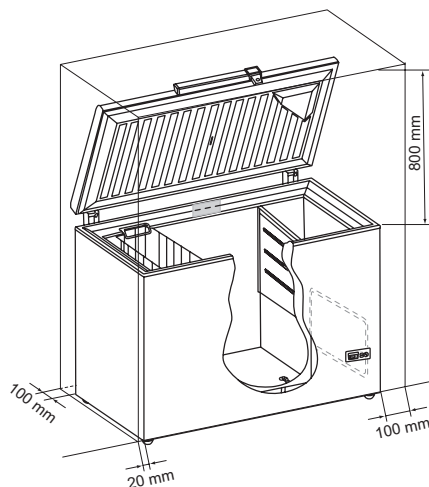


fig. 2

Climate class	Optimum room temperature
SN	+10 °C à +32 °C
N	+16 °C à +32 °C
ST	+16 °C à +38 °C
T	+16 °C à +43 °C

There must be at least 30 mm clearance between the base of the appliance and the floor.

**IMPORTANT!** There must be free access to the ventilation grille (fig. 3).

If the room temperature is sub zero, the appliance will not function correctly.

## Ventilation

It is important that the appliance be well ventilated and that air can circulate unhindered above, below and around it. Figure 2 illustrates how the necessary air circulation can be ensured.

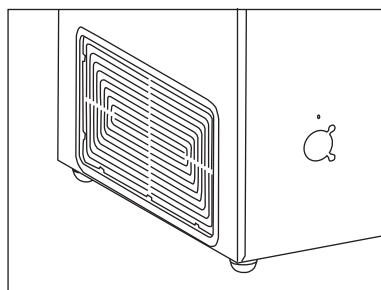


fig. 3

## Operation and function

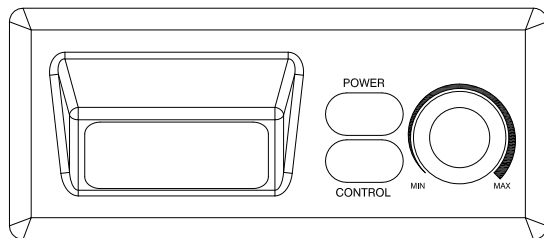


fig. 4

### Mechanical controls

In addition to a thermostat knob, the control panel contains two control lamps and a button (fig. 4). Control panel design and lamp position may vary.

The green lamp (above) is lit when power is correctly supplied.

The green lamp (below) is lit when the compressor is running.

### Temperature setting

The temperature is set by turning the thermostat knob from MIN to MAX. It is recommended that a coin be used to turn the knob. The more the thermostat knob is turned towards MAX, the lower the temperature. To test whether the setting is correct, measure the temperature of the uppermost item in the centre of the freezer.

It must be no warmer than  $-18^{\circ}\text{C}$ .



# Use

## Freezer

The appliance is a four-star freezer approved for freezing and storing frozen items of food.

## Freezing

To keep food at its best, items must be frozen to  $-18\text{ }^{\circ}\text{C}$  as quickly as possible.

The freezing capacity of the freezer is stated on the nameplate in kg/24 hours (see page 12).

Only freeze high-quality fresh products. Meat, poultry, fish, vegetables, fruit, dairy products and ready-made meals are suitable for freezing. Items with a high water content, e.g. lettuce, radishes, grapes, apples, pears and cucumbers, are not suitable for freezing.

Pack items to be frozen in airtight containers, freezer bags or similar. Freeze items in suitable portions. Do not freeze vegetables or meat in portions larger than 2.5 kg. Keep packages dry to prevent them from freezing together. To ensure rapid freezing, make sure, as far as possible, that items placed in the freezer are not touching each other. Ensure that there is as little air in the packages as possible to prevent the surfaces of the items from drying out.

Items to be frozen should be placed in the freezing compartment or evenly distributed along the inner walls of the freezer.

Always remember to write the date, content and quantity on the packages before placing them in the freezer. It is a good idea to group items within the freezer. Keep vegetables in one place, meat in another, and so on.

**There must be at least 5 mm clearance between the lid and items stored in the freezer.**

Items stored in the baskets are highly visible and easily accessible (fig. 5).



fig. 5

## Thawing

Frozen vegetables and fruit require no thawing before use and can be immersed in boiling water directly from the freezer.

To thaw meat, it is advisable to take it out of the freezer the day before it is to be used and place it in a refrigerator to defrost. This ensures the best hygiene and maintains meat quality as much as possible.

### Note:

**Glass bottles or cans containing carbonated (fizzy) drinks must never be placed in the freezer as they may explode.**

## Defrosting

The items stored and the humidity of the air gradually cause frost and ice to form in the freezer. A thin layer of frost or ice does not affect freezer performance, but the thicker the layer, the higher the energy consumption. Small amounts of loose frost can be removed using a plastic scraper.

Never use electrical apparatus or sharp implements as these may damage the inside of the appliance.

When the layer of frost and ice exceeds 4-5 mm the freezer should be completely defrosted. It is recommended that defrosting be performed when there are no or only a few items stored in the freezer.

Proceed as follows:

1. Disconnect the power supply.
2. Remove the items of food. Place them in a refrigerator or wrap them up to keep them as cold as possible.
3. Keep the freezer lid open.
4. Position the partition under the defrost water drain.
5. Place a bowl of hot (but not boiling) water in the freezer, close the lid and wait approx. 30 minutes before removing loose frost with the plastic scraper.
6. To prevent water from damaging the floor during defrosting, it is advisable to check the defrost water tray from time to time and to cover the floor around the defrost water drain to protect against ice and splashes. When all the frost and ice have melted, clean the inside of the cabinet using water with a mild, perfume-free detergent. Dry the freezer with a soft cloth.

7. Reconnect the power supply.
8. Return items to the freezer approx. 5 minutes after having switched it on.

Remember to reinsert the stopper in the defrost water drain.

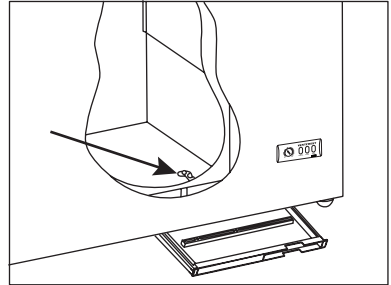


fig. 6

# Cleaning and maintenance

## Cleaning

Before cleaning, disconnect the power supply and remove all loose fittings.

The cabinet is best cleaned using warm water (max. 65 °C) with a little mild, perfume-free detergent. Never use cleaning agents that scour. Use a soft cloth. Rinse with clean water and dry thoroughly. It is important to prevent water from entering the control panel.

The sealing strip around the lid must be cleaned regularly to prevent discolouration and prolong service life. Use clean water. After cleaning the sealing strip, check that it continues to provide a tight seal.

The ventilation grille must be kept free of dust and dirt. Clean it with a vacuum cleaner.

If the appliance is not to be used for any length of time, switch it off, disconnect the power supply, empty it, clean the cabinet and leave the lid open to allow air circulation and prevent smells.

## Replacing the bulb

1. Disconnect the power supply by pulling the plug out of the socket.
2. Remove the lamp cover by pressing its upper edge downwards to release it from the two clips (fig. 7).
3. Replace the bulb(s).
4. Refit the cover and reconnect the power supply.

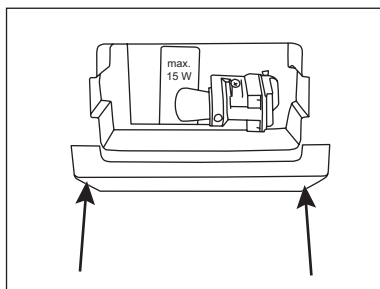


fig. 7

## Save energy

- Cool hot food and beverages before placing them in the freezer.
- Thaw frozen items in a refrigerator.
- Keep the lid closed as much as possible.
- Check regularly that the lid closes tightly.
- Position the freezer in a cool (min. 5 °C well-ventilated room.
- Place frozen items in a refrigerator while defrosting the freezer.
- Defrost the freezer before the layer of ice becomes excessively thick.

## Fault finding

<b>Fault</b>	<b>Possible cause</b>	<b>Remedy</b>
No light in display.	There is not enough light for the solar sensor.	Turn on the light.
No control lamps are lit.	The appliance is switched off. Power failure; the fuse is blown; the appliance is not plugged in correctly.	Check the plug and socket. Check that power is connected. Reset the fuse.
Temperature in freezer too high.	The ventilation grille is blocked. The lid is not closed properly. The quantity of fresh items placed in the freezer is greater than the capacity of the appliance. Thick layer of frost and ice. The thermostat is set too high.	Ensure unhindered air circulation. Close the lid and wait a few hours. Wait a few hours. Defrost the freezer. Set the thermostat to a lower temperature.
Temperature in freezer too low.	The thermostat is set too low. The lid is touching items stored in the freezer.	Set the thermostat to a higher temperature. Reposition items inside the freezer and check that the lid closes tightly.
The freezer produces large quantities of frost.	Air humidity in the room is high. Items placed in the freezer are giving off moisture.	Ventilate the room more often or move the freezer to a room with lower humidity. Repack items stored in the freezer.
The lid cannot be opened.	There is underpressure in freezer.	Wait 2-3 minutes until the underpressure has been equalised and try again.
Vibration and unusual noise.	The appliance is not on a level surface. The appliance is not free standing. Baskets or partition are loose.	Position the freezer on a flat, level and stable surface. Move the appliance away from other appliances or pieces of furniture. Check movable fittings and reposition them.

# Warranty, spare parts and service

## Warranty disclaimer

Faults and damage caused directly or indirectly by incorrect operation, misuse, insufficient maintenance, incorrect building, installation or mains connection. Fire, accident, lightning, voltage variation or other electrical interference, including defective fuses or faults in mains installations are not covered by the warranty.

Repairs performed by others than approved service centres and any other faults and damage that the manufacturer can substantiate are caused by reasons other than manufacturing or material faults are not covered by the warranty.

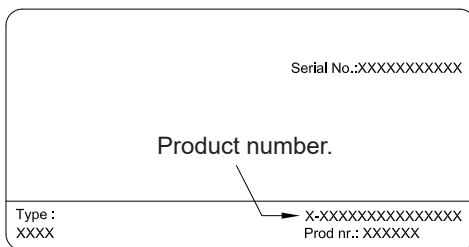
Please note that changes to the construction of the appliance or changes to the component equipment of the appliance will invalidate warranty and product liability, and the appliance cannot be used lawfully. The approval stated on rating plate will also be invalidated.

Transport damage discovered by the buyer is primarily a matter to be settled between the buyer and the distributor, i.e. the distributor must ensure that such complaints are resolved to the buyer's satisfaction.

Before calling for technical assistance, please check whether you are able to rectify the fault yourself. If your request for assistance is unwarranted, e.g. if the appliance has failed as a result of a blown fuse or incorrect operation, you will be charged the costs incurred by your call for technical assistance.

## Spare parts

When ordering spare parts, please state the type, serial and product numbers of your appliance. This information is given on the rating plate. The rating plate contains various technical information, including type and serial numbers.



# Disposal

## *Information for Users on Collection and Disposal of Old Equipment and used Batteries*



These symbols on the products, packaging, and/or accompanying documents mean that used electrical and electronic products and batteries should not be mixed with general household waste. For proper treatment, recovery and recycling of old products and used batteries, please take them to applicable collection points, in accordance with your national legislation and the Directives 2002/96/EC and 2006/66/EC.

By disposing of these products and batteries correctly, you will help to save valuable resources and prevent any potential negative effects on human health and the environment which could otherwise arise from inappropriate waste handling.

For more information about collection and recycling of old products and batteries, please contact your local municipality, your waste disposal service or the point of sale where you purchased the items.

Penalties may be applicable for incorrect disposal of this waste, in accordance with national legislation.



## **For business users in the European Union.**

If you wish to discard electrical and electronic equipment, please contact your dealer or supplier for further information.

## **[Information on Disposal in other Countries outside the European Union]**

These symbols are only valid in the European Union. If you wish to discard this product, please contact your local authorities or dealer and ask for the correct method of disposal.

## **Note for the battery symbol (bottom two symbol examples):**



This symbol might be used in combination with a chemical symbol. In this case it complies with the requirement set by the Directive for the chemical involved.



## Warnung

Da ein brennbares Gas als Kältemittel in diesem Gerät dient, ist es wichtig sicherzustellen, dass kein Teil des Kühlkreislaufs oder der Rohre beschädigt ist.

### **Die Menge und Art von Kältemittel im Gerät ist auf dem Typenschild angegeben.**

Der Standard EN378 spezifiziert, dass der Raum, in dem das Gerät installiert wird, ein Volumen von 1m<sup>3</sup> pro 8 g Kohlenwasserstoff-Kältemittel, das im Gerät verwendet ist, haben soll. Dies ist zu beachten, um die Bildung von leicht entzündlichen Gasgemischen in dem Raum, wo das Gerät installiert ist, zu vermeiden, falls eine Undichtigkeit des Kühlkreislaufs entsteht.

### **WARNUNG:**

Decken Sie die Lüftungsöffnungen am Geräte oder am Einbaumodul nicht ab.

### **WARNUNG:**

Verwenden Sie keine anderen mechanischen Geräte oder Hilfsmittel um den Entfrostsprozess zu beschleunigen, als die Geräte, die vom Hersteller empfohlen sind.

### **WARNUNG:**

Beschädigen Sie nicht den Kühlkreislauf.

### **WARNUNG:**

Verwenden Sie keine elektrischen Geräte im Gerät, es sei denn, dass die Geräte vom Hersteller empfohlen sind.

### **WARNUNG:**

Das Gerät nicht dem Regen aussetzen.

### **WARNUNG:**

Dieses Gerät ist nicht zur Verwendung durch Personen (einschließlich Kinder) mit eingeschränkten physischen, sensorischen oder geistigen Fähigkeiten oder fehlender Erfahrung und Wissen bestimmt, es sei denn, eine angemessene Aufsicht oder Anleitung zur Benutzung des Geräts durch eine für ihre Sicherheit zuständige Person ist gegeben. Kinder sollten beaufsichtigt werden um sicherzustellen, dass sie nicht mit dem Gerät spielen.



**WARNUNG:**

Der Schlüssel ist an einer separaten Stelle und unzugänglich für Kinder aufzubewahren.

**WARNUNG:**

Achten Sie beim Aufstellen des Geräts darauf, dass das Netzkabel nicht eingeklemmt oder beschädigt ist.

**WARNUNG:**

Platzieren Sie keine Verteilersteckdosen, Verlängerungskabel oder andere Netzteile an der Rückseite des Gerätes.

**WARNUNG:**

Keine Produkte mit brennbaren Treibgasen (z. B. Spraydosen) und keine explosiven Stoffe lagern. **Explosionsgefahr!**

- Vor Reparatur oder Reinigung des Gerätes den Netzstecker von der Steckdose ziehen.

- Wenn die Anschlussleitung beschädigt ist, muss sie nur vom Hersteller, dem Serviceagent des Herstellers oder einem anderen Fachmann ausgewechselt werden, um Gefahr zu vermeiden.
- Bildung von Reif auf der inneren Verdampferplatte und den obersten Teilen ist normal. In Verbindung mit Reinigung oder Wartung muss das Gerät deshalb entfrosten werden.
- Verwenden Sie keine Verlängerungskabel.
- Beachten Sie bitte, dass Änderungen der Konstruktion dieses Gerätes zur Folge haben, dass die Garantie und Produkthaftung erlöschen.

## Inhalt

Warnung .....	2
Lernen Sie Ihr Gefriergerät kennen .....	5
Technische Daten .....	6
Inbetriebnahme und Installation .....	7
Bedienung und Funktion.....	8
Gebrauch.....	9
Abtauen .....	10
Reinigung und Wartung .....	11
Fehlersuche .....	12
Reklamation, Ersatzteile und Service.....	13
Entsorgung .....	14

## Vor dem Gebrauch

Vor dem Gebrauch Ihres neuen Geräts sollten Sie diese Bedienungsanleitung gründlich lesen. Sie enthält wichtige Informationen zu Sicherheit, Installation, Betrieb und Wartung. Bewahren Sie die Bedienungsanleitung auf. Sie könnten Sie zu einem späteren Zeitpunkt evtl. benötigen.

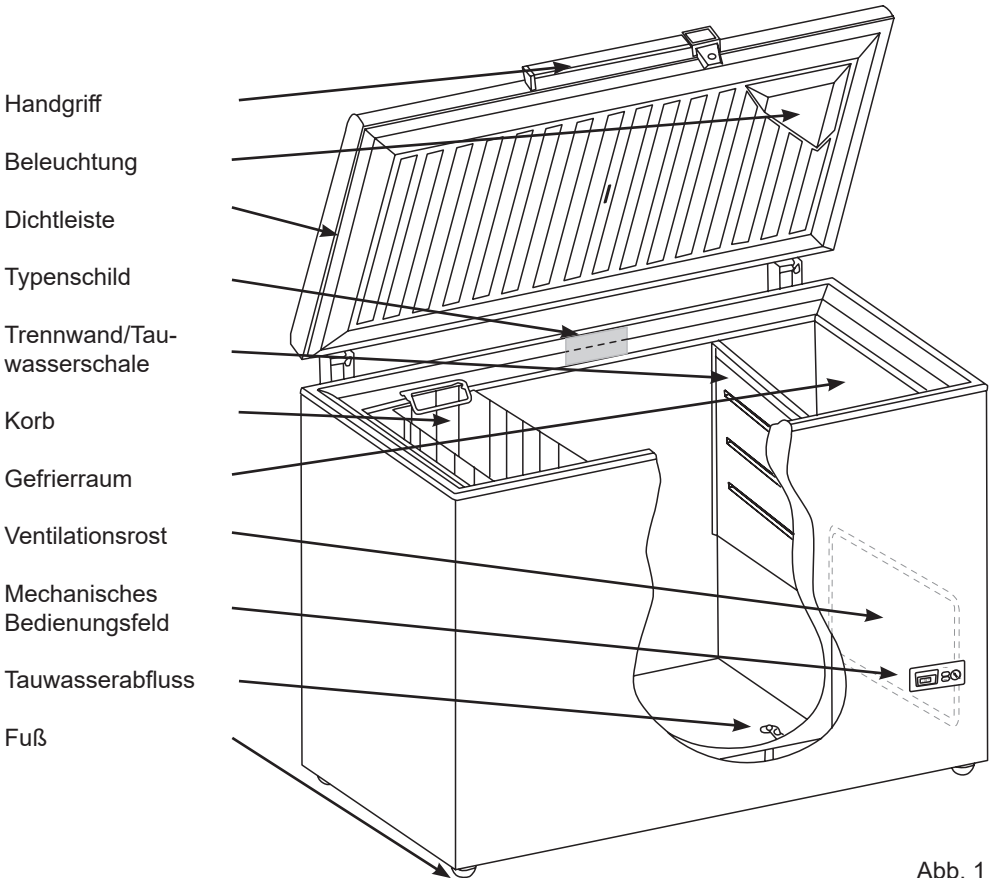
Kontrollieren Sie das Gerät sofort bei Lieferung auf eventuelle Beschädigungen. Transportschäden sind dem Händler zu melden, bevor das Gerät in Gebrauch genommen wird.

Verpackung entfernen. Reinigen Sie das Gerät innen mit warmem Wasser, dem Sie etwas unparfümiertes Spülmittel zugeben. Mit klarem Wasser nachwischen und gründlich trocknen (siehe „Reinigung“). Verwenden Sie ein weiches Tuch.

Wurde das Gefriergerät bei Temperaturen unter +5 °C gelagert, muss vor dem ersten Einschalten mindestens eine Stunde zur Akklimatisierung vergehen.

Wurde das Gerät hochkant stehend transportiert, muss es vor dem ersten Einschalten etwa 12 Stunden lang in normaler Lage stehen.

# Lernen Sie Ihr Gefriergerät kennen



# Inbetriebnahme und Installation

## Aufstellort

Aus Sicherheits- und betriebstechnischen Gründen darf das Gerät nicht im Freien aufgestellt werden.

Stellen Sie das Gefriergerät auf einen ebenen, waagerechten und festen Untergrund in einem trockenen, gut belüfteten Raum (max. 75% relative Luftfeuchtigkeit).

Stellen Sie die Truhe nicht in unmittelbarer Nähe von Wärmequellen wie Herden oder Heizkörpern auf, und vermeiden Sie direkte Sonneneinstrahlung oder Wärme von anderen Wärmequellen.

## Raumtemperatur

Die Klimaklasse finden Sie auf dem Typenschild (siehe Seite 12). Sie gibt an, innerhalb welcher Raumtemperaturbereiche die Gefriertruhe optimal arbeitet.

Klimaklasse	Zulässige Raumtemperatur
SN	+10 °C à +32 °C
N	+16 °C à +32 °C
ST	+16 °C à +38 °C
T	+16 °C à +43 °C

Bei Raumtemperaturen unter dem Gefrierpunkt arbeitet das Gefriergerät nicht normal.

## Belüftung

Das Gerät muss ausreichend belüftet sein, und die Luftzirkulation über und unter ihm sowie seitlich von ihm darf nicht behindert sein. Abb. 2 zeigt, wie die erforderliche Luftzirkulation um das Gefriergerät herum gewährleistet wird.

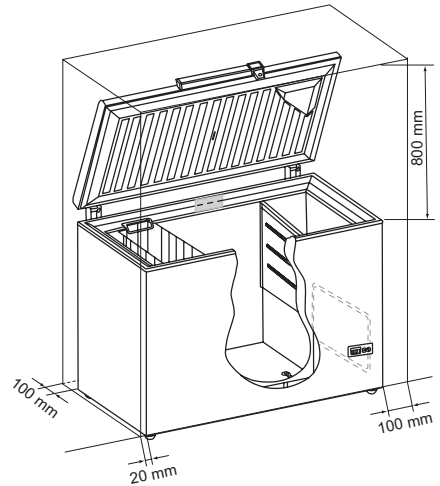


Abb. 2

Zwischen dem Geräteboden und der Unterlage muss der Abstand mindestens 30 mm betragen.

**WICHTIG!** Der Belüftungsgrost muss frei zugänglich sein (Abb. 3).

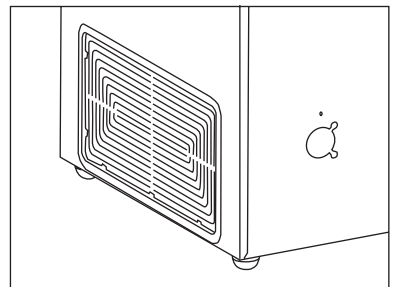


Abb. 3

## Technische Daten

Verkabelung und Anschlüsse in Stromversorgungssystemen müssen allen (örtlichen und nationalen) Elektrovorschriften entsprechen. Machen Sie sich vor dem Einbau mit den Angaben in diesen Vorschriften vertraut

Dieses Gerät entspricht den einschlägigen EU-Richtlinien einschließlich:  
Niederspannungsrichtlinie 2014/35/EU.  
Elektromagnetische Kompatibilitätsrichtlinie 2014/30/EU.

Die Steckdose sollte frei zugänglich sein.  
Das Gerät an 220/240 V / 50Hz Wechselstrom über eine vorschriftsmäßig installierte Steckdose anschließen.

Die Steckdose muss mit einer 10- 13A Sicherung abgesichert sein.

Bei Geräten, die in nicht-europäischen Ländern betrieben werden, ist auf dem Typenschild zu überprüfen, ob die angegebene Spannung und Stromart mit den Werten Ihres Stromnetzes übereinstimmt.

### **Informationen über Spannung und Leistungsaufnahme / Strom sind auf dem Typenschild.**

Das Typenschild, das sich im Gerät befindet, enthält verschiedene technische Angaben sowie Typen- und Seriennummer.

Ein eventuell notwendiger Austausch der Netzanschlussleitung darf nur durch einen Fachmann erfolgen

# Bedienung und Funktion

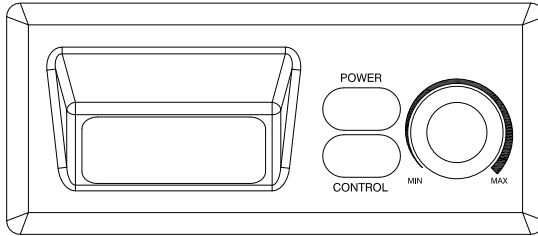


Abb. 4

## Mechanische Steuerung

Die Bedienelemente bestehen aus einem Thermostatknopf (Abb. 4), zwei Kontroll-Leuchten und einem Schalter. In der Konstruktion der Bedienelemente und der Platzierung der Leuchten sind leichte Abweichungen möglich.

Die grüne Leuchte (der obere Kontakt) zeigt die ordnungsgemäße Versorgungsspannung an.

Die grüne Leuchte (die untere Kontakt) zeigt wenn der Kompressor läuft.

## Temperatureinstellung

Die Temperatur wird durch Drehen des Thermostatknopfes von MIN auf MAX gewählt. Wir empfehlen dazu eine Münze. Je weiter der Einstellknopf des Thermostats in Richtung auf MAX gedreht wird, desto niedriger wird die Temperatur. Zur Kontrolle der korrekten Einstellung ist die Temperatur des oberen Gefriergutpäckchens in der Gerätemitte zu messen.

Sie darf nicht höher sein als  $-18\text{ }^{\circ}\text{C}$ .

# Gebrauch

## Gefriergerät

Die Geriertruhe ist ein 4-Sterne-Gefrierer, der zum Gefrieren und Tiefkühlagern von Lebensmitteln zugelassen ist.

## Gefrieren

Um die Qualität der Lebensmittel zu erhalten, müssen sie möglichst schnell auf -18 °C tiefgekühlt werden.

Die Leistung des Gefriergeräts ist auf dem Typenschild in kg/24 Stunden angegeben (siehe Seite 12)

Verwenden Sie nur frische Lebensmittel guter Qualität. Fleisch, Geflügel, Fisch, Gemüse, Obst, Molkereiprodukte und fertig zubereitete Mahlzeiten eignen sich zur Tiefkühlagerung. Lebensmittel mit hohem Wassergehalt, wie z.B. Salat, Radieschen, Pampelmusen, ganze Äpfel, Gurken und Birnen sind nicht zum Gefrieren geeignet.

Verpacken Sie die Waren luftdicht in Behälter, Gefrierbeutel o.ä. Die Portionen sollten eine praktische Größe haben. Gefrieren Sie Gemüse oder Fleisch nicht in Portionen über 2,5 kg. Halten Sie die Pakete trocken, damit sie nicht aneinander festfrieren. Frische Gefriergutpakete sollten sich möglichst nicht berühren, dann beschleunigt sich der Gefriervorgang. Drücken Sie die Luft aus den Paketen, damit die Lebensmitteloberfläche nicht austrocknet.

Zu gefrierende Ware sollten im Gefrierraum oder an den Innenwänden der Gefriertruhe, gleichmäßig verteilt, gelagert werden.

Schreiben Sie stets Inhalt, Menge und Datum auf die Pakete. Es empfiehlt sich, die Lebensmittel nach Kategorien zu sortieren. Das heißt, Gemüse zusammen an einer Stelle, Fleisch an einer anderen usw.

**Lebensmittel dürfen nicht höher als 5 mm unter den Deckel der Truhe gestapelt werden.**

In den Körben aufbewahrte Lebensmittel sind sichtbar und leicht zugänglich (Abb. 5).



Abb. 5

## Auftauen

Tiefgekühltes Obst und Gemüse sollte vor dem Verbrauch nicht aufgetaut sondern direkt in kochendes Wasser gegeben werden.

Fleisch sollte einen Tag vor der Zubereitung zum langsamen Auftauen in den Kühlschrank gelegt werden. Das ergibt die beste Hygiene, und die Fleischqualität bleibt am besten erhalten.

**Anmerkung:**  
**Glasflaschen und Dosen mit Flüssigkeit, die Kohlensäure enthalten, dürfen nicht tiefgefroren werden, da sie platzen können.**

## Abtauen

Das Gefriergut und die Luftfeuchtigkeit verursachen mit der Zeit Reif und Eis im Innern der Gefriertruhe. Eine dünne Reif- oder Eisschicht setzt die Leistung des Geräts nicht herab, aber mit zunehmender Stärke des Belags erhöht sich der Energieverbrauch. Etwas loser Reif lässt sich mit einem Kunststoffschaber entfernen.

Niemals elektrische Geräte oder scharfe Werkzeuge zum Entfernen von Reif/Eis verwenden, da sie das Truheninnere beschädigen können.

Erreicht die Reif- oder Eisschicht 4-5 mm Stärke, muss das Gerät abgetaut werden. Wir empfehlen, das Gefriergerät abzutauen, wenn nur wenige Waren darin gelagert sind.

Gehen Sie folgendermaßen vor:

1. Strom ausschalten.
2. Gefriergut aus dem Gerät räumen.  
Gefriergut im Kühlschrank, oder gut verpackt zwischengelagern, um ein Auftauen möglichst zu vermeiden.
3. Deckel offen lassen.
4. Trennwand unter Tauwasserablauf legen.
5. Eine Schüssel mit warmem (nicht kochendem) Wasser in das Gerät stellen und den Deckel schließen. Ca. 30 Minuten warten und die Reifschicht dann mit dem Kunststoffschaber entfernen.
6. Um während des Abtauvorgangs Wasser auf dem Fußboden zu vermeiden, ist die Tauwasserschaleusing regelmäßig zu kontrollieren. Der Boden um den Tauwasserablauf herum sollte abgedeckt werden, um ihn gegen Eis und Wasserspritzer zu schützen. Nachdem das Eis getaut ist, das Gefriergerät mit einer schwachen Lösung aus Wasser und unparfümiertem Spülmittel reinigen. Mit einem trockenen Tuch nachwischen.
7. Versorgungsspannung anschließen. .

8. Das Gefriergut kann ca. fünf Minuten nach dem Wiedereinschalten des Geräts eingearäumt werden.

**Nicht vergessen, den Tauwasserablauf wieder mit dem Stopfen zu verschließen.**

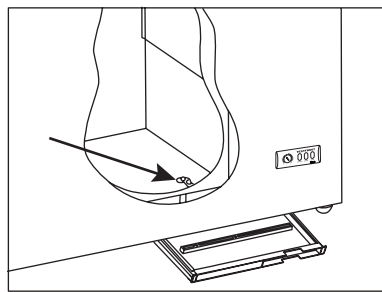


Abb. 6



# Reinigung und Wartung

## Reinigung

Vor der Reinigung ist der Netzstecker zu ziehen und das lose Zubehör aus dem Gerät zu entfernen.

Eine Mischung aus warmem Wasser und unparfümiertem Spülmittel (max. 65 °C) ist dazu am besten zur Reinigung geeignet. Verwenden Sie keine Reinigungsmittel, die Kratzer verursachen können. Verwenden Sie ein weiches Tuch. Mit klarem Wasser nachwischen und gut abtrocknen. Es darf kein Wasser in die Bedienelemente gelangen.

Die Deckeldichtleiste muss regelmäßig gereinigt werden, um Verfärbungen zu vermeiden und lange Haltbarkeit zu gewährleisten. Klares Wasser verwenden. Nach der Reinigung der Dichtleiste prüfen, ob sie dicht schließt.

Den Lüftungsrost frei von Staub und Schmutz halten. Zur Reinigung des Rosts einen Staubsauger verwenden.

Bei längerer Abwesenheit, den Netzstecker ziehen und die Gefriertruhe ausräumen und reinigen. Den Deckel nicht schließen, um Geruchsbildung zu vermeiden.

## Austausch der Lampe

1. Netzstecker ziehen.
2. Lampenschirm abnehmen (Abb. 7). Den Schirm zusammendrücken, sodass er sich von den beiden Klipps löst.
3. Glühlampe(n) austauschen.
4. Lampenschirm wieder anbringen und Versorgungsspannung anschließen.

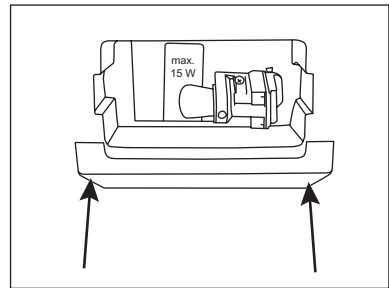


Abb. 7

## Sparen Sie Energie

- warme Speisen und Getränke vor dem Einfrieren abkühlen.
- Lassen Sie Gefriergut im Kühlschrank auftauen.
- Deckel möglichst geschlossen halten.
- regelmäßig prüfen, dass der Deckel dicht schließt.
- die Gefriertruhe in einem kühlen (max. 5 °C), gut belüfteten Raum aufstellen.
- das Gefriergut während des Abtauvorgangs im Kühlschrank lagern.
- Gefriergerät abtauen, bevor die Eisschicht zu dick wird.

# Fehlersuche

Fehler	Mögliche Ursache	Abhilfe
Kein Licht auf dem Display.	Es gibt nicht genug Licht für die Solar-Sensor.	Schalten Sie das Licht an.
Keine Kontrolllampe leuchtet.	Das Gerät ist ausgeschaltet.  Stromausfall; Sicherung hat angesprochen; Netzstecker nicht richtig eingesteckt.	Stecker und Schalter prüfen. Prüfen, ob der Strom angeschlossen ist.  Die Sicherung muss intakt/eingeschaltet sein.
Die Temperatur im Gefrierraum ist zu hoch.	Der Belüftungsrast ist blockiert.  Der Deckel der Gefriertruhe ist nicht ordnungsgemäß geschlossen.  Es wurde mehr neues Gefriergut in das Gerät gelegt, als gleichzeitig eingefroren werden kann.  Starke Reif- und Eisschicht. Thermostat zu warm eingestellt.	Für unbehinderte Luftzirkulation sorgen.  Deckel schließen und einige Stunden lang warten.  Einige Stunden warten.  Gefriergerät abtauen. Thermostat auf niedrigere Temperatur einstellen.
Temperatur im Gefriergerät zu niedrig.	Thermostat zu kalt eingestellt.  Deckel liegt auf Gefriergut auf.	Thermostat auf höhere Temperatur einstellen.  Gefriergut umlagern und prüfen, ob der Deckel nun dicht schließt.
Gefriergerät setzt schnell Reif an.	Der Raum ist sehr feucht.  Das Gefriergut gibt Feuchtigkeit ab.	Häufig lüften oder Gerät in einem anderen, trockeneren Raum aufstellen.  Gefriergut umpacken.
Deckel lässt sich nicht öffnen.	Unterdruck im Gefriergerät.	2-3 Minuten warten, bis der Unterdruck abgebaut ist, dann erneut versuchen.
Vibrationen und ungewöhnliche Geräusche.	Das Gerät steht nicht auf einer ebenen Unterlage.  Das Gerät steht nicht frei.  Körbe oder Trennwand sind locker.	Gerät auf eine ebene, waagerechte und feste Unterlage stellen.  Gerät von Möbeln oder anderen Geräten abrücken.  Die beweglichen Teile prüfen und wieder einsetzen.

# Reklamation, Ersatzteile und Service

Der Lieferant haftet nicht für Fehler oder Schäden, die direkt oder indirekt durch Fehlbedienung, Missbrauch, mangelhafte Wartung, fehlerhaften Einbau, fehlerhafte Aufstellung oder fehlerhaften Anschluss sowie Feuer, Unfall, Blitzschlag, Spannungsänderungen oder andere elektrische Störungen – wie z.B. defekte Sicherungen oder Fehler in der Netzinstallation – sowie von anderen als den von dem Lieferanten vorgeschriebenen

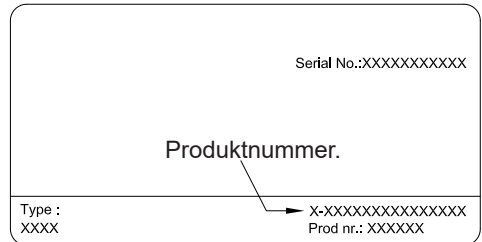
Reparaturbetrieben ausgeführten Reparaturen verursacht wurden, und allgemein nicht für Fehler und Schäden, die der Lieferant nachweislich auf andere Ursachen als Fabrikations- und Materialfehler zurückführen kann. Diese Fehler oder Schäden fallen nicht unter das Reklamationsrecht.

Transportschäden, die der Anwender feststellt, sind primär eine Sache zwischen ihm und dem Händler, d.h. der Händler hat den Anwender zufrieden zu stellen.

Bevor Sie den Kundendienst rufen, prüfen Sie bitte, ob Sie den Fehler selbst beheben können (siehe Fehlersuche). Ist Ihr Hilfeverlangen unberechtigt, beispielsweise weil das Versagen des Geräts auf eine defekte Sicherung oder Fehlbedienung zurück zu führen ist, gehen die Kosten für den Servicebesuch zu Ihren Lasten.

## Ersatzteile

Bitte bei der Ersatzteilbestellung Typ- und Seriennummer sowie Produktionsnummer angeben. Diese Angaben finden Sie auf dem Typenschild.



Das Typenschild enthält verschiedene technische Angaben, u.a. auch Typ- und Seriennummer. Denken Sie daran! Stets nur autorisierte Handwerker zu beauftragen, wenn ein Teil repariert oder ausgewechselt werden muss!

# Entsorgung

## Benutzerinformation zur Sammlung und Entsorgung von veralteten Geräten und benutzten Batterien.



Diese Symbole auf den Produkten, Verpackungen und/oder Begleitdokumenten bedeuten, dass benutzte elektrische und elektronische Produkte und Batterien nicht in den allgemeinen Hausmüll gegeben werden sollen. Bitte bringen Sie diese alten Produkte und Batterien zur Behandlung, Aufarbeitung bzw. zum Recycling gemäß Ihrer Landesgesetzgebung und den Richtlinien 2002/96/EG und 2006/66/EG zu Ihren zuständigen Sammelpunkten.

Indem Sie diese Produkte und Batterien ordnungsgemäß entsorgen, helfen Sie dabei, wertvolle Ressourcen zu schützen und eventuelle negative Auswirkungen auf die menschliche Gesundheit und die Umwelt zu vermeiden, die anderenfalls durch eine unsachgemäße Abfallbehandlung auftreten können.

Wenn Sie ausführlichere Informationen zur Sammlung und zum Recycling alter Produkte und Batterien wünschen, wenden Sie sich bitte an Ihre örtlichen Verwaltungsbehörden, Ihren Abfallentsorgungsdienstleister oder an die Verkaufseinrichtung, in der Sie die Gegenstände gekauft haben.

Gemäß Landesvorschriften können wegen nicht ordnungsgemäßer Entsorgung dieses Abfalls Strafgerichte verhängt werden.



## Für geschäftliche Nutzer in der Europäischen Union.

Wenn Sie elektrische oder elektronische Geräte entsorgen möchten, wenden Sie sich wegen genauerer Informationen bitte an Ihren Händler oder Lieferanten.

## [Informationen zur Entsorgung in Ländern außerhalb der Europäischen Union]

Diese Symbole gelten nur innerhalb der Europäischen Union. Bitte treten Sie mit Ihrer Gemeindeverwaltung oder Ihrem Händler in Kontakt, wenn Sie dieses Produkt entsorgen möchten, und fragen Sie nach einer Entsorgungsmöglichkeit.



## Hinweis zum Batteriesymbol (unten zwei Symbolbeispiele):

Dieses Symbol kann in Kombination mit einem chemischen symbol verwendet werden. In diesem Fall erfüllt es die Anforderungen derjenigen Richtlinie, die für die betreffende Chemikalie erlassen wurde.



## Upozornění

Vzhledem k tomu, že zařízení obsahuje hořlavé chladivo, je třeba dbát o to, aby nedošlo k poškození chladících trubek.

Množství chladiva, které je použito ve Vašem přístroji, je uvedeno na výkonnostním štítku.

Norma EN378 uvádí, že místnost, kde budete zařízení instalovat, musí mít objem nejméně 1 m<sup>3</sup> na 8 g uhlovodíkového chladiva, které se používá v přístrojích. Cílem tohoto opatření je zabránit vytváření hořlavého plynu / vzdušných směsí v místnosti, kde je přístroj umístěn, v případě, že v chladícím obvodu dojde k úniku chladiva. Množství chladiva, které je použito ve Vašem přístroji, je uvedeno na výkonnostním štítku.

### UPOZORNĚNÍ:

Dbejte na to, aby větracím otvorům ve skříni přístroje nebo ve vestavěné konstrukci nic nepřekáželo

### UPOZORNĚNÍ:

Pro urychlení procesu odmrazení nepoužívejte žádná jiná

mechanická zařízení ani jiné prostředky, než jsou ty, které doporučuje výrobce

### UPOZORNĚNÍ:

Dbejte o to, aby nedošlo k poškození chladícího systému

### UPOZORNĚNÍ:

V prostorách, kde je uskladněné chladivo, nepoužívejte elektrické přístroje; výjimkou jsou přístroje typu doporučeného výrobcem

### UPOZORNĚNÍ:

Chraňte přístroj před působením deště

### UPOZORNĚNÍ:

Nebezpečí! Riziko požáru nebo exploze. Využívá se hořlavé chladivo. Elektrické komponenty (zástrčka, síťový kabel, kompresor atd.) musí vyměňovat certifikovaný servisní zástupce nebo kvalifikovaný servisní technik



### UPOZORNĚNÍ:

Při umísťování přístroje se ujistěte, že přívodní napájecí kabel není někde zachycen nebo poškozen.

### UPOZORNĚNÍ:

Na zadní straně přístroje neumisťujte více přenosných zásuvek nebo přenosných napájecích zdrojů

### UPOZORNĚNÍ:

Toto zařízení nesmí používat malé děti ani nemocné osoby, pokud nejsou pod dozorem odpovědné osoby, která zajistí, aby mohly zařízení bezpečně používat. Malé děti musí být pod dohledem dospělé osoby tak, aby si se zařízením nehrály

- Vždy dbejte o to, aby byly klíče umístěny odděleně od přístroje a mimo dosah dětí
- Před provedením servisního zásahu nebo čištěním přístroje jej odpojte od hlavního vedení nebo od zdroje elektrické energie
- **NEPOUŽÍVEJTE PRODLUŽOVACÍ KABEL**

- Pokud je napájecí kabel poškozen, musí jej vyměnit výrobce, jeho servisní zástupce nebo podobně kvalifikované osoby tak, aby se zabránilo případnému nebezpečí
- Vytváření námrazy na vnitřní stěně odpařovače a na horních dílech je přirozený jev. Z toho důvodu by se přístroj neměl odmrazovat během normálního čištění nebo údržby
- Jakékoliv změny na konstrukci přístroje budou mít za důsledek zrušení platnosti všech záruk a odpovědnosti za výrobek
- Tento spotřebič je určen výhradně k uchovávání vína

## Obsah

Upozornění .....	2
Seznamte se s mrazničkou .....	5
Uvedení do provozu a instalace .....	6
Zapojení do sítě.....	7
Provoz a funkce.....	8
Použití.....	9
Odmrazování .....	10
Čištění a údržba .....	11
Seznam odstraňování poruch.....	12
Záruka, náhradní díly a servis .....	13
Likvidace.....	14

## Před použitím

Před prvním uvedením vašeho nového spotřebiče do provozu si prosím pozorně přečtete následující instrukce, neboť obsahují důležité informace o jeho bezpečné instalaci, provozu a údržbě. Ušchovejte tyto instrukce pro budoucí použití.

Při převzetí zkontrolujte a ujistěte se, zda mraznička nebyla během přepravy poškozena. Poškození vzniklé během přepravy je třeba před uvedením do provozu oznámit místnímu dodavateli.

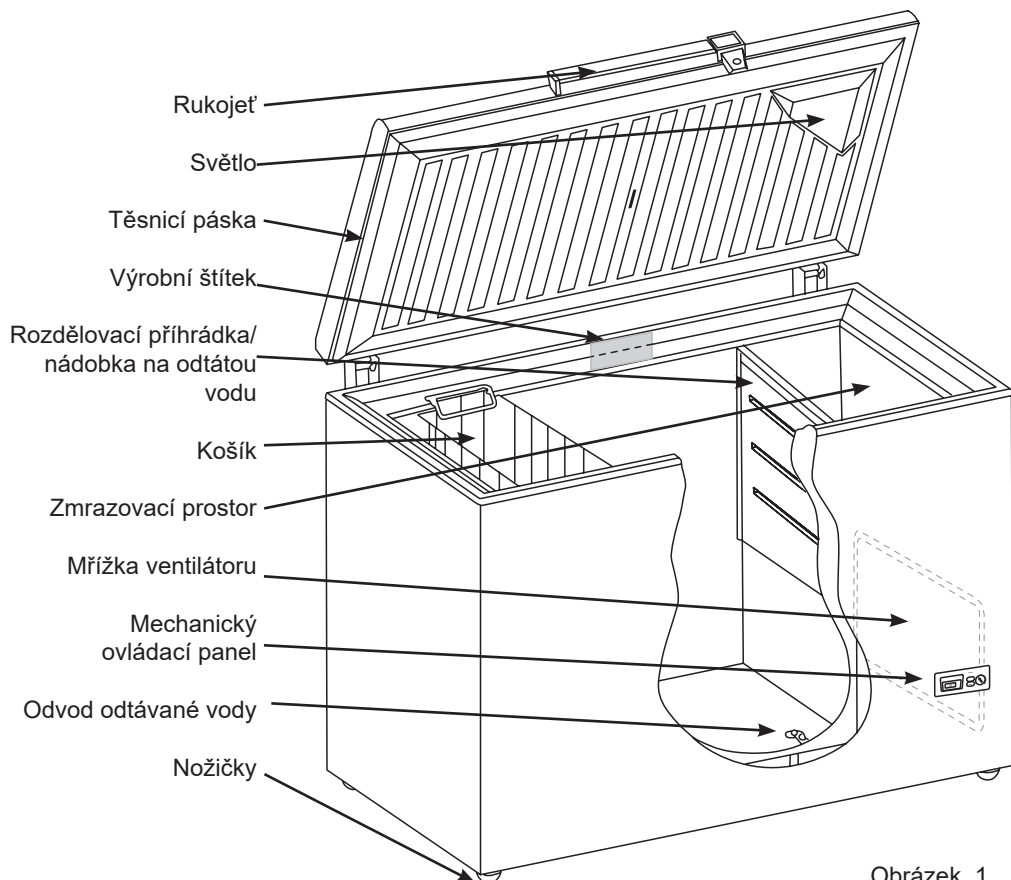
Odstraňte obal. Vymyjte vnitřek skříně mrazničky vlažnou vodou s jemným neperfémovaným mycím prostředkem. Spláchněte čistou vodou a důkladně osušte (viz pokyny pro čištění). Používejte měkký hadřík.

Pokud byla mraznička uskladněna v chladném prostředí (chladněji než +5 °C), nechte jí před použitím minimálně 1 hodinu vytemperovat.

Pokud byla mraznička přepravována ve stoje, měla by, než ji připojíte, asi půl dne stát v normální poloze.



## Seznamte se s mrazničkou



Obrázek. 1

# Uvedení do provozu a instalace

## Umístění

Z bezpečnostních a provozních důvodů nesmí být spotřebič umístěn venku.

Mrazničku umístěte na rovnou, do roviny vyrovnanou a stabilní plochu v suché a dobře větrané místnosti (max. 75% relativní vlhkosti vzduchu).

Nikdy neinstalujte spotřebič v blízkosti tepelných zdrojů, jako jsou sporáky nebo radiátory a vyhněte se umístění spotřebičů na přímém slunci.

## Okolní teplota

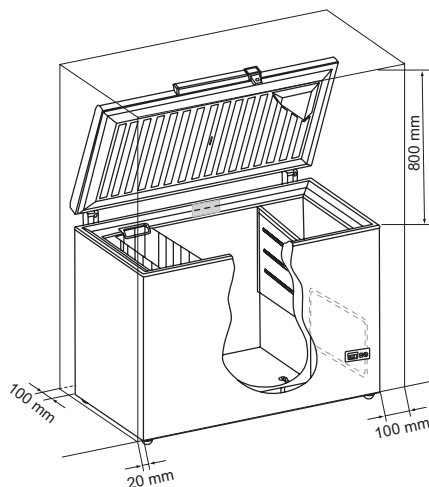
Klimatická třída je uvedena na výrobním štítku (viz straně 12). Specifikuje za jaké okolní teploty mraznička pracuje optimálně.

Klimatická třída	Optimální okolní teplota
SN	+10 °C à +32 °C
N	+16 °C à +32 °C
ST	+16 °C à +38 °C
T	+16 °C à +43 °C

Pokud je okolní teplota místnosti pod bodem mrazu, nebude mraznička normálně pracovat.

## Ventilace

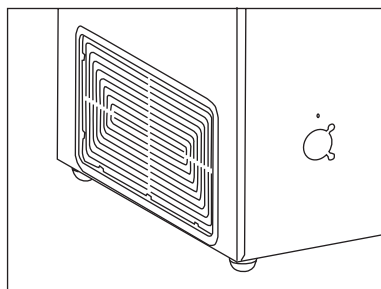
Je důležité, aby spotřebič byl dobře odvětráván a aby nad, pod a kolem spotřebiče mohl cirkulovat vzduch. Obrázek 2 ukazuje jak kolem spotřebiče zajistit nutnou cirkulaci.



Obrázek. 2

Mezi dnem mrazničky a podlahou má být 30 mm mezera.

**DŮLEŽITÉ!** Ventilací rošt musí být volně přístupný (obr. 3).



Obrázek. 3

## Zapojení do sítě

Vedení a připojení systémů napájecích zdrojů musí odpovídat příslušným (místním i národním) elektrickým standardům. Před instalací skříně se seznamte s velikostmi a délkami uvedených v těchto standardech.

Toto zařízení splňuje platné směrnice EU včetně Směrnice o nízkém napětí 2014/35/ES a Směrnice o elektromagnetické kompatibilitě 2014/30/ES.

Zástrčka by měla být volně přístupná.

Zařízení připojujte pouze ke střídavému proudu 220/240 V/50 Hz pomocí správně nainstalované a uzemněné zástrčky.

Zástrčka musí být vybavena 10–13 A pojistkou.

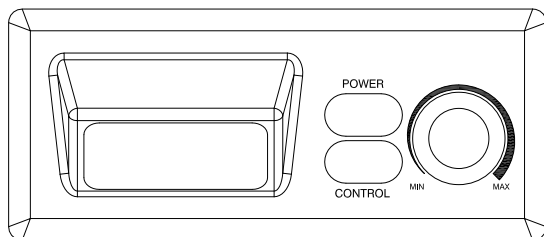
Pokud budete zařízení používat v zemi mimo Evropské unie, zkontrolujte štítek a ujistěte se, že uvedené napětí a typ proudu odpovídá hodnotám vaší napájecí sítě.

Informace týkající se napětí, proudu a výkonu jsou uvedeny na štítku

Napájecí kabel smí vyměňovat pouze technik.

Na výkonnostním štítku jsou uvedeny různé technické informace včetně typu a sériového čísla.

## Provoz a funkce



Obrázek 4

### Mechanické ovládání

Na ovládacím panelu jsou kromě tlačítka termostatu (obr. 4) dvě kontrolní světýlka a jeden spínač. Design panelu se může lišit a také se může lišit vzájemné umístění kontrolních světýlek.

Zelená kontrolka (horní kontakt) svítí, když je připojeno správné napájení.

Zelená kontrolka (spodní kontakt) se rozsvítí, když běží kompresor.

### Nastavení teploty je příliš vysoké

Teplotu nastavíte, když budete otáčet knoflíkem termostatu od MIN do MAX. Doporučujeme používat minci. Čím více otačíte knoflíkem termostatu směrem k MAX, tím nižší bude teplota. Správnou teplotu dosáhnete měřením teploty na horním balíčku uprostřed mrazničky.

Neměla by být teplejší než  $-18\text{ }^{\circ}\text{C}$ .

# Použití

## Mraznička

Mraznička je čtyřhvězdičková a je schválena ke zmrazování a skladování potravin.

## Zmrazování

Aby byly potraviny udrženy v co nejlepším stavu, musí být, pokud možno, co nejrychleji zmrazeny na teplotu  $-18\text{ }^{\circ}\text{C}$ .

Zmrazovací kapacita mrazničky je uvedena na na typovém štítku v kg/24 hod (viz straně 12.)

Zamražujte pouze výrobky s vysokou jakostí. Vhodné pro zamražení jsou maso, drůbež, ryby, zelenina, ovoce, mléčné výrobky a předem připravené pokrmy. K zamražení nejsou vhodné potraviny s vysokým obsahem vody, například salát, ředkvičky, hrozny, jablka, hrušky a okurky.

Uložte potraviny, které mají být zamrazeny, do vzduchotěsných dóz nebo je vložte do sáčků určených pro mrazničky apod. Zmrazujte potraviny ve vhodných dávkách. Nezamrazujte zeleninu nebo maso v dávkách větších než 2,5 kg. Dbejte na to, aby balení byla suchá a nepřimrzala k sobě. Abyste dosáhli rychlého zmrazení, zajistěte, pokud možno, aby se potraviny uložené v mrazničce navzájem nedotýkaly. Zajistěte, pokud možno, co nejmenší obsah vzduchu v balení, abyste zabránili osychání povrchu potravin.

Zboží, které se má zmrazit umístěte dovnitř do prostoru mrazničky nebo rovnoměrně kolem vnitřních stěn.

Před uložením potravin do mrazničky nikdy nezapomeňte na balení napsat datum, obsah a množství. Vhodné je v mrazicí zásuvce skladovat potraviny stejného

druhu. V jedné mrazicí zásuvce skladujte zeleninu, ve druhé maso atd.

**Potraviny neukládejte výše než 5 mm pod víko.**

Potraviny skladované v košíkách jsou viditelné a lehce dostupné (obr. 5).



Obrázek 5

## Rozmrazování

Mražená zelenina a ovoce nevyžadují před použitím rozmrazení a mohou být vloženy do vroucí vody přímo po vyjmutí z mrazničky.

K rozmrazení masa se doporučuje, aby bylo vyjmuta z mrazničky 24 h před jeho použitím a uloženo v chladničce k rozmrazení. Tento postup zajišťuje nejlepší hygienické podmínky a zachovává co nejvyšší kvalitu potravin.

## Poznámka:

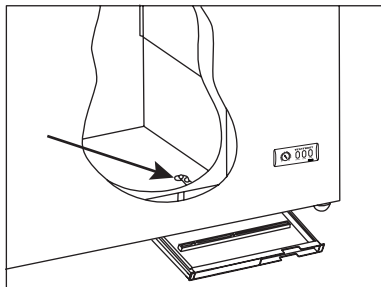
Nápoje sycené kyslíčnickem uhličitým nebo nápoje šumivé (ať už v láhvích nebo plechovkách) se nesmí nikdy do mrazničky ukládat, protože by mohly explodovat.

## Odmrazování

Uskladněné potraviny a vlhkost vzduchu způsobují postupné vytváření námrazy a ledu uvnitř v mrazničce. Tenká vrstva námrazy a ledu neovlivní výkon mrazničky, ale čím tlustší je vrstva, tím vyšší je spotřeba energie. Přebytečná námraza může být odstraněna pomocí plastové škrabky.

Nikdy nepoužívejte elektrické přístroje nebo ostré předměty, které mohou poškodit vnitřní součásti spotřebiče.

Pokud vrstva námrazy nebo ledu převyší tloušťku 4-5 mm, mraznička by měla být úplně odmrázena. Mrazničku se doporučuje odmrázovat, když v ní je málo zboží nebo je prázdná.



Obrázek 6

Postup odmrázení je následující:

1. Přerušete přívod elektrického proudu.
2. Vyjměte potraviny. Skladujte je v chladničce nebo zabalené, aby se zabránilo jejich rozmrazení.
3. Víko nechte otevřené.
4. Pod vývod odtáté vody umístěte rozdělovací přihrádku.
5. Do mrazničky postavte mísu s teplou (ne vařící) vodou, zavřete víko a čekejte asi 30 minut. Potom plastovou škrabkou odstraňte vrstvu námrazy.
6. Hlíďte vývod odtávané vody, aby voda při odtávání nevytekla na podlahu. U vývodu odtávané vody přikryjte podlahu a ochráňte ji od ledu a vody. Po roztání ledu vymyjte vnitřek skříně roztokem jemného neparfémovaného mycího přípravku. Vytřete mrazničku do sucha jemným hadříkem.
7. Připojte ke zdroji elektrického proudu.
8. Potraviny uložte znovu do mrazničky přibližně pět minut poté, co je zapnuta.

**Pozor, uzavřete vývod odtávané vody.**

# Čištění a údržba

## Čištění

Před čištěním odpojte od zdroje proudu a vyndejte veškerý volný inventář.

Mraznička se nejlépe vyčistí roztokem vlažné vody s neparfémovaným mycím prostředkem. (max. 65 °C). Nikdy nepoužívejte abrazivní čisticí prostředky. Používejte měkký hadřík. Vymyjte čistou vodou a pečlivě vytřete do sucha. Důležité je, aby se voda nedostala na řídicí panel.

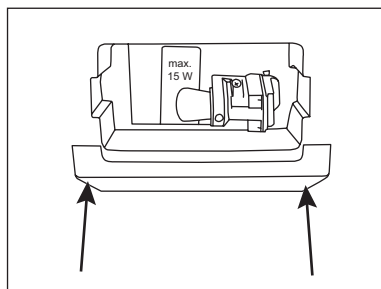
Těsnění kolem dveří je třeba pravidelně čistit, aby se zabránilo zabarvení a prodloužila se jeho životnost. Používejte čistou vodu. Po očištění těsnění ve dveřích zkontrolujte, zda dveře i nadále řádně těsní.

Rošt ventilátoru by neměl být zanešen špínou a nečistotou. Čistěte vysavačem.

Budete-li delší dobu na cestách, vypněte přívod proudu, vytahněte kabel ze zásuvky, vyprázdněte a vyčistěte prostor mrazničky a nechte víko otevřené, zabráníte tak nepříjemnému zápachu.

## Výměna žárovky

1. Tlačítkem vypněte proud a vytahněte kabel ze zásuvky.
2. Odmontujte kryt světla (obr. 7). Kryt stiskněte, uvolní se ze 2 drážek.
3. Vyměňte žárovku(y).
4. Nasadte na světlo kryt a připojte elektrický proud.



Obrázek. 7

## Úspory energie

- Horké potraviny a nápoje nechte před jejich umístěním do mrazničky vychladnout.
- Rozmrazte zmražené potraviny v chladničce.
- Dveře ponechte co nejvíce zavřené.
- Pravidelně kontrolujte zda víko doléhá.
- Umístěte mrazničku v chladné, (min. 5 °C) a dobře větrané místnosti.
- Zmražené potraviny skladujte během odmrazování mrazničky v chladničce.
- Mrazničku odmrazte dříve než se vytvoří velká vrstva námrazy.

## Seznam odstraňování poruch

Poruchy	Možné příčiny	Odstranění poruchy
Žádné světlo na displeji.	Není dostatek světla pro sluneční senzor.	Zapněte světlo.
Žádné kontrolní diody nesvítí.	Spotřebič je vypnutý.  Porucha přívodu energie; pojistka je spálená; zástrčka spotřebiče není dobře zastrčena do zásuvky.	Překontrolujte zástrčku a zásuvku.  Zkontrolujte přívod energie. Zapněte znovu pojistku.
Teplota v mrazničce je příliš vysoká.	Rošt ventilátoru je zanesen.  Víko mrazničky není dobře zavřeno.  Do mrazničky bylo najednou vloženo více zboží, než je než kapacita spotřebiče.  Silná vrstva námrazy a ledu.  Termostat je málo nastaven.	Zabezpečte volnou cirkulaci vzduchu.  Zavřete víko a čekejte několik minut.  Čekejte několik hodin.  Odledněte mrazničku.  Nastavte termostat do pozice na chladněji.
Teplota v mrazničce je příliš nízká.	Termostat je nastaven na velmi chladno.  Víko naráží na zboží uvnitř mrazničky.	Nastavte termostat do pozice tepleji.  Přeložte zboží a překontrolujte, zda se víko dá správně zavřít.
V mrazničce se tvoří silná námraza.	Místnost je velmi vlhká.  Ze zboží se odpařuje vlhkost.	Větrejte častěji nebo přestěhujte mrazničku do místnosti, která není tak vlhká.  Přebalte zboží.
Víko se nedá otevřít.	V mrazničce je podtlak.	Počkejte 2-3 minuty než podtlak zmizí a zkuste znovu.
Víbrace a nenormální hluk.	Spotřebič nestojí na rovné ploše.  Spotřebič nestojí volně.  Košíky nebo dělicí příhrádky jsou uvolněné.	Umístěte mrazničku na rovnou a stabilní plochu a vyrovnejte.  Posuňte spotřebič pryč od nábytku nebo jiných spotřebičů.  Překontrolujte přemístitelné díly a opět je instalujte.



## Záruka, náhradní díly a servis

### Záruka se nevztahuje na

Chyby a závady způsobené přímo nebo nepřímou nesprávným provozováním, špatným používáním, nedostatečnou údržbou, nesprávnou montáží, instalací nebo připojením vedení. Záruka se nevztahuje na požár, nehodu, nehodu způsobenou zásahem blesku, kolísáním napětí nebo jinou poruchou v elektrické síti, včetně vadných pojistek nebo poruchou v instalaci elektrického vedení.

Záruka se nevztahuje na opravy prováděné někým jiným než schválenými servisními středisky nebo jiné škody a závady, u nichž může výrobce doložit, že byly způsobeny z jiných důvodů, než je špatné zhotovení nebo závada materiálu.

Mějte na paměti, že změny konstrukce přístroje nebo změny některého komponentu zařízení budou mít za důsledek zneplatnění záruky a odpovědnosti za výrobek, přičemž v takovém případě nemůže být přístroj právoplatně používán. V takovém případě bude zrušena rovněž platnost souhlasu uvedeného na výkonnostním štítku.

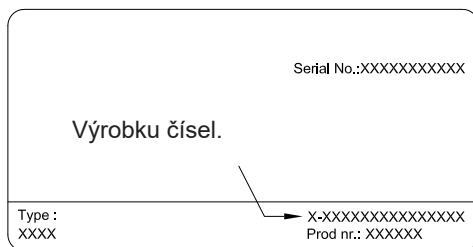
Poškození přepravou zjištěná kupujícím jsou záležitostí, která má být řešena mezi kupujícím a prodejcem, tj. prodejce musí zajistit, aby stížnosti kupujícího bylo vyhověno

Dříve, než zavoláte technickou pomoc, zjistěte, zda nejste schopni závadu odstranit sami. Pokud požádáte o opravu, na níž se nevztahují záruční podmínky, například v případě, kdy se spotřebič poškodil v důsledku vypnutí pojistek nebo nesprávného zacházení, budete hradit náklady spojené s vaším požadavkem o technickou pomoc.

### Náhradní díly

Při objednávání náhradních dílů uveďte typ, sériové a výrobní číslo Vašeho přístroje.

Tyto informace jsou uvedeny na výkonnostním štítku. Na výkonnostním štítku jsou uvedeny různé technické informace včetně výrobku a sériových čísel.



# Likvidace

## *Informace pro spotřebitele o sběru a likvidaci odpadu z elektrických a elektronických zařízení a použitých baterií z domácností.*



Tyto symboly na výrobcích, obalech nebo v průvodní dokumentaci znamenají, že použitá elektrická a elektronická zařízení a baterie nepatří do běžného domácího odpadu. Správná likvidace, recyklace a opětovné použití jsou možné jen pokud odevzdáte tato zařízení a použité baterie na místech k tomu určených, za což neplatíte žádné poplatky, v souladu s platnými národními předpisy a se Směrnicemi 2002/96/EU a 2006/66/EU.

suroviny a předcházet možným negativním účinkům na lidské zdraví a na přírodní prostředí, které jinak mohou vzniknout při nesprávném zacházení s odpady. Další informace o sběru, likvidaci a recyklaci starých

přístrojů a použitých baterií Vám poskytnou místní úřady, provozovny sběrných dvorů nebo prodejna, ve které jste toto zboží zakoupili.

Při nesprávné likvidaci odpadu vám hrozí pokuta v souladu s národní legislativou a místními předpisy.



## **Informace pro právnické osoby se sídlem v zemích Evropské Unie (EU)**

Pokud chcete likvidovat elektrická nebo elektronická zařízení, obraťte se na prodejce nebo dodavatele s žádostí o další informace.

### **[Informace o likvidaci v zemích mimo Evropskou Unii (EU)]**

Tyto symboly platí jen v zemích Evropské unie. Chcete-li tento výrobek zlikvidovat, vyžádejte si potřebné informace o správném způsobu



### **IPoznámka k symbolu baterie (symboly uprostřed a dole):**

Tento symbol může být použit v kombinaci s chemickým symbolem. V tomto případě splňuje tento symbol legislativní požadavky, které jsou předepsány pro chemickou látku obsaženou v baterii.



## Waarschuwing

Aangezien het toestel ontvlambaar koudemiddel bevat, is het van het allergrootste belang dat de koudemiddelbuizen niet beschadigen.

### **Op het typeplaatje ziet u hoeveel en welk koelmiddel wordt gebruikt in uw apparaat.**

Norm EN378 stelt dat de ruimte waarin u uw toestel plaatst, een volume heeft van 1 m<sup>3</sup> per 8 g koolwaterstof koudemiddel dat in het toestel wordt gebruikt. De reden hiervoor is te voorkomen dat er in de ruimte waar het toestel is geplaatst bij een lekkage in het koelcircuit ontvlambare gas-/luchtmengsels worden gevormd. De hoeveelheid koudemiddel die in uw toestel aanwezig is, staat aangegeven op het typeplaatje.

#### **WAARSCHUWING:**

Hou de ventilatieopeningen in de kast van het toestel of in de ingebouwde structuur vrij van obstakels.

#### **WAARSCHUWING:**

Gebruik geen andere mechanische instrumenten of andere middelen om het ontdooiproces

te versnellen dan die door de producent worden aanbevolen.

#### **WAARSCHUWING:**

Beschadig het koelsysteem niet.

#### **WAARSCHUWING:**

Gebruik geen elektrische toestellen in de vriesruimte, tenzij het type door de producent wordt aanbevolen.

#### **WAARSCHUWING:**

Stel het toestel niet aan regen bloot.

#### **WAARSCHUWING:**

Het is niet de bedoeling dat jonge kinderen of zwakke personen dit toestel gebruiken, tenzij een verantwoordelijk persoon toezicht houdt en er voor kan zorgen dat ze het toestel veilig kunnen gebruiken. Er moet toezicht gehouden worden op jonge kinderen zodat zij niet met het toestel spelen.

#### **WAARSCHUWING:**

Bewaar geen explosieve stoffen, zoals spuitbussen met ontvlambaar drijfgas in het apparaat.

**WAARSCHUWING:**

Gevaar! Kans op brand of explosie bij gebruik van ontvlambaar koelmiddel. Mag alleen worden gerepareerd door opgeleid personeel.

**WAARSCHUWING:** als het apparaat wordt geplaatst, zorg dan dat het netsnoer niet vast zit of beschadigd is.

**WAARSCHUWING:** plaats nooit meer dan 1 stekkerdozen of voedings aan de achterkant van het apparaat.

- Bewaar de sleutels altijd op een afzonderlijke plek en buiten bereik van kinderen.
- Haal de stekker uit het stopcontact of schakel de stroom naar het toestel uit voordat u servicewerkzaamheden

uitvoert of het toestel schoonmaakt.

- Als de stroomkabel is beschadigd, moet hij door de producent, haar service-agent of gelijksoortig gekwalificeerde personen vervangen worden om gevaar te voorkomen.
- Rijpvorming op de verdamperwand en het bovengedeelte is een natuurlijk verschijnsel. Het toestel moet dan ook ontdooid worden tijdens de gebruikelijke schoonmaak- of onderhoudsbeurt.
- Let erop dat wijzigingen aan constructie van het toestel ertoe leiden dat elke garantie en productaansprakelijkheid zal vervallen.
- Gebruik geen verlengsnoeren.

## Inhoud

Waarschuwing .....	2
Uw vriezer leren kennen .....	5
Installatie en ingebruikneming .....	7
Bediening en functie .....	8
Toepassing .....	9
Ontdooien .....	10
Reiniging en onderhoud .....	11
Fouten opsporen .....	12
Garantie, reserveonderdelen en service ..	13
Verschroten .....	14

## Voordat u begint

Voordat u uw nieuwe kast in gebruik neemt, dient u de gebruiksaanwijzing grondig door te nemen. De gebruiksaanwijzing bevat belangrijke informatie over veiligheid, installatie, werking en onderhoud. Bewaar de gebruiksaanwijzing. U kunt hem later misschien nog nodig hebben.

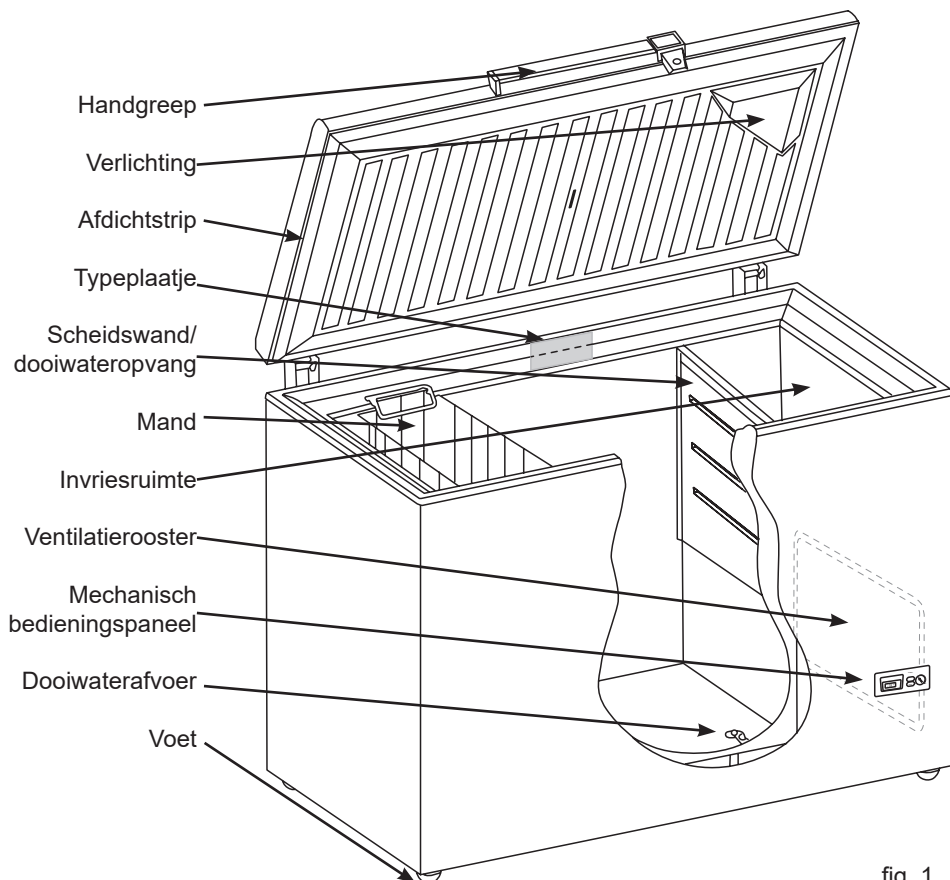
Controleer bij de ontvangst dat de vriezer niet beschadigd is. Transportbeschadigingen moeten aan de handelaar gemeld worden voordat de vrieskist in gebruik genomen wordt.

Verwijder de verpakking. Maak de kast van binnen met een sopje van lauw water en een zacht, ongeparfumeerd afwasmiddel schoon. Met schoon water nawassen en grondig afdrogen (zie onder reiniging). Gebruik hiervoor een zachte doek.

Indien de vriezer in een koude omgeving (kouder dan +5 °C) opgeslagen is geweest, moet er een rustperiode van minstens 1 uur in acht genomen worden voordat de kist in gebruik genomen wordt.

Wanneer de vriezer met de smalle kant naar boven getransporteerd is, moet hij ca. 12 uur in de normale stand staan voordat hij mag worden aangesloten.

# Uw vriezer leren kennen



## Technische gegevens

De bedrading en aansluitingen in stroomvoorzieningen moeten voldoen aan de (plaatselijke en nationale) normen en voorschriften. Stel u op de hoogte van de lengtes en afmetingen in deze normen en voorschriften voordat u de kast installeert.

Dit toestel beantwoordt aan de toepasselijke EU richtlijnen, waaronder de laagspanningsrichtlijn 2014/35/EU en de EMC-richtlijn 2014/30/EU.

De stekker moet eenvoudig bereikbaar zijn.

Sluit het apparaat uitsluitend aan op 220/240 V / 50 Hz wisselstroom via een correct geïnstalleerd geaard stopcontact.

Het stopcontact moet zijn voorzien van een 10-13 A zekering.

Als het apparaat wordt gebruikt in een niet-Europees land, controleer dan op het typeplaatje of de aangegeven spanning en stroomsterkte overeenkomen met de waarden van uw stroomvoorziening.

**Informatie over de spanning, de stroomsterkte en het vermogen vindt u op het typeplaatje.**

Als de stroomkabel is beschadigd, moet hij door de producent, haar service-agent of gelijksoortig gekwalificeerde personen vervangen worden om gevaar te voorkomen.

Op het typeplaatje staat een aantal technische gegevens en het type- en serienummer.



# Installatie en ingebruikneming

## Plaatsing

De vriezer mag om veiligheidsredenen niet buiten geplaatst worden.

Plaats de vrieskist op een egale, vlakke en stabiele onderlaag in een droge en goed geventileerde ruimte (max. 75% relatieve luchtvochtigheid).

Plaats de vrieskist niet dicht bij verwarmingsbronnen als fornuizen of radiatoren, en vermijd dat hij in direct zonlicht of de warmte van een andere verwarmingsbron staat.

## Ruimtemperatuur

De temperatuurklasse staat op het typeplaatje (zie blz. 12). Hiermee wordt aangegeven onder welke ruimtetemperaturen de vrieskist optimaal werkt.

Temperatuurklasse	Toegestane ruimtetemperatuur
SN	+10 °C à +32 °C
N	+16 °C à +32 °C
ST	+16 °C à +38 °C
T	+16 °C à +43 °C

Als de ruimtetemperatuur onder het vriespunt is, zal de vriezer niet normaal werken.

## Ventilatie

Het is belangrijk dat de kist voldoende ventilatie heeft en dat er boven, onder en rondom de kist een vrije luchtcirculatie is. Fig. 2 laat zien hoe de benodigde circulatie rondom de vriezer bereikt wordt.

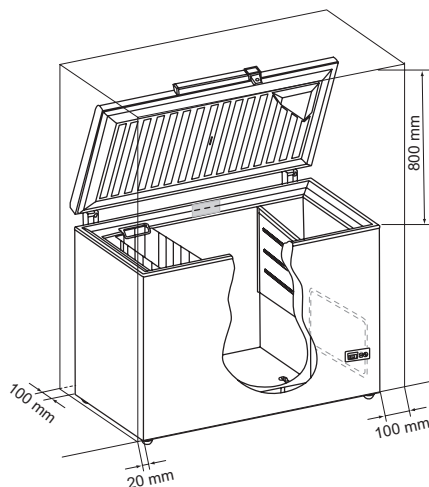


fig. 2

Tussen de onderkant van de vriezer en de vloer moet een tussenruimte van 30 mm zijn.

**BELANGRIJK!** Het ventilatierooster moet vrij toegankelijk zijn (fig. 3).

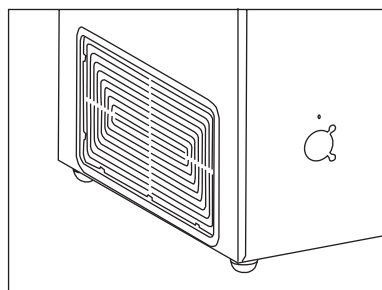


fig. 3

## Bediening en functie

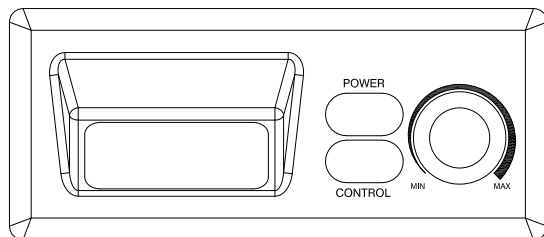


fig. 4

### Mechanische regeling

Het bedieningspaneel bevat naast de thermostaatknop (fig. 4) twee controlelampjes en een schakelaar. Er kunnen kleine verschillen optreden in het ontwerp van het paneel en de plaatsing van de lampen ten opzichte van elkaar.

Het groene lampje (het bovenste contact) brandt, wanneer de stroom correct wordt geleverd.

Het groene lampje (het onderste contact) brandt, wanneer de compressor loopt.

### Temperatuurinstelling

De temperatuur is in te stellen door de thermostaatknop van MIN naar MAX te draaien. Aangeraden wordt hierbij een munt te gebruiken. Hoe dichter de thermostaatknop bij MAX komt, des te lager de temperatuur. De juiste instelling wordt gevonden door de temperatuur op het bovenste pak middenin de vriezer te meten.

De temperatuur dient niet hoger te zijn dan  $-18^{\circ}\text{C}$ .

# Toepassing

## De vriezer

De vrieskist is een viersterren vriezer die goedgekeurd is voor het invriezen en bewaren van diepvriesproducten.

## Invriezen

Om een goede kwaliteit van de producten te behouden moeten ze zo snel mogelijk tot  $-18\text{ }^{\circ}\text{C}$  ingevroren worden.

De invriescapaciteit staat in kg/24 uur op het typeplaatje (zie blz. 12).

Gebruik alleen verse levensmiddelen van goede kwaliteit. Vlees, pluimvee, vis, groente, fruit, zuivelproducten en toebe-reide gerechten zijn voor invriezen geschikt. Levensmiddelen met een hoog vochtge-halte zoals sla, radijzen, grapefruit, hele appels, komkommers en peren zijn niet geschikt om in te vriezen.

Verpak de levensmiddelen in luchtdichte dozen, vrieszakjes en dergelijke. Zorg ervoor dat de porties praktisch zijn. Vries geen porties groenten en vlees in groter dan 2,5 kg. Zorg ervoor dat de verpak-kingen droog zijn, zodat ze niet aan elkaar vriezen. Leg indien mogelijk de in te vriezen producten zó dat ze niet met elkaar in aan-raking komen, dan verloopt het invriespro-ces sneller. Druk de lucht uit de verpakking; hierdoor wordt voorkomen dat de inhoud op de buitenkant uitdroogt.

Leg de in te vriezen producten in de invries-ruimte of verdeel ze langs de binnenwan-den van de vriezer.

Vergeet niet inhoud, hoeveelheid en datum op de verpakking te noteren. U kunt de le-vensmiddelen met voordeel in “categorieën” opdelen. Dat wil zeggen groenten op één plek, vlees op een andere plek enz.

**Stapel de levensmiddelen niet hoger dan 5 mm onder de onderzijde van het deksel.**

Levensmiddelen die in de manden liggen, zijn zichtbaar en gemakkelijk toegankelijk (fig. 5).



fig. 5

## Ontdooien

Ontdooi ingevroren groenten en fruit niet voor gebruik, maar leg ze meteen in kokend water.

Vlees dat moet ontdooien, kan het beste de dag tevoren in de koelkast gelegd worden. Dit is het meest hygiënisch en de kwaliteit van het vlees blijft hierdoor beter.

### NB:

**Vries geen glazen flessen en doosjes in die koolzuurhoudende vloeistoffen bevatten want ze kunnen ontploffen.**

## Ontdooien

De producten en het in de lucht aanwezige vocht veroorzaken op den duur rijp- en ijsvorming in de kist. Een dun laagje rijp of ijs heeft geen invloed op de functie van de vriezer, maar hoe dikker de laag, desto hoger het energieverbruik. Wat losse rijp kunt u met een kunststof schraper verwijderen.

**Gebruik nooit elektrische apparaten of andere scherpe voorwerpen omdat dit de inwendige delen in de kist kan beschadigen.**

Wanneer de laag rijp of ijs 4-5 mm dik is, moet de vriezer ontdooid worden. Aangeraden wordt de vriezer te ontdooien als er weinig of geen producten in zitten.

Doe dit als volgt.

1. Schakel de stroom uit.
2. Verwijder de levensmiddelen. Bewaar ze in de koelkast of goed ingepakt, zodat ze zo weinig mogelijk ontdooien.
3. Laat het deksel open staan.
4. Zet de scheidswand onder de dooiwaterafvoer.
5. Zet een schaal warm water (niet kokend) in de vriezer, sluit het deksel ca. 30 minuten en verwijder daarna de rijplaag met de kunststofschraper.
6. Hou de dooiwateropvang tijdens het ontdooiproces in de gaten om water op de vloer te vermijden. Dek de vloer rond de dooiwaterafvoer af om de vloer tegen ijs en waterdruppels te beschermen. Maak de vriezer als het ijs gesmolten is, met een zwakke oplossing van water en ongeparfumeerd afwasmiddel schoon. Droog hem met een zachte doek af.
7. Schakel de stroom in.

8. U kunt de levensmiddelen ca. 5 minuten nadat de kist ingeschakeld is weer in de vriezer leggen.

Vergeet niet de dooiwaterafvoer weer af te sluiten.

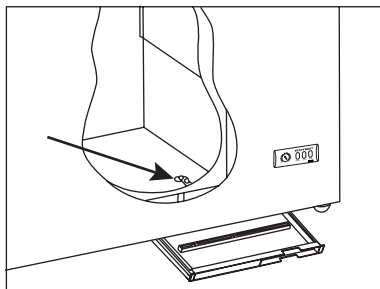


fig. 6

# Reiniging en onderhoud

## Reinigen

Haal vóór het reinigen de stekker uit het contact en verwijder al het losse toebehooren.

U kunt de kist het beste reinigen met een sopje van water en wat ongeparfumeerd afwasmiddel (max. 65 °C). Gebruik geen schurende reinigingsmiddelen. Gebruik hiervoor een zachte doek. Met schoon water nawassen en grondig afdrogen. Voorkom dat er water in het bedieningspaneel dringt.

Maak de afdichtstrip rondom het deksel regelmatig schoon om verkleuren te voorkomen en een lange levensduur te waarborgen. Gebruik schoon water. Controleer nadat u de strip schoongemaakt heeft, of het deksel nog dicht sluit.

Zorg ervoor dat het ventilatierooster vrij van stof en vuil is. Reinig het met de stofzuiger.

Zet, indien u een tijd lang op reis bent, de stroom uit, trek de stekker uit het stopcontact, leeg de kast, maak hem schoon en laat het deksel openstaan om luchtjes te vermijden.

## De gloeilamp vervangen

1. Haal de stekker uit het stopcontact.
2. Demonteer het beschermkapje (fig. 7). Klem het beschermkapje samen zodat deze loskomt van de twee clips.
3. Vervang de gloeilamp(en).
4. Monteer het beschermkapje weer en steek de stekker in het stopcontact.

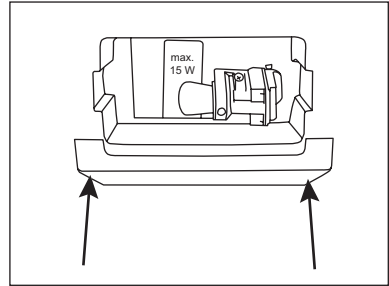


fig. 7

## Spaar energie

- Koel warm eten en dranken af voordat u ze in de vrieskast plaatst.
- Laat bevroren levensmiddelen in de koelkast ontdooien.
- Hou het deksel zo veel mogelijk gesloten.
- Controleer regelmatig dat het deksel dicht afsluit
- Installeer de vriezer in een koele (min. 5 °C) en goed geventileerde ruimte.
- Leg bevroren levensmiddelen in de koelkast terwijl de vriezer ontdooit wordt.
- Ontdooi de

## Fouten opsporen

Fout	Mogelijke oorzaak	Verhelpen
Geen licht in het display.	Er is niet genoeg licht voor de zonnensensor.	Zet het licht.
Geen van de controlelampjes branden.	De vriezer staat uit. Stroomstoring; de zekering is doorgeslagen; de stekker zit niet goed in het stopcontact.	Controleer stekker en contact. Controleer of de stroom is ingeschakeld. De zekering moet aan staan.
De temperatuur in de vriezer is te hoog	Het ventilatierooster is geblokkeerd. Het deksel van de vriezer is niet goed gesloten. Er zijn meer invriesproducten tegelijk in de kist gelegd dan de capaciteit kan klaren. Veel rijp- en ijsvorming. De thermostaat is te warm afgesteld.	Zorg ervoor dat de luchtcirculatie niet verhinderd wordt.  Sluit het deksel en wacht een paar uur.  Wacht een paar uur.  Ontdooi de vriezer. Zet de thermostaat kouder.
De temperatuur in de vrieskist is te laag.	De thermostaat is te koud afgesteld. Het deksel stoot tegen producten in de vriezer.	Verplaats de producten en controleer dat het deksel goed afsluit.
De vriezer rijpt overmatig.	De ruimte is erg vochtig.  De producten geven vocht af.	Lucht de ruimte regelmatig door of verplaats de vriezer naar een ruimte met minder vocht.  Pak de producten beter in.
Het deksel kan niet openen.	Onderdruk in de vriezer.	Wacht 2-3 minuten totdat de onderdruk verdwenen is en probeer het nog eens.
Trillingen en ongewoon lawaai.	De vriezer staat niet op een egaal vlak. De vriezer staat niet vrij. Manden of de scheidswand zitten los.	Plaats de vrieskist op een egale, vlakke en stabiele onderlaag.  Verwijder de vriezer van meubelen of andere apparaten.  Controleer de verplaatsbare delen en zet ze weer terug.

# Garantie, reserveonderdelen en service

## Uitsluiting van garantie

Fouten en schade die direct of indirect worden veroorzaakt door verkeerde bediening, misbruik, onvoldoende onderhoud, onjuiste gebouw, installatie of stroomaansluiting. Brand, ongelukken, bliksem, netspanningsschommelingen of andere elektrische storingen, waaronder doorgeslagen zekeringen of fouten in de netvoeding vallen niet onder de garantie.

Reparaties die worden uitgevoerd door andere dan goedgekeurde servicecentra en fouten en schade waarvan de producent kan bewijzen dat zij zijn ontstaan om andere redenen dan productie- of materiaal fouten vallen niet onder de garantie.

Let erop dat wijzigingen aan de constructie van het toestel of wijzigingen aan componenten die in het toestel worden gebruikt, ertoe zullen leiden dat de garantie en de productaansprakelijkheid vervallen en dat het toestel niet in overeenstemming met de wet te gebruiken is. De op het typeplaatje vermelde goedkeuring zal hierdoor ook ongeldig worden.

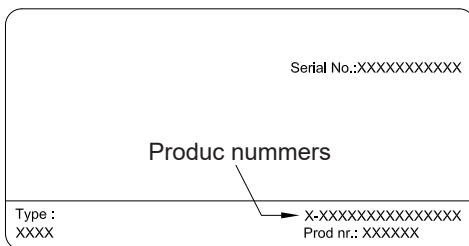
Transportschaden die worden ontdekt door de koper, zullen in de eerste instantie moeten worden geregeld tussen de koper en distributeur, d.w.z. dat de distributeur ervoor dient te zorgen dat dergelijke klachten naar tevredenheid van de klant worden opgelost.

Voordat u technische hulp inroept, wordt u verzocht te controleren of u de fout zelf kunt verhelpen. Indien uw verzoek om hulp ongegrond is, d.w.z. dat het toestel niet werkte vanwege een doorgeslagen zekering of een foutieve bediening, zullen de kosten die ontstaan zijn door uw verzoek om technische bijstand aan u in rekening worden gebracht.

## Reserveonderdelen

Wanneer u reserveonderdelen bestelt, wordt u verzocht de type-, serie- en productnummers van uw toestel te vermelden.

Deze informatie vindt u op het typeplaatje. Het typeplaatje bevat verschillende technische gegevens, waaronder het type- en serienummer.



## Verschroten

**Informatie voor gebruikers betreffende het verzamelen en verwijderen van oude uitrustingen en lege batterijen.**



Deze symbolen op de producten, verpakkingen, en/of begeleidende documenten betekenen dat gebruikte elektrische en elektronische producten en batterijen niet met het algemene huishoudelijke afval gemengd mogen worden. Voor een correcte behandeling, recuperatie en recyclage van oude producten en lege batterijen moeten zij naar de bevoegde verzamelpunten gebracht worden in overeenstemming met uw nationale wetgeving en de Richtlijnen 2002/96/EC en 2006/66/EC.

Door deze producten en batterijen correct te verwijderen draagt u uw steentje bij tot het beschermen van waardevolle middelen en tot de preventie van potentiële negatieve effecten op de gezondheid van de mens en op het milieu die anders door een onvakkundige afvalverwerking zouden kunnen ontstaan.

Voor meer informatie over het verzamelen en recycleren van oude producten en batterijen, gelieve contact op te nemen met uw plaatselijke gemeente, uw afvalverwijderingsdiensten of de winkel waar u de goederen gekocht hebt.

Voor een niet-correcte verwijdering van dit afval kunnen boetes opgelegd worden in overeenstemming met de nationale wetgeving.



**Voor zakengebruikers in de Europese Unie**

Indien u elektrische en elektronische uitrusting wilt verwijderen, neem dan contact op met uw dealer voor meer informatie.

**[Informatie over de verwijdering in andere landen buiten de Europese Unie]**

Deze symbolen zijn enkel geldig in de Europese Unie. Neem wanneer u dit product wilt weggooien, contact op met de lokale overheid of uw leverancier en vraag wat de juiste verwijderingsmethode is.

**Opmerking over het batterijsymbool (beneden twee voorbeelden):**



Dit symbool kan gebruikt worden in verbinding met een chemisch symbool. In dat geval wordt de eis, vastgelegd door de Richtlijn voor de betrokken chemische producten vervuld.





## Attenzione

Poiché l'apparecchio contiene una sostanza refrigerante infiammabile, è indispensabile assicurarsi che non si verifichino danni alle tubazioni del refrigerante.

**La quantità e tipo di refrigerante utilizzata nel vostro apparecchio è indicata sulla targhetta dei dati tecnici.**

Lo standard EN378 stabilisce che il locale in cui verrà installato l'apparecchio deve avere un volume di almeno 1m<sup>3</sup> per ogni 8 g di refrigerante a base di idrocarburi utilizzato negli apparecchi, in modo da prevenire la formazione di miscele infiammabili di gas ed aria nel locale in cui è collocato l'apparecchio in caso di perdite al circuito del refrigerante.

**ATTENZIONE:**  
evitare l'ostruzione delle aperture per la ventilazione sull'involucro dell'apparecchio o sulla struttura interna.

**ATTENZIONE:**  
quando si posiziona l'apparecchio, assicurarsi che il cavo di alimentazione elettrica non sia intrappolato o danneggiato.

**ATTENZIONE:**  
non collocare prese multiple portatili o alimentatori portatili sul retro dell'apparecchio.

**ATTENZIONE:**  
non utilizzare attrezzature meccaniche o mezzi per accelerare il processo di sbrinamento diversi da quelli raccomandati dal fabbricante.

**ATTENZIONE:**  
non provocare danni al sistema del refrigerante.



**ATTENZIONE:**  
non utilizzare apparecchiature elettriche all'interno dello scomparto frigorifero, a meno che siano di tipo omologato dal fabbricante.

**ATTENZIONE:**

evitare di esporre l'apparecchio alla pioggia.

**ATTENZIONE:**

questo apparecchio non è concepito per essere utilizzato da bambini o persone inabili, a meno che siano adeguatamente sorvegliati da una persona responsabile che si assicuri che siano in grado di utilizzare l'apparecchio senza pericoli. Sorvegliare i bambini piccoli in modo da assicurarsi che non giochino con l'apparecchio.

**ATTENZIONE:**

non conservare sostanze esplosive, come bombolette spray con propellenti infiammabili nell'unità.

- In caso di danni al cordone di alimentazione, la sostituzione di quest'ultimo deve sempre essere effettuata dal fabbricante, da un suo addetto alla manutenzione o da simile personale qualificato onde evitare situazioni di pericolo.
  - La formazione di brina sulle parti superiori e sulla parete interna dell'evaporatore è un fenomeno naturale, e pertanto si raccomanda di sbrinare l'apparecchio durante le normali operazioni di pulizia e di manutenzione.
- Tenere sempre le chiavi in un luogo diverso e fuori dalla portata dei bambini.
  - Prima di sottoporre l'apparecchio ad operazioni di manutenzione o di pulizia, togliere la spina dalla presa di corrente o staccare l'alimentazione elettrica.

## Indice

Attenzione.....	2
Impari a conoscere il Suo congelatore a cassone .....	4
Connessioni elettriche .....	5
Dati tecnici .....	5
Installazione e messa in funzione.....	6
Gestione e funzionamento.....	7
Uso.....	8
Sbrinamento .....	9
Pulizia e manutenzione .....	10
Ricerca guasti .....	11
Garanzia, parti di ricambio e assistenza...	12
Smaltimento.....	13

## Prima dell'uso

Prima di mettere in funzione il Suo nuovo apparecchio, legga attentamente le istruzioni qui di seguito, che contengono importanti informazioni riguardo l'installazione, il funzionamento e la manutenzione. Conservi le istruzioni per poterle consultare in futuro.

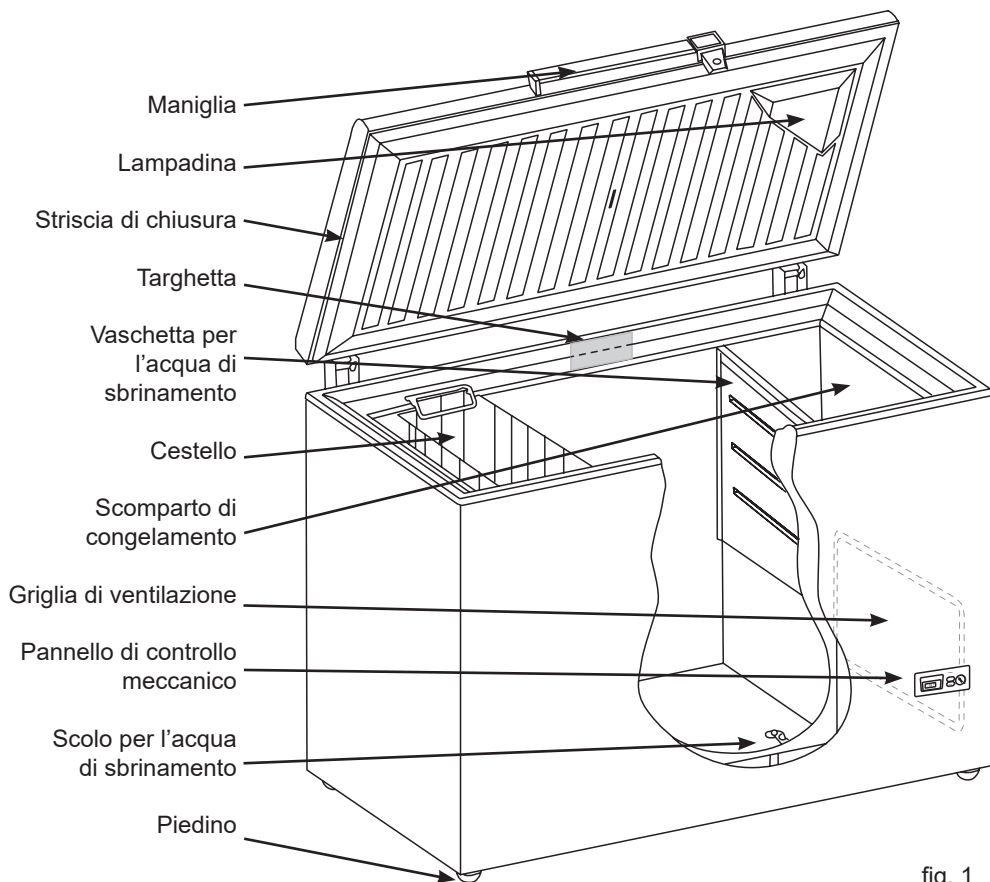
Al momento della ricezione, controlli che l'apparecchiatura non abbia subito danni. Qualsiasi danno dovuto al trasporto dev'essere comunicato al distributore locale prima di mettere in funzione l'apparecchiatura.

Asportazione dell'imballaggio. Pulire l'interno del cassone servendosi di acqua calda con un detergente delicato ed esente da profumi. Sciacquare con acqua pulita ed asciugare completamente (vedi istruzioni per la pulizia). Usare un panno morbido.

Se l'apparecchiatura è stata collocata in un ambiente freddo (temperature inferiori a +5 °C), prima di accenderla è necessario attendere almeno un'ora per permettere che si stabilizzi.

Se durante il trasporto l'apparecchiatura era stata collocata "in piedi", prima di accenderla è necessario lasciarla stabilizzare in posizione normale per circa 12 ore.

# Impari a conoscere il Suo congelatore a cassone



# Installazione e messa in funzione

## Collocazione

Per motivi di sicurezza e di funzionamento, l'apparecchio non deve essere installato in esterni.

L'apparecchio deve essere collocata su una superficie stabile e livellata in un locale secco e ben ventilato (max. 75% di umidità relativa).

Non collocare mai l'apparecchio vicino a fonti di calore quali fornelli o caloriferi, ed evitare di esporlo alla luce diretta del sole.

## Temperatura del locale

La classificazione climatica è indicata sulla targhetta (vedi pag. 12), che specifica la temperatura ottimale del locale.

Classificazione climatica	Temperatura ottimale del locale
SN	+10 °C à +32 °C
N	+16 °C à +32 °C
ST	+16 °C à +38 °C
T	+16 °C à +43 °C

Se la temperatura del locale è sotto zero, l'apparecchiatura non funzionerà correttamente.

## Ventilazione

È importante che l'apparecchio sia ben ventilato e che l'aria possa liberamente circolare sopra, sotto e attorno all'apparecchio stesso. La Figura 2 mostra come assicurare la necessaria circolazione dell'aria.

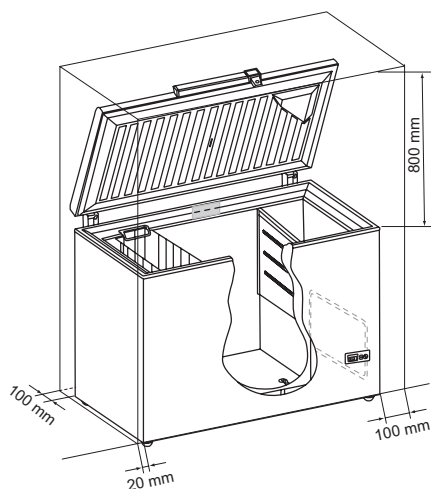


fig. 2

Tra il fondo dell'apparecchio e il pavimento ci deve essere uno spazio libero di almeno 30 mm.

**IMPORTANTE!** Ci deve essere libero accesso alla griglia di ventilazione (fig. 3).

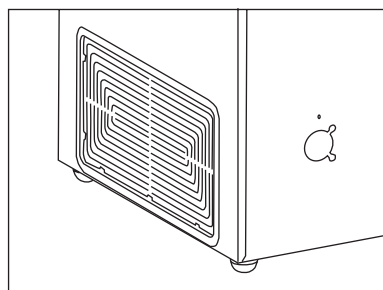


fig. 3

## Dati tecnici

Questo apparecchio è conforme alle pertinenti direttive UE, ivi comprese la Direttiva Bassa Tensione 2014/35/EU e la Direttiva 2014/30/EU relativa alla compatibilità elettromagnetica

La targhetta fissata all'interno dell'apparecchio, fornisce diverse informazioni tecniche nonché tipo e numero di serie.

Collegare l'apparecchio solo a corrente alternata a 220/240 V / 50Hz, tramite una presa installata a norma.

L'impresa deve essere protetta con dispositivo di sicurezza di 10A -13A

La presa per il collegamento dell'apparecchio deve essere liberamente accessibile.

Per gli apparecchi destinati all'uso in paesi non europei, è necessario se la tensione ed il tipo de corrente indicati corrispondono ai valori delle rete elettrica locale

**Dati per la tensione e potenza / corrente, sono indicati sulla targhetta di identificazione.**

In caso di danni al cordone di alimentazione, la sostituzione di quest'ultimo deve sempre essere effettuata dal fabbricante, da un suo addetto alla manutenzione o da simile personale qualificato onde evitare situazioni di pericolo.

Queste informazioni sono riportate sulla targhetta all'interno dell'armadio. La targhetta contiene diverse informazioni di carattere tecnico, ivi compresi i numeri di tipo e di serie.

## Gestione e funzionamento

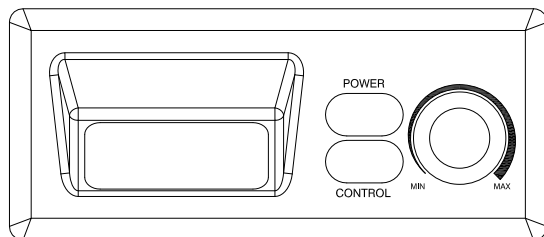


fig. 4

### Controlli meccanici

Oltre a una manopola per il termostato, il pannello di controllo contiene due lampadine-spia e un pulsante (fig. 4). L'aspetto del pannello di controllo e la posizione delle lampadine possono essere differenti.

La spia verde (la parte superiore) è accesa quando l'alimentazione è correttamente collegata.

La spia verde (inferiore) è accesa quando il compressore è in funzione

### Impostazione della temperatura

L'impostazione della temperatura avviene ruotando la manopola del termostato da MIN a MAX. Si consiglia di utilizzare una moneta per ruotare la manopola. Quanto più si ruota la manopola del termostato verso MAX, tanto minore sarà la temperatura. Per controllare se l'impostazione è corretta, misurare la temperatura del prodotto più in alto al centro del congelatore: la temperatura non deve essere superiore a  $-18^{\circ}\text{C}$ .



## Uso

### Congelatore

L'apparecchiatura è un congelatore a quattro stelle omologato per il congelamento e l'immagazzinamento di cibi surgelati.

### Congelamento

Per conservare meglio i cibi, essi devono essere congelati a  $-18^{\circ}\text{C}$  al più presto possibile. La capacità di congelamento del congelatore è indicata sulla targhetta in kg/24 ore (vedi pag. 12).

Devono essere congelati soltanto prodotti freschi e di qualità. Carne, pollame, pesce, verdure, frutta, prodotti caseari e pietanze pronte sono adatti ad essere congelati. I prodotti con un elevato contenuto d'acqua, ad esempio lattuga, ravanelli, uva, mele, pere e cetrioli non sono adatti ad essere congelati.

I cibi da congelare devono essere racchiusi in contenitori a tenuta d'aria, sacchetti per freezer o simili. I prodotti devono essere congelati in porzioni appropriate. Non congelare verdure o carne in porzioni superiori a 2,5 kg.

Mantenere asciutte le confezioni in modo da evitare che si congelino l'una assieme all'altra.

Per assicurare un congelamento rapido, accertarsi nei limiti del possibile che i prodotti collocati nel congelatore non si tocchino l'una con l'altro.

Per evitare che le superfici dei cibi si seccino, assicurarsi inoltre che nelle confezioni vi sia la minima quantità d'aria possibile.

I cibi da congelare devono essere collocati nello scomparto di congelamento o devono essere ripartiti uniformemente lungo le pareti interne del congelatore.

Ricordarsi di scrivere sempre la data, il contenuto e la quantità sulle confezioni prima di collocarle nel congelatore. È buona idea raggruppare i prodotti all'interno del congelatore: tenere la verdura in un posto, la carne in un altro e così via.

**Tra il coperchio e i prodotti conservati nel congelatore ci deve essere uno spazio libero di almeno 5 mm.**

I prodotti collocati nei cestelli sono ben visibili e facilmente accessibili (fig. 5).



fig. 5

### Scongelamento

La frutta e le verdure surgelate non necessitano di scongelamento prima dell'uso, e possono essere immerse in acqua bollente direttamente dal congelatore.

Per sgelare la carne è consigliabile toglierla dal congelatore il giorno prima dell'uso mettendola a scongelare in un frigorifero. Ciò assicura un'igiene ottimale e preserva al massimo la qualità.

**Nota:**

**Le bottiglie di vetro e le lattine contenenti bevande gasate non devono mai essere collocate nel congelatore in quanto potrebbero esplodere.**

## Sbrinamento

I prodotti conservati e l'umidità dell'aria provocano gradualmente la formazione di brina e di ghiaccio nel congelatore. Un sottile strato di brina o di ghiaccio non influisce sulle prestazioni del congelatore, ma quanto più spesso è lo strato, tanto maggiore sarà il consumo di energia. Piccole quantità di brina non ben fisse possono essere tolte utilizzando un raschietto di plastica.

**Non utilizzare mai apparecchiature elettriche o utensili appuntiti, poiché potrebbero danneggiare le parti interne dell'apparecchiatura.**

Quando lo strato di brina e ghiaccio supera i 4-5 mm di spessore, il congelatore deve essere sbrinato completamente. Si raccomanda di effettuare lo sbrinamento quando nel congelatore non ci sono prodotti o quando ve ne sono in numero limitato.

Procedere in questo modo:

1. Staccare l'alimentazione elettrica.
2. Togliere i cibi dal congelatore e collocarli in un frigorifero o avvolgerli in modo da mantenerli il più possibile freddi.
3. Tenere aperto il coperchio del congelatore.
4. Collocare il divisorio sotto allo scolo dell'acqua di sbrinamento.
5. Collocare una scodella d'acqua calda (ma non bollente) nel congelatore, chiudere il coperchio ed attendere circa 30 minuti prima di togliere la brina che si sta staccando con un raschietto di plastica.
6. Per evitare che l'acqua rovini il fondo del congelatore durante lo sbrinamento, è consigliabile controllare di tanto in tanto la vaschetta dell'acqua di sbrinamento e coprire il fondo attorno allo scolo dell'acqua di sbrinamento per proteggerlo

da ghiaccio e spruzzi. Quando tutta la brina e il ghiaccio si sono sciolti, pulire l'interno del cassone utilizzando acqua con un detergente delicato ed esente da profumi. Asciugare il congelatore con un panno morbido.

7. Ricollegare l'alimentazione elettrica.
8. Ricollocare i prodotti nel congelatore circa 5 minuti dopo averlo acceso.

Ricordarsi di reinserire il tappo nello scolo dell'acqua di sbrinamento.

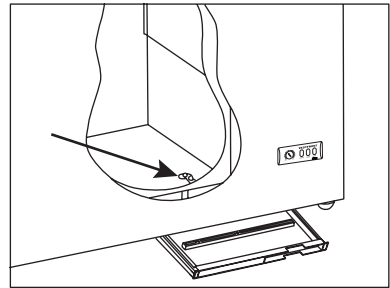


fig. 6

# Pulizia e manutenzione

## Pulizia

Prima di effettuare la pulizia, staccare l'alimentazione elettrica e togliere tutti gli accessori non fissi.

Il miglior modo per pulire il cassone è quello di utilizzare acqua calda (max. 65 °C) con un po' di detergente delicato ed esente da profumi. Non utilizzare mai prodotti detergenti abrasivi. Usare un panno morbido. Sciacquare con acqua calda ed asciugare completamente. È importante evitare che penetri acqua nel pannello di controllo.

La striscia di tenuta attorno al coperchio dev'essere pulita con regolarità per prevenire lo scolorimento e prolungare a vita di servizio. Usare acqua pulita. Dopo aver pulito la striscia di chiusura, controllare che continui a mantenere una tenuta sicura.

La griglia di ventilazione dev'essere mantenuta esente da polvere e sporcizia. Pulirla con un aspirapolvere.

Se l'apparecchiatura non deve essere usata per un certo periodo di tempo, spegnerla, staccarla dall'alimentazione elettrica, vuotarla, pulire il cassone e lasciare aperto il coperchio per permettere la circolazione dell'aria ed evitare cattivi odori.

## Sostituzione della lampadina

1. Staccare l'alimentazione elettrica togliendo la spina dalla presa di corrente.
2. Togliere il coperchio della lampadina premendo l'estremità superiore del coperchio verso il basso per farlo uscire dai due fissaggi (fig. 7).
3. Sostituire la lampadina o le lampadine.
4. Rimontare il coperchio e ricollegare l'alimentazione elettrica.

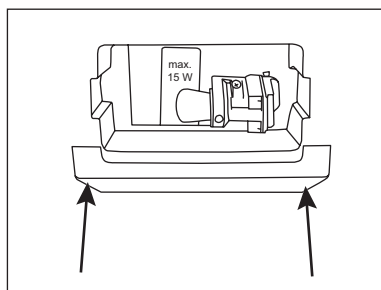


fig. 7

## Come risparmiare energia

- Raffreddare i cibi e le bevande caldi prima di metterli nel congelatore.
- Scongelare i prodotti surgelati in frigorifero.
- Tener chiuso il coperchio per quanto sia possibile.
- Controllare con regolarità che il coperchio chiuda in modo sicuro.
- Collocare il congelatore in un locale fresco (min. 5 °C) e ben ventilato.
- Collocare i prodotti surgelati in un frigorifero mentre si sbrina il congelatore.
- Sbrinare il congelatore prima che lo spessore dello strato di ghiaccio diventi eccessivo.

## Ricerca guasti

<b>GUASTO</b>	<b>POSSIBILE CAUSA</b>	<b>RIMEDIO</b>
Nessuna luce nel display	Non c'è abbastanza luce per il sensore solare.	Accendere la luce.
Nessuna spia è accesa	L'apparecchio è spento  La spina non è inserita nella presa di corrente	Premere il pulsante ON/OFF  Controllare che la spina sia inserita
Vibrazioni o eccessivo rumore dell'apparecchio	L'elettrodomestico non è stato livellato correttamente  L'apparecchio è in contatto con altri mobili o oggetti	Mettere a livello l'elettrodomestico  Rimuovere l'elettrodomestico da eventuali contatti con altri mobili o oggetti
Difficoltà nell'apertura	C'è pressione nel congelatore	Attendere 2-3 minuti e riprovare di nuovo.
Temperatura del congelatore è troppo alta	Riduzione temperatura  La quantità di alimenti all'interno del congelatore è maggiore rispetto alla capacità dello stesso	Regolare la temperatura  Aspettare un paio d'ore e poi ricontrollare la temperatura
Il congelatore produce grandi quantità di ghiaccio	L'umidità dell'aria della stanza è troppo alta  Il cibo all'interno sono rimasti aperti e creano umidità	Ventilare la stanza spesso oppure spostare il congelatore in un'altra stanza  Richiudere in modo corretto gli alimenti
Temperatura del congelatore è troppo bassa	La temperatura è regolata troppo bassa  Il coperchio urta con gli alimenti all'interno del congelatore	Regolare la temperatura più alta  Riposizionare gli alimenti all'interno del congelatore

# Garanzia, parti di ricambio e assistenza

## Limitazioni della garanzia

Difetti e danni direttamente o indirettamente provocati da una gestione non corretta, usi impropri, manutenzione insufficiente, montaggio, installazione o connessioni principali non corretti, fuoco, incidenti, fulmini, variazioni di tensione o altre interferenze di natura elettrica, ivi compresi fusibili difettosi o guasti nelle installazioni principali, riparazioni eseguite da persone che non siano i tecnici dei centri di servizio omologati, nonché qualsiasi altro guasto e danno che il fabbricante possa comprovare sia dovuto a cause diverse da difetti di fabbricazione o di materiale, non sono coperti dalla garanzia.

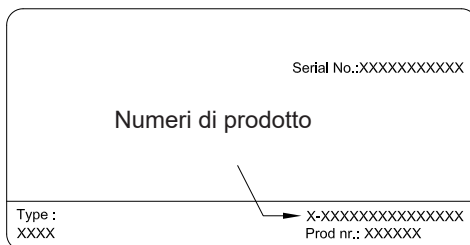
Si tenga presente che in caso di manomissioni nella struttura dell'apparecchio o di modifiche alla componentistica dello stesso, la garanzia e la responsabilità per danno dai prodotti decadono, e l'apparecchio non può essere utilizzato nel rispetto delle leggi. Allo stesso modo, l'omologazione indicata sulla targhetta risulterà invalidata.

I danni dovuti al trasporto scoperti dall'acquirente sono principalmente una questione che va risolta tra l'acquirente ed il distributore, vale a dire che il distributore deve assicurare che tali reclami vengano risolti in modo soddisfacente per il cliente.

Prima di richiedere l'assistenza tecnica, Vi invitiamo a controllare se non siate in grado di risolvere il problema Voi stessi (vedi: Ricerca guasti). Facciamo presente che in caso di richieste di assistenza ingiustificate, ad esempio se l'apparecchio non funziona a causa di un fusibile bruciato o una gestione non corretta, i costi dovuti alla Sua chiamata Le verranno addebitati.

## Parti di ricambio

Quando si devono ordinare delle parti di ricambio, indicare i numeri di prodotto e il tipo, di serie e di produzione del Suo apparecchio. Queste informazioni sono riportate sulla targhetta all'interno dell'armadio. La targhetta contiene diverse informazioni di carattere tecnico, ivi compresi i numeri di tipo e di serie.



Nota: Quando il Suo apparecchio dev'essere riparato o sostituito, si rivolga sempre a centri di assistenza autorizzati!

## Smaltimento

### *Informazioni per gli utenti sulla raccolta e l'eliminazione di vecchie apparecchiature e batterie usate.*



Questi simboli sui prodotti, sull'imballaggio, e/o sulle documentazioni o manuali accompagnanti i prodotti indicano che i prodotti elettrici, elettronici e le batterie usate non devono essere buttati nei rifiuti domestici generici. Per un trattamento adeguato, recupero e riciclaggio di vecchi prodotti e batterie usate, vi preghiamo di portarli negli appositi punti di raccolta, secondo la legislazione vigente nel vostro Paese e le Direttive 2002/96/EC e 2006/66/EC.

Smaltendo correttamente questi prodotti e le batterie, contribuirete a salvare importanti risorse e ad evitare i potenziali effetti negativi sulla salute umana e sull'ambiente che altrimenti potrebbero verificarsi in seguito ad un trattamento inappropriato dei rifiuti.

Per ulteriori informazioni sulla raccolta e sul riciclaggio di vecchi prodotti e batterie, vi preghiamo di contattare il vostro comune, i vostri operatori per lo smaltimento dei rifiuti o il punto vendita dove avete acquistato gli articoli.

Sono previste e potrebbero essere applicate sanzioni qualora questi rifiuti non siano stati smaltiti in modo corretto ed in accordo con la legislazione nazionale.



### **Per utenti commerciali nell'Unione Europea**

Se desiderate eliminare apparecchiature elettriche ed elettroniche, vi preghiamo di contattare il vostro commerciante od il fornitore per maggiori informazioni.

### **[Informazioni sullo smaltimento rifiuti in altri Paesi fuori dall'Unione Europea]**

Questi simboli sono validi solo all'interno dell'Unione Europea. Qualora si desideri smaltire questo prodotto, contattare le autorità locali o il rivenditore e chiedere informazioni sul metodo corretto di smaltimento.



### **Nota per il simbolo delle batterie (esempio con simbolo chimico riportato sotto il simbolo principale):**

Questo simbolo può essere usato in combinazione con un simbolo chimico; in questo caso è conforme ai requisiti indicati dalla Direttiva per il prodotto chimico in questione.



## Advarsel

Da kølemidlet, som anvendes i apparatet, er en brændbar gasart, er det vigtigt at sikre, at kølekredsløb og rør ikke er beskadigede.

**Mængde og type af kølemiddel i apparatet er angivet på typeskiltet.**

Standard EN378 angiver, at rummet hvor apparatet installeres skal have en volumen på 1 m<sup>3</sup> pr. 8 g kulbrinte kølemiddel, der er brugt i apparatet. Dette er for at undgå dannelse af brandfarlige gas-/luftblandinger i rummet, hvis der skulle opstå en utæthed i kølekredsløbet.

### **ADVARSEL:**

Lad ventilationsåbninger, i apparatets kabinet og i eventuelt indbygningsmodul, være utildækkede.

### **ADVARSEL:**

Anvend ikke mekaniske apparater eller andre hjælpemidler til at fremskynde afrimningsprocessen, udover dem som er anbefalet af fabrikanten.

### **ADVARSEL:**

Undgå at beskadige kølemiddel-systemet



### **ADVARSEL:**

Anvend ikke elektriske apparater inde i apparatet, medmindre de er af en type som er anbefalet af fabrikanten.

### **ADVARSEL:**

Apparatet må ikke udsættes for regn.

### **ADVARSEL:**

Dette apparat er ikke beregnet til at blive anvendt af børn, medmindre det er blevet tilstrækkeligt kontrolleret af en ansvarlig person, sådan at apparatet kan anvendes forsvarligt. Børn skal være under opsyn for at sikre at de ikke leger med apparatet.



**ADVARSEL:**

Opbevar ikke eksplosive stoffer såsom spraydåser med en brændbar drivgas i dette apparat.

**ADVARSEL:**

Når apparatet sættes i positionering, sørg for at netledningen ikke er fastklemmt eller beskadiget.

**ADVARSEL:**

Placer ikke forbindelsesbokse, forlængerledninger eller andre strømforsyninger på bagsiden af enheden.

**ADVARSEL:**

Rengøring og vedligeholdelse af apparatet, må ikke foretages af børn uden opsyn.

- Hvis netledningen er beskadiget, skal den udskiftes af producenten, producentens serviceagent eller anden fagmand for at undgå fare.
  - Dannelse af rim på den indvendige fordamperplade og de øverste dele er normalt. Apparatet skal derfor afrimes i forbindelse med almindelig rengøring eller vedligeholdelse.
  - Vær opmærksom på at ændringer i apparatets konstruktion vil medføre, at al garanti og produktansvar bortfalder.
- Opbevar altid nøgler et separat sted utilgængeligt for børn.
  - Træk stikket ud af stikkontakten før reparation eller rengøring af apparatet.

## Indhold

Advarsel.....	2
Lær fryseboksen at kende .....	4
Ibrugtagning og installation.....	5
El tilslutning .....	6
Tekniske data.....	6
Betjening og funktion .....	7
Anvendelse.....	8
Afrimning .....	9
Rengøring og vedligeholdelse .....	10
Fejlfindingsliste .....	11
Reklamation, reservedele og service .....	12
Bortskaffelse .....	13

## Inden brug

Inden du anvender dit nye apparat bør du læse brugsanvisningen grundigt. Brugsanvisningen indeholder vigtige informationer vedrørende sikkerhed, installation, drift og vedligeholdelse. Gem brugsanvisningen. Du kan få brug for den på et senere tidspunkt.

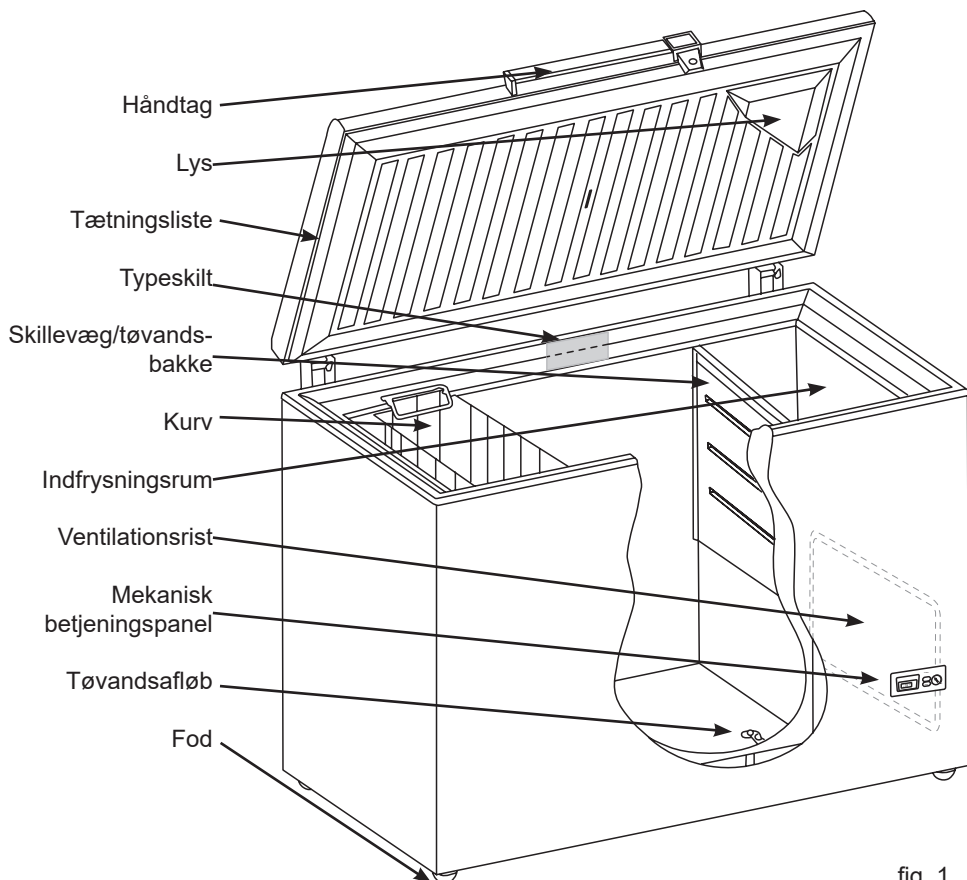
Kontroller at apparatet ikke er beskadiget ved modtagelsen. Transportskader skal anmeldes til forhandleren inden fryseboksen tages i brug.

Fjern emballagen. Rengør apparatet indvendigt med lunken vand tilsat et mildt uparfumeret opvaskemiddel. Afvask med rent vand og tør grundigt af (se rengøring). Brug en blød klud.

Hvis fryseren har stået på lager i kolde omgivelser (koldere end +5°C), skal den have en hvileperiode på mindst 1 time, inden den tages i brug.

Hvis fryseren har været transporteret på højkant bør den stå i normal stilling i ca. et halvt døgn før den tilsluttes.

# Lær fryseboksen at kende



## Tekniske data

Ledninger og forbindelser til strømforsyningssystemer skal være i overensstemmelse med gældende lokale og nationale standarder og love.

Denne enhed overholder de relevante EU-direktiver, herunder Lavspændingsdirektivet 2014/35/EU - Elektromagnetisk kompatibilitet direktiv 2014/30/EU

Stikket skal være frit tilgængelig.

Tilslut kun apparatet til 220/240 V / 50Hz vekselstrøm via en korrekt installeret stikkontakt med jordforbindelse.

Stikkontakten skal være sikret med en 10A - 13 A sikring

Hvis apparatet skal betjenes i et ikke-europæisk land, tjek på typeskiltet, om anført spænding og strøm svarer til værdierne i din netspænding.

**Oplysninger om spænding og effekt / strøm er angivet på typeskiltet.**

Netledningen må kun udskiftes af en autoriseret person

Typeskiltet indeholder forskellige tekniske oplysninger, samt type og serienummer.

# Ibrugtagning og installation

## Placering

Af sikkerhedsmæssige og driftsmæssige grunde må apparatet ikke placeres uden-dørs.

Stil fryseboksen på et plant, vandret og stabilt underlag i et tørt og godt ventileret rum (max. 75% relativ luftfugtighed).

Anbring ikke fryseboksen tæt på varmekilder såsom komfur eller radiator og undgå at det udsættes for direkte sollys eller varme fra anden varmekilde.

## Rumtemperaturen

Klimaklassen står på typeskiltet (se side 12). Den angiver indenfor hvilke rumtemperaturer fryseboksen kører optimalt.

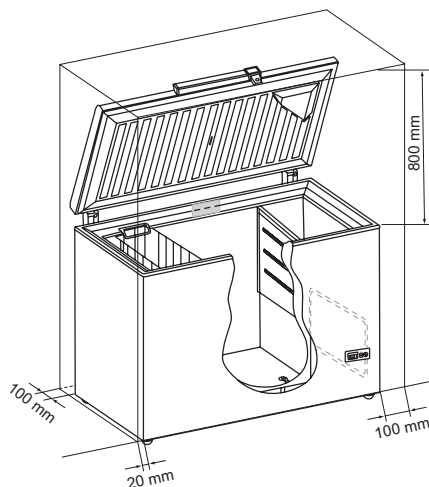


fig. 2

Mellem fryserens bund og gulvet skal der være et mellemrum på 30 mm.

**VIGTIGT!** Der skal være fri adgang til ventilationsristen (fig. 3)..

Klimaklasse	Tilladt rumtemperatur
SN	+10 °C à +32 °C
N	+16 °C à +32 °C
ST	+18 °C à +38 °C
T	+18 °C à +43 °C

Hvis rumtemperaturen er under frysepunktet vil fryseren ikke fungere normalt.

## Ventilation

Det er vigtigt, at apparatet får tilstrækkelig ventilation og at der er uhindret luftcirkulation over, under og omkring det. Figur 2 viser, hvordan du sikrer den nødvendige cirkulation omkring fryseren.

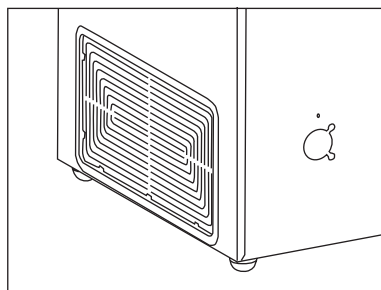


fig. 3

## Betjening og funktion

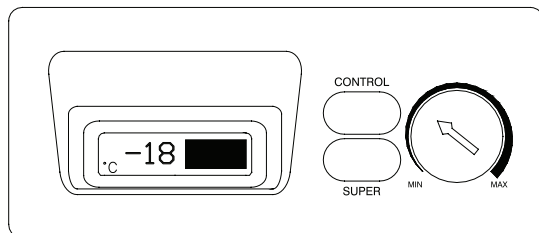


fig. 4

### Mekanisk styring

Kontrolpanelet omfatter foruden termostatknappen (fig. 4) en kontrollampe og en kontakt. Der kan forekomme mindre variationer i panelernes design og lampernes indbyrdes placering.

Den grønne lampe (over) lyser, når strømtilførslen er i orden.

Den grønne lampe (nederste) lyser, når kompressoren kører.

### Temperaturindstilling

Temperaturen indstilles ved at dreje termostatknappen fra MIN til MAX. Det anbefales at anvende en mønt. Jo nærmere termostatknappen drejes mod MAX, jo lavere bliver temperaturen. Den rigtige indstilling findes ved at måle temperaturen på den øverste pakke midt i fryseren.

Den bør ikke være varmere end -18 °C.

# Anvendelse

## Fryseren

Fryseboksen er en 4-stjernet fryser, som er godkendt til indfrysning og opbevaring af fødevarer.

## Indfrysning

For at bevare varernes kvalitet skal de fryses ned til  $-18^{\circ}\text{C}$  hurtigst muligt.

Fryserens indfrysningskapacitet er angivet på typeskiltet i kg/24 timer (se side 12).

Anvend kun friske fødevarer af god kvalitet.

Kød, fjerkræ, fisk, grøntsager, frugt, mælkeprodukter og tilberedt mad egner sig til indfrysning. Madvarer med højt fugtindhold såsom salat, radiser, grape, hele æbler, agurk og pærer egner sig ikke til indfrysning.

Pak varerne i lufttætte beholdere, fryseposer eller lignende. Sørg for at portionerne har en praktisk størrelse. Frys ikke grøntsager eller kød ned i portioner, der er større end 2,5 kg. Hold pakkerne tørre, så de ikke fryser sammen. Læg varerne så de, så vidt muligt, ikke rører ved hinanden, så går indfrysningen hurtigere. Tryk luften ud af pakkerne, så undgår man at varerne tørrer ud på ydersiden.

Varer der skal indfryses bør placeres i indfrysningsrummet eller jævnt langs fryserens indervægge.

Husk altid at skrive indhold, mængde og dato på varen. Det er en fordel at dele madvarerne op i "kategorier". Det vil sige at grøntsager samles et sted, kød et andet sted og så videre.

**Fødevarerne må ikke stables højere end 5 mm under lågpannen.**

Fødevarer som opbevares i kurvene er synlige og nemt tilgængelige (fig. 5).



fig. 5

## Optøning

Frosne grøntsager og frugt skal ikke optøes før brug, men kommes direkte i kogende vand.

Når kød optøes, er det en fordel at tage det ud dagen før tilberedningen og lægge det i køleskabet. Det giver den bedste hygiejne og kødets kvalitet bevares bedst muligt.

### Note:

**Glasflasker og dåser med væske der indeholder kulsyre må ikke nedfryses, da disse kan springe.**

## Afrimning

Varene og fugtigheden i luften forårsager efterhånden rim- og isdannelse i boksen. Et tyndt lag rim eller is nedsætter ikke fryserens funktion, men jo tykkere belægningen er, desto højere bliver energiforbruget. Lidt løst rim kan skrubes af med en plastikskraber.

**Brug aldrig elektriske apparater eller skarpe genstande, da det kan beskadige de indvendige dele i apparatet.**

Når rim- og isdannelsen er 4-5 mm tyk skal fryseren afrimes. Det anbefales at afrime fryseren når der er få eller ingen varer i fryseren.

Gå frem på følgende måde:

1. Afbryd strømmen.
2. Tag madvarerne ud. Opbevar dem i køleskabet eller godt indpakket, således at optøning begrænses mest muligt.
3. Lad låget stå åben.
4. Placer skillevæggen under tøvandsudløbet.
5. Sæt en skål med varmt vand (ikke kogende) i fryseren, luk låget og vent ca. 30 minutter, hvorefter rimlaget fjernes med plastikskraber.
6. For at undgå vand på gulvet under optøningsprocessen, skal man holde opsyn med tøvandsbakken. Man bør afdække gulvet omkring tøvandsafløbet for at beskytte imod is og vandstænk. Når isen er smeltet, gøres fryseren ren med en svag opløsning af vand og uparfumeret opvaskemiddel. Tør af med en blød klud.
7. Tilslut strømmen. Er der mange varer, der skal lægges tilbage i fryseren kan superfrys knappen slås til.
8. Varene kan lægges ind i apparatet igen ca. 5 minutter efter at der er tændt for det.

Husk at sætte proppen i tøvandsafløbet igen.

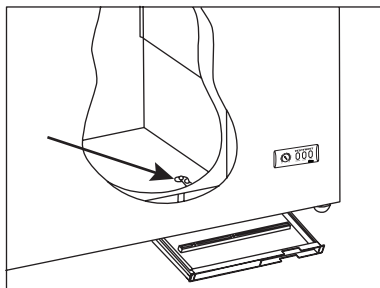


fig. 6



# Rengøring og vedligeholdelse

## Rengøring

Inden rengøring skal stikproppen tages ud og alt løst tilbehør fjernes.

Fryseboksen rengøres bedst med en opløsning af lunkent vand tilsat lidt uparfumeret opvaskemiddel (max. 85 °C). Anvend ikke rengøringsmidler der kan ridse. Brug en blød klud. Vask efter med rent vand og tør grundigt af. Undgå at der kommer vand ind i betjeningspanelet.

Tætningslisten rundt ved låget kræver jævnlig rengøring for at undgå misfarvning og sikre lang holdbarhed. Brug rent vand. Efter rengøring af lågets tætningsliste bør du kontrollere om den fortsat slutter tæt.

Ventillationsristen skal holdes fri for snavs og skidt. Rengøres med støvsuger.

Er man bortrejst i længere tid, afbryd strømmen og tag stikket ud, tøm og rengør fryseboksen og lad låget stå åbent, for at undgå lugtgener.

## Udskiftning af pære

1. Afbryd strømmen ved kontakten og tag stikket ud.
2. Afmonter lysskærmen (fig. 7). Klem lysskærmen sammen, så lysskærmen løsnes fra de to klips.
3. Udskift lyspæren(e).
4. Monter lysskærmen og tilslut strømmen.

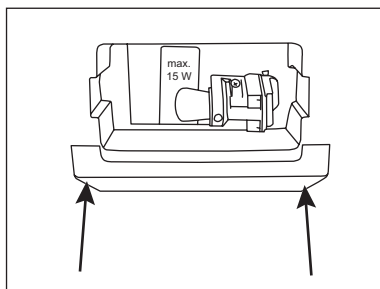


fig. 7

## Spar energi

- nedkøl varm mad og drikke inden de kommer i fryseren.
- lad frosne varer tø op i køleskabet.
- hold låget lukket så meget som muligt.
- jævnligt kontrollér at låget lukker tæt
- indstaller fryseren i et køligt (min. 5°C) og godt ventileret rum.
- kom frosne fødevarer ind i køleskabets fryseren afrites.
- afrim fryseren inden islaget bliver for tykt.

## Fejlfindingsliste

Fejl	Mulig årsag	Afhjælpning
Ingen lys i displayet	Der er ikke lys nok til Solar censoren	Tænd for lyset.
Ingen kontrollamper lyser.	Apparatet er slukket. Strømsvigt; sikringen er slået fra; netstikket er ikke sat rigtigt i.	Kontrollér stik og kontakt. Kontrollér om strømmen er tilsluttet. Sikringen skal være slået til.
Temperaturen i fryserummet er for høj.	Ventilationsristen er blokeret. Fryserens låg er ikke lukket rigtigt. Der er lagt flere frysevarer i på én gang end fryseren har kapacitet til. Kraftig rim og islag. Termostat er indstillet for varmt.	Sørg for at der er uhindret luftcirkulation. Luk låget og vent et par timer. Vent et par timer. Afrim fryseren. Indstil termostat til koldere position.
Temperaturen i fryseren er for lav.	Termostaten er indstillet for koldt. Låget støder mod varer i fryseren.	Indstil termostat til varmere position. Flyt rundt på varerne og kontrollér at låget kan lukke rigtigt.
Fryseren rimer kraftigt.	Rummet er meget fugtigt. Fugtafgivelse fra varerne.	Luft hyppigt ud eller flyt fryseren til et rum med mindre fugt. Ompak varerne.
Låget kan ikke åbnes.	Undertryk i fryseren.	Vent 2-3 minutter indtil undertrykket er forsvundet og prøv igen.
Vibrationer og ualmindelig støj.	Apparatet står ikke på en plan flade. Apparatet er ikke fritstående. Kurve eller skillevæg er løse.	Placer fryseboksen på et plant vandret og stabilt underlag. Flyt apparatet væk fra møbler eller andre apparater. Kontrollér de flytbare dele og monter dem igen.

# Reklamation, reservedele og service

## Reklamationsretten

Såfremt der konstateres fejl ved produktet, kan De over for leverandøren gøre brug af reklamationsretten ifølge gældende lovgivning. Producenten skal for egen regning afhjælpe fabrikations- og materialefejl, der konstateres ved apparatets normale brug under forudsætning af, at apparatet er købt som fabriksnyt i Danmark. For Grønland og Færøerne gælder særlige bestemmelser.

Såfremt det skønnes nødvendigt at apparatet indsendes til værksted, sker indsendelse og returnering for producentens regning og risiko.

Der er ikke dækning for fejl eller skader direkte eller indirekte opstået ved fejlbetjening, misbrug, mangelfuld vedligeholdelse, forkert indbygning, opstilling eller tilslutning. Det samme gælder for brand, ulykke, lynnedslag, spændingsvariationer eller andre elektriske forstyrrelser som f.eks. defekte sikringer eller fejl i forsyningsnettets elektriske installationer.

Reparationer udført af andre end de anviste reparatører, og i det hele taget fejl og skader, som leverandøren kan godtgøre skyldes andre årsager end fabrikations- og materialefejl, er ikke omfattet af reklamationsretten.

Vær opmærksom på, at ved indgreb i apparatets opbygning, og ved ændring af apparatets komponentbestykning bortfalder garanti og produktansvar og apparatet kan ikke lovligt anvendes. Godkendelse anført på mærkeskilt er ligeledes ugyldig.

Transportskader, der konstateres hos forbrugeren, er primært en sag mellem forbruger og forhandler, dvs. forhandler må drage

omsorg for, at forbrugeren stilles tilfreds, inden du tilkalder serviceassistance, bedes du kontrollere de fejlmuligheder, du selv kan afhjælpe. (Se fejlfindingslisten)

Såfremt dit krav om afhjælpning er uberegtiget, eksempelvis hvis apparatets svigt skyldes en sprunget sikring eller en fejlbetjening, må du selv betale de omkostninger, der er forbundet med at have tilkaldt serviceassistance.

## Reservedele

Angiv venligst type- og serienummer samt produkt nummer, når du bestiller reservedele.

Disse oplysninger finder du på typeskiltet. Typeskiltet indeholder forskellige tekniske oplysninger, samt type- og serienummer. Husk altid at bruge autoriserede håndværkere, hvis der er noget der skal repareres eller udskiftes!

The diagram shows a rectangular label with rounded corners. At the top right, it says "Serial No.:XXXXXXXXXXXX". In the center, it says "Produkt nummer". At the bottom left, it says "Type : XXXX". At the bottom right, it says "X-XXXXXXXXXXXXXXXXX Prod nr.: XXXXXX". An arrow points from the text "Produkt nummer" to the "X-XXXXXXXXXXXXXXXXX" part of the bottom right label.

## Bortskaffelse

### *Brugerinformation om indsamling og bortskaffelse af elektriskrot og brugte batterier*



Disse symboler på produkter, emballage og/eller ledsagedokumenter betyder, at brugte elektriske og elektroniske produkter og batterier ikke må smides ud som almindeligt husholdningsaffald. Sådanne gamle produkter og batterier skal indleveres til behandling, genvinding resp. recycling i henhold til gældende nationale bestemmelser samt direktiverne 2002/96/EF og 2006/66/EF.

Ved at bortskaffe sådanne produkter og batterier på korrekt vis hjælper du med til at beskytte værdifulde ressourcer og imødegå de negative påvirkninger af det menneskelige helbred og miljøet, som vil kunne være følgen af usagkyndig affaldsbehandling.

Ønsker du mere udførlig information om indsamling og recycling af gamle produkter og batterier, kan du henvende dig til din kommune, deponeringselskabet eller stedet, hvor du har købt produkterne.

Usagkyndig bortskaffelse af elektriskrot og batterier kan eventuelt udløse bødeforlæg.



### **For kommercielle brugere i Den Europæiske Union**

Når du ønsker at kassere elektriske eller elektroniske apparater, bedes du henvende dig til din forhandler eller leverandør for nærmere information.

### **[Information om bortskaffelse i lande uden for Den Europæiske Union]**

Disse symboler gælder kun inden for Den Europæiske Union. Hvis du ønsker at afhænde dette produkt, skal du rette henvendelse til de lokale myndigheder eller din forhandler. Her kan du få oplysninger om, hvordan du bedst kommer af med produktet.

### **Information om batterisymbol (to eksempler nedenfor):**



Dette symbol kan optræde sammen med et kemisk symbol. I så fald opfylder det kravene for det direktiv, som er blevet fastlagt for det pågældende kemikalie.







GB Reserves the right to alter specifications without prior notice.

DE Recht auf Änderungen vorbehalten

IT Si riserva il diritto di modificare le specifiche senza comunicazioni preliminari.

NL Recht tot wijzigingen voorbehouden

CZ Si vyhrazuje právo na změnu specifikací bez předchozího uvědomění.

DK Ret til ændringer forbeholdes