

1/1 Gastronorm Refrigerated Counters

700mm Depth

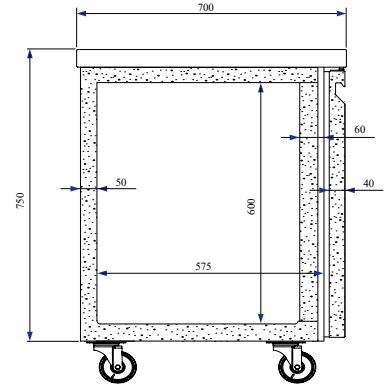
PN99-ECO



PN999-ECO



PN9999-ECO



FEATURES

High grade AISI 304 stainless steel exterior & interior, including back

1 x GN1/1 shelf per door, shelf size 530 x 325mm

Internal corners rounded for easy cleaning

Castors as standard

Replaceable door gasket

Self closing doors

Epoxy coated evaporator to resist corrosion

TECHNICAL SPECIFICATIONS

Controller:	Digital controller with temperature display
Cooling:	Ventilated
Defrost:	Automatic
Refrigerant:	R134a
Climate Class:	5
Temperature Range:	+1°C ~ +10°C
Decibels:	61dBA
Power Supply:	13amp

MODEL	DOOR	GROSS CAPACITY	EXT. DIMENSIONS (H x W x D mm)	ENERGY RATING	POWER CONSUMPTION	KWH /ANNUM	WEIGHT (kg)	RRP
PN99-ECO	2	274L	890 x 1345 x 700	D	351W	1168	121	
PN999-ECO	3	429L	890 x 1790 x 700	D	351W	1533	150	
PN9999-ECO	4	583L	890 x 2240 x 700	D	440W	1715	180	
Factory fitted drawer options (2 drawers)				-	-	-	-	



See page 9 for full GN container range

