

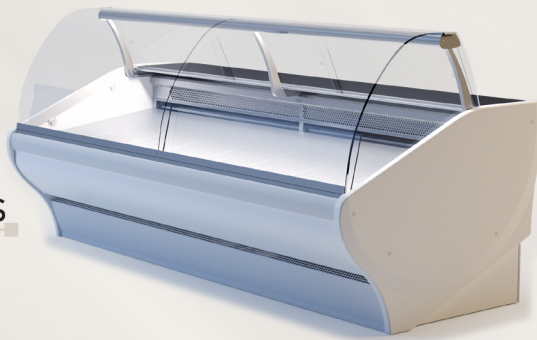


DWM

WHOLESALE REFRIGERATION & CATERING EQUIPMENT

PRODUCT GUIDE

SERVE OVER COUNTERS



PATISSERIE DISPLAYS

PIZZA PREP COUNTERS



2022



About Us

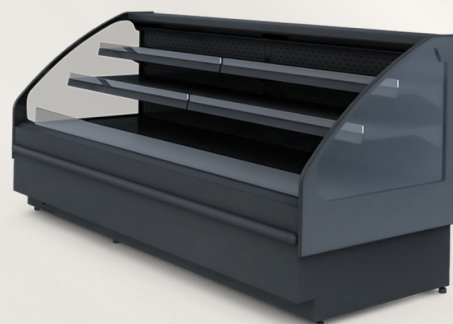
DWM-UK was formed in 2001 with the help of over many years' experience that its founding directors possess in the hospitality sector which include manufacturing and wholesale distribution of industrial catering equipment thus enjoying an unprecedented growth in both turnover and market share in such a short time. The growth in the company is so visible with the company increasing in size every year in turnover, with new products introduced all the time our market share is increasing faster and faster. We have enjoyed year on year growth in our volume and market share. The primary factors that have contributed to this success are: Product reliability, fast efficient service support, customer responsive sales support and high level of customer loyalty.

As your first-choice supplier of catering equipment you can expect a first-class service, from initial enquiry to delivery of goods and after sales support. Our vast stock profile includes a choice of over 2000 lines and our friendly and knowledgeable staff are here to help make your total purchase experience easy, effective and exceptional. We offer you the widest choice of products and leading brands with delivery direct to your own warehouse or direct to your customer.

We have been at the forefront of the commercial refrigeration and catering equipment industry in the UK for over 10 years importing leading brands from around the world; we continue to lead the market in innovation and customer service.

Our product range of quality cabinets offers a wide diversity of options. Whatever your need, we feel certain that we can supply it.

DWM-UK has succeeded in this industry because



we have anticipated market trends and, in some cases, helped create them. Our goal to achieve total customer satisfaction is evident in our ability to work with leading international manufacturers to source and develop new and innovative products.

We do not compete with our distributors - We work alongside them to secure and improve business in a mutually beneficial relationship.

We are based in Leeds in the North of England in our state-of-the-art new warehouse close to the national motorway network for easy access to M62 and M1 with hassle-free distribution to most postcodes throughout mainland in the UK and Ireland.

CUBE 2

A COMPLETE LINE
OF UNITS FOR YOUR
CONFECTIONERY

[MORE](#)



5 LINES

OF CONFECTIONERY
AND BAKERY EQUIPMENT

WE HAVE AS MANY AS 5 LINES
OF CONFECTIONERY AND
BAKERY EQUIPMENT



PASTELLA

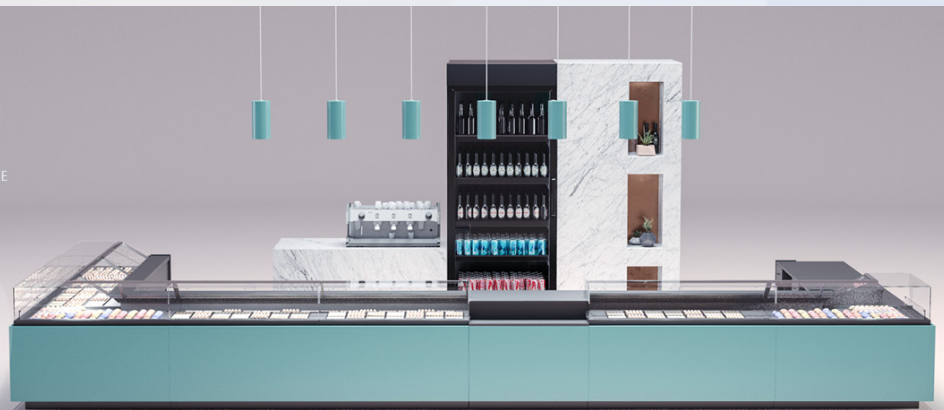
THE PASTELLA CABINET LINE
HAS BEEN DESIGNED WITH MODERN
SALES CONCEPTS IN MIND

[MORE](#)

PARIS

DISPLAY CASES FOR
CONFECTIONERY AND MORE

[MORE](#)



INNOVA

INNOVA IS A SERIES OF PASTRY
DISPLAY COUNTERS PRODUCED
BY IGLOO COMPANY AND THE
FIRST LINE OF PRODUCTS WHERE
AN INNOVATIVE SYSTEM OF
WITH DRAWABLE FRONT GLASS
HAS BEEN USED

[MORE](#)

CUBE

THE CUBE REPRESENTS
AN ELEGANT AND MODERN
FORM OF DESIGN

[MORE](#)



DWM Index

Product	Page
SERVEOVER COUNTERS (HOT/COLD)	
Pico	1
Pico Meat	2
Pico Deep	3
Pico Counter	4
Monica/Rota	5
Monica/Rota Meat	6
Monica/Rota Deep	7
Monica/Rota Counter	8
Sumba	9
Luzon	10
Luzon Deep Meat	11
Luzon Meat	12
Luzon Deep	13
Luzon Counter	14
Basia/Tobi Neo	NEW 15
Basia/Tobi Meat Neo	NEW 16
Basia/Tobi	17
Basia/Tobi Meat	18
Basia/Tobi Counter	NEW 19
Basia Gastro	NEW 20
Basia Bemar	NEW 21
Basia Fish	NEW 22
Samos	23
Samos Meat	24
Samos Deep	25
Samos Counter	26
Santiago	27
Casia	28
Casia Hot	29
Ibiza	30
PATISERIE DISPLAY CABINETS	
Innova	31
Innova Counter	32-33
Gastroline Cube	34
Gastroline Cube Hot	35
Cube	36
Cube Ambient	37
Cube Hot	38
Cube 2 Bake	NEW 39
Cube 2 Hot	NEW 40
Cube 2 Cold	NEW 41
Cube 2 Ambient	NEW 42
Cube 2 Open	NEW 43
Pastella Sweet & Neutral	NEW 44
Pastella W	NEW 45
Pastella PG (Hot)	NEW 46

Product	Page
Pastella N & NZ90	NEW 47
Pastella Bake Neutral	NEW 48
Kameleo	49
Kameleo Counter	50
Jamaica Stainless Steel	51
Jamaica Wood	52
Jamaica Trend	53
Jamaica Open	54
Lada Jamaica	55
Jamaica Corner	56
Jamaica Hot	57
Beta	58
Innova Cake Display	59
Innova	60
COURTYARD RANGE	
Petro	61
Petro Open	62
Petro Select NZ	63
Proxima Slim Open	NEW 64
Proxima Slim Hot Open	NEW 65
Innova Hot + Innova Bemar	NEW 66
Luna	NEW 67
Petro Select	68
BUFFET DISPLAYS	
Gastroline Hot/Cold	69
Gastroline Open	70
Gastroline Checkout Counter	71
DROP IN COUNTERS	
Drop in Counter	72
TABLE TOP DISPLAY & PREP UNITS	
Ambient Counter Top Displays	73
Tatiana	74
Celina Hot/Cold	75
Chicken Display	76
VRX Counter Top GN Topping Units	77
ICE CREAM COUNTERS	
Kameleo Ice	78
Innova Ice	79
Innova Deep Ice	NEW 80
Cube 2 Ice/ Cube 2 Ice Deep	NEW 81
Adria Ice	NEW 82
Aruba	83
Gelatti	84
Gelato 2/Gelato 2 MOD/A	NEW 85
Icecraft	NEW 86
CHEST FREEZERS	
D500/D400 Range	87

DWM Index

Product	Page
SUPERMARKET MULTIDECKS	
Timor	88
Rodos	89
Paros	90
Bali	91
King AT	NEW 92
King AT M	NEW 93
BACK BAR COOLERS	
Back Bar Cooler	94
GLASS/SOLID DOOR FRIDGE/FREEZERS	
VIZ900SCDD	95
VIZ Visicoolers	96
Visicooler Solid Door Fridges	97
Visicooler Solid Door Freezer	98
STAINLESS STEEL FRIDGE/FREEZERS	
Compact Pizza Counter	NEW 99
PS Pizza Counters	100
Compact Saladettes	101
SH Pizza Counters	102
PZ2600/3600 Pizza Counters	103
Compact Gastro	104
GN Under Counter Fridges	105
GN Under Counter Freezers	106
Curved Glass Saladette	107
S/S To Saladette Counter	108
GN Single Door Fridge/Freezer	109
GN Double Door Fridge/Freezer	110
GN Fish Fridge	111
FOOD PREP EQUIPMENT	
Mincers	112
Master Dough Mixers	113
Spiral Dough Mixers	114
Dough Rollers	115
Meat Slicers	116
Veg Shredder	116
COOKING EQUIPMENT	
Electric Pizza Ovens	117 - 118
Lincoln Impinger	119
Texas Gas Water Grill	120
Gas Fryer	NEW 121
Gas Pipe	121
American Style Chargrill	NEW 122
Gas Cooker	NEW 122
Kechi Griddle	123

Product	Page
GLASS/DISH WASHERS	
Glass Washers	124
Dish Washers	125
BLUESEAL	
Blueseal	126-129
LINCAT	
Lincat	130
SMALLWARE	
Pizza Pans	131
Dough Trays	NEW 132
Gastronorm Containers	133
Pizza Bags	134
Notes	135



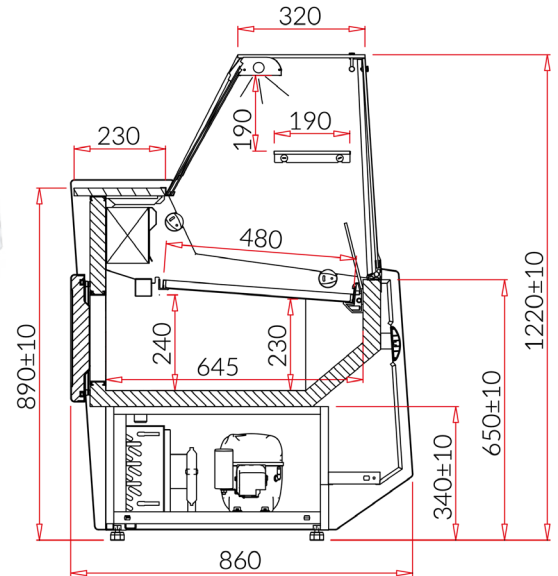
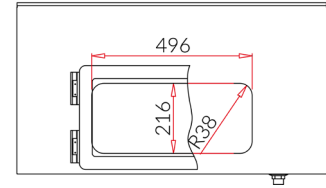
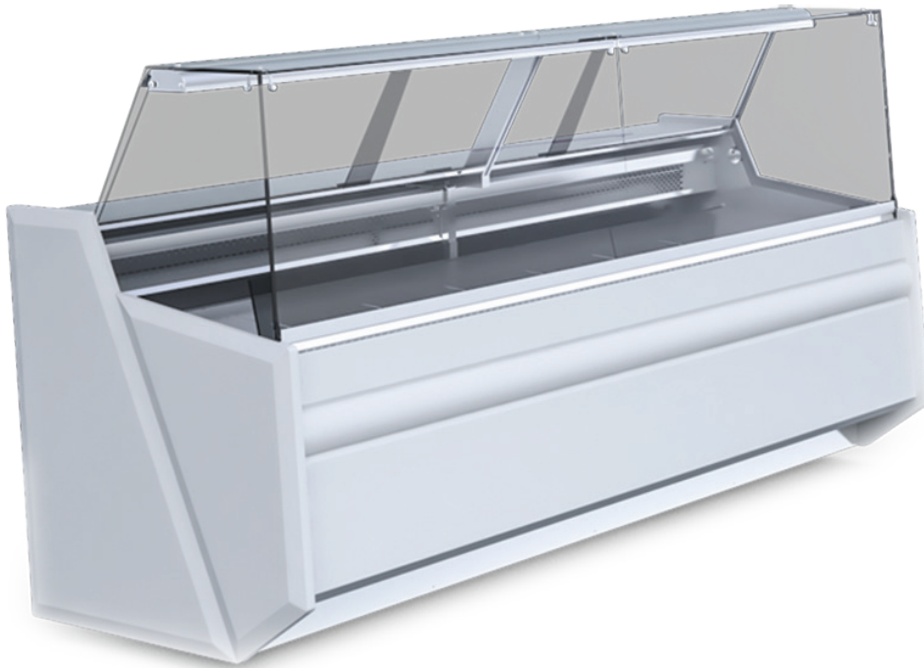
Pico

Serve Over Counter

**2 years
parts
warranty**



+1/+10



Up to 1.5m have one under storage door, 1.7m and above have 2 under storage doors. The under storage door dimensions are W560 x H310mm (understorage opening dimensions are W500 x H220mm)

Standard Features:

- Static cooling
- 13 AMP supply
- Electronic temperature controller with digital display
- Exterior powder coated white paint with coloured trim
- Stainless steel worktop
- White LED lighting
- Auto defrost
- Straight front glass
- Compressor on built in rails for easy servicing
- Refrigerated under storage
- Ambient intermediate glass shelf
- ABS side panels
- Display decking white powder painted steel
- Display decking depth 480
- Rear sliding perspex doors
- Front glass defogger
- Different colour options available (P.O.A)
- Suitable for use in ambient temp. up to 25°C & 65%RH
- Condensor or fan failure alarm

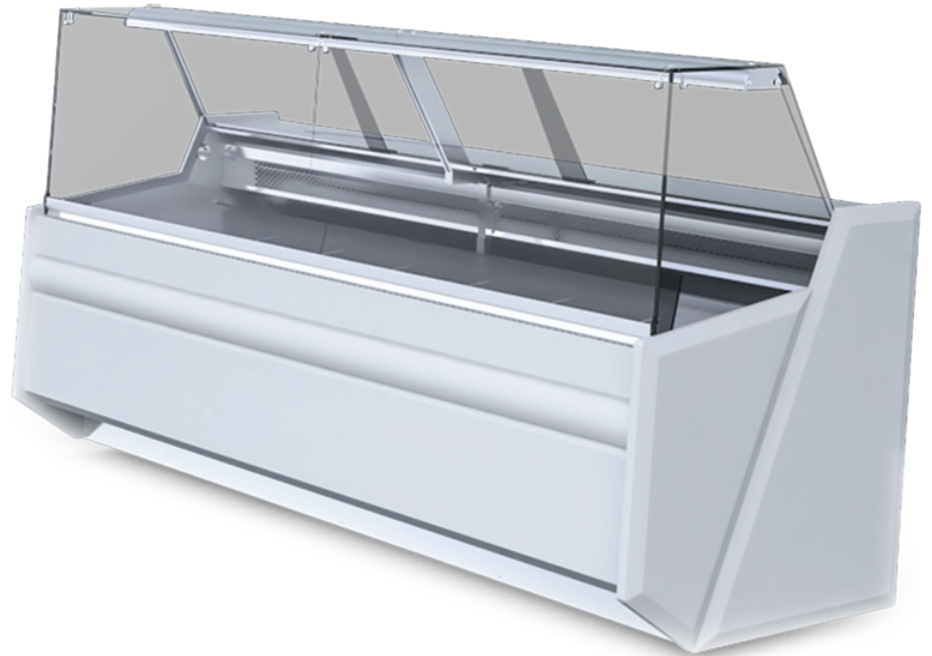
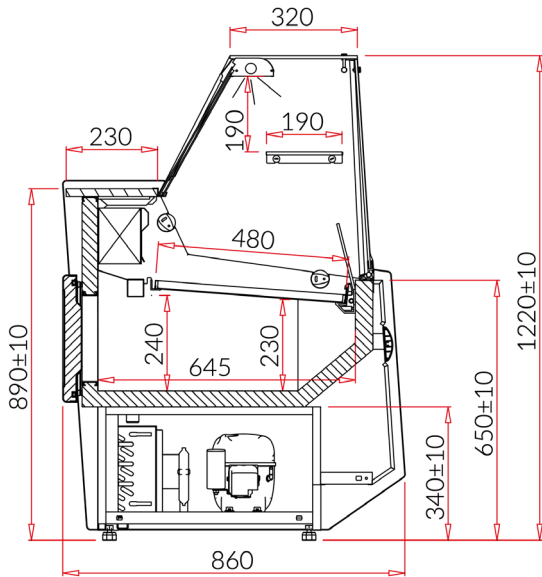
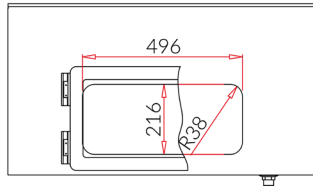
Model	Width (mm)	Height (mm)	Depth (mm)	Temp Range (°C)	Power (w)	Weight (kg)	Voltage	Energy Consumption	Refrigerant	Auto Defrost	RRP
MO200	1060	1220+/-10	860	+1/+10	287	110	230/50HZ	4.0 (kWh/24h)	R290	Yes	£3144
MO201	1300	1220+/-10	860	+1/+10	287	130	230/50HZ	4.0 (kWh/24h)	R290	Yes	£3453
MO202	1500	1220+/-10	860	+1/+10	290	150	230/50HZ	4.1 (kWh/24h)	R290	Yes	£3899
MO203	1700	1220+/-10	860	+1/+10	365	170	230/50HZ	5.1 (kWh/24h)	R290	Yes	£4132
MO204	2040	1220+/-10	860	+1/+10	365	190	230/50HZ	5.1 (kWh/24h)	R290	Yes	£4646
MO205	2520	1220+/-10	860	+1/+10	450	220	230/50HZ	6.3 (kWh/24h)	R290	Yes	£5763

Optional Extras:

303	20mm Grey granite worktop (per meter)	£100	1201	Moveable partition (low glass on stand) per meter	£80
3002	Castors (per meter)	£250	1201	Fixed Partition	£120
5002	Different front panel colour (per meter)	£100	321	Electronic temp, recorder, software & wire	£170
5003	Different base panel colour (per meter)	£30	3006	Additional LED light on the front base panel (per meter)	£120
333	Small moveable table for scales or cash register	£290			

**2 years
parts
warranty**

Pico Meat
Serve Over Counter



Up to 1.5m have one under storage door, 1.7m and above have 2 under storage doors. The under storage door dimensions are W560 x H310mm (understorage opening dimensions are W500 x H220mm)

Standard Features:

- Static cooling
- 13 AMP supply
- Electronic temperature controller with digital display
- Exterior powder coated white paint with coloured trim
- Stainless steel worktop
- White LED lighting
- Auto defrost
- Straight front glass
- Compressor on built in rails for easy servicing
- Refrigerated under storage
- Ambient intermediate glass shelf
- ABS side panels
- Display decking in stainless steel
- Rear sliding perspex doors
- Front glass defogger
- Different colour options available (P.O.A)
- Suitable for use in ambient temp. up to 25°C & 65%RH
- Condensor or fan failure alarm

Model	Width (mm)	Height (mm)	Depth (mm)	Temp Range (°C)	Power (w)	Weight (kg)	Voltage	Energy Consumption	Refrigerant	Auto Defrost	RRP
MO200M	1060	1220+/-10	860	-2/+4	287	110	230/50HZ	4.0 (kWh/24h)	R290	Yes	£3521
MO201M	1300	1220+/-10	860	-2/+4	287	130	230/50HZ	4.0 (kWh/24h)	R290	Yes	£3944
MO202M	1500	1220+/-10	860	-2/+4	290	150	230/50HZ	4.1 (kWh/24h)	R290	Yes	£4466
MO203M	1700	1220+/-10	860	-2/+4	365	170	230/50HZ	5.1 (kWh/24h)	R290	Yes	£4774
MO204M	2040	1220+/-10	860	-2/+4	365	190	230/50HZ	5.1 (kWh/24h)	R290	Yes	£5429
MO205M	2520	1220+/-10	860	-2/+4	450	220	230/50HZ	6.3 (kWh/24h)	R290	Yes	£6675

Optional Extras:

303	20mm Grey granite worktop (per meter)	£100	1201	Moveable partition (low glass on stand) per meter	£80
3002	Castors (per meter)	£250	1201	Fixed Partition	£120
5002	Different front panel colour (per meter)	£100	321	Electronic temp, recorder, software & wire	£170
5003	Different base panel colour (per meter)	£30	3006	Additional LED light on the front base panel (per meter)	£120
333	Small moveable table for scales or cash register	£290			



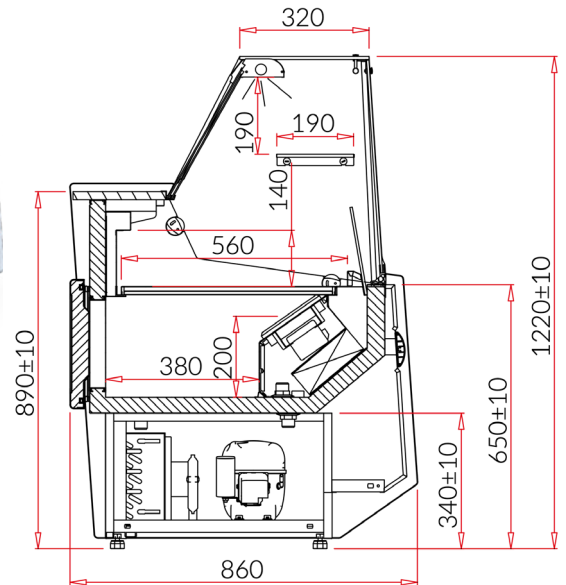
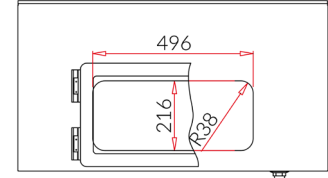
Pico Deep

Serve Over Counter

**2 years
parts
warranty**



+1/+10



Up to 1.5m have one under storage door, 1.7m and above have 2 under storage doors. The under storage door dimensions are W560 x H310mm (understorage opening dimensions are W500 x H220mm)

Standard Features:

- Ventilated cooling
- 13 AMP supply
- Electronic temperature controller with digital display
- Exterior powder coated white paint with coloured trim
- Stainless steel worktop
- White LED lighting
- Auto defrost
- Straight front glass
- Compressor on built in rails for easy servicing
- Refrigerated understorage
- Ambient Intermediate glass shelf
- ABS side panels
- Display decking in white powder painted steel
- Display decking depth 560mm
- Rear sliding Perspex doors
- Front glass defogger
- Different colour options available (P.O.A)
- Suitable for use in ambient temp. upto 25°C & 65% RH
- Condensor or fan failure alarm

Model	Width (mm)	Height (mm)	Depth (mm)	Temp Range (°c)	Power (w)	Weight (kg)	Voltage	Energy Consumption	Refrigerant	Auto Defrost	RRP
MO200WG	1060	1220+/-10	860	+1/+10	287	110	230/50HZ	4.0 (kWh/24h)	R290	Yes	£3539
MO201WG	1300	1220+/-10	860	+1/+10	287	130	230/50HZ	4.0 (kWh/24h)	R290	Yes	£3795
MO202WG	1500	1220+/-10	860	+1/+10	290	150	230/50HZ	4.1 (kWh/24h)	R290	Yes	£4284
MO203WG	1700	1220+/-10	860	+1/+10	365	170	230/50HZ	5.1 (kWh/24h)	R290	Yes	£4557
MO204WG	2040	1220+/-10	860	+1/+10	365	190	230/50HZ	5.1 (kWh/24h)	R290	Yes	£5108
MO205WG	2520	1220+/-10	860	+1/+10	450	220	230/50HZ	6.3 (kWh/24h)	R290	Yes	£6247t

Optional Extras:

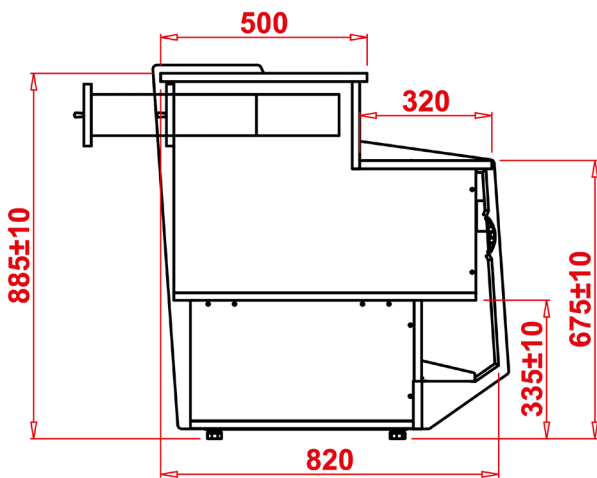
303	20mm Grey granite worktop (per meter)	£100	1201	Moveable partition (low glass on stand) per meter	£80
3002	Castors (per meter)	£250	1201	Fixed Partition	£120
5002	Different front panel colour (per meter)	£100	321	Electronic temp, recorder, software & wire	£170
5003	Different base panel colour (per meter)	£30	3006	Additional LED light on the front base panel (per meter)	£120
333	Small moveable table for scales or cash register	£290			

**2 years
parts
warranty**

Pico Counter

Ambient Checkout Counter

IGLOO



Standard features:

- External Housing made of coloured coated steel - Different colours available
- Pull out drawer (does not apply to Lada 0.5)
- Stainless steel worktop
- Front Bumper - different colours available
- Socket

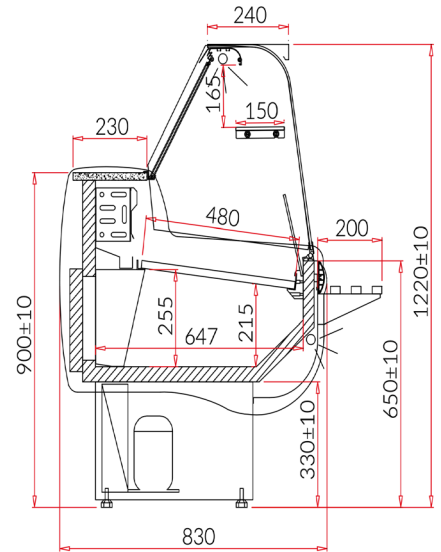
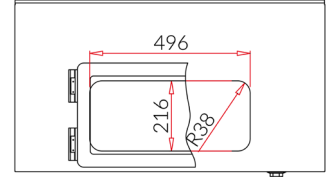
Model	Width (mm)	Height (mm)	Depth (mm)	Weight (kg)	RRP
LS/MO2/500	500	890+/-10	843	50	£1001
LS/MO2/1000	1000	890+/-10	843	68	£1465
LS/MO2/1500	1500	890+/-140	843	80	£2114

Optional Extras:

303	20mm Grey granite worktop (per meter)	£100
5002	Different front panel colour (per meter)	£100
5003	Different base panel colour (per meter)	£30



+1/+10



Up to 1.5m have one under storage door, 1.7m and above have 2 under storage doors. The under storage door dimensions are W560 x H310mm (understorage opening dimensions are W500 x H220mm)

Standard Features:

- Static cooling
- 13 AMP supply
- Electronic controller with digital display
- Exterior powder coated white paint with coloured trim
- Stainless steel worktop
- White LED lighting
- Auto defrost
- Curved front glass
- Compressor on built in rails
- Refrigerated understorage
- Ambient intermediate glass shelf
- ABS side panels
- Display decking white powder painted steel
- Rear sliding perspex doors
- Front defogger glass
- Different colour option available (P.O.A)
- Suitable for use in temp. up to 25°C & 65% RH
- Condensor or fan failure alarm

Model	Width (mm)	Height (mm)	Depth (mm)	Display Area (W x D)mm	Temp Range (°c)	Power (w)	Weight (kg)	Voltage	Energy Consumption	Refrigerant	Auto Defrost	RRP
ROTA100	1070	1220+/-10	830	974 x 485	+1/+10	247	110	230/50HZ	4.0 (kWh/24h)	R290	Yes	£3032
ROTA130	1310	1220+/-10	830	1214 x 485	+1/+10	248	130	230/50HZ	4.0 (kWh/24h)	R290	Yes	£3325
ROTA150	1510	1220+/-10	830	1414 x 485	+1/+10	251	150	230/50HZ	4.1 (kWh/24h)	R290	Yes	£3763
ROTA170	1710	1220+/-10	830	1614 x 485	+1/+10	312	170	230/50HZ	5.1 (kWh/24h)	R290	Yes	£4025
ROTA200	2050	1220+/-10	830	1954 x 485	+1/+10	312	190	230/50HZ	5.1 (kWh/24h)	R290	Yes	£4477
ROTA250	2520	1220+/-10	830	2434 x 485	+1/+10	341	220	230/50HZ	6.3 (kWh/24h)	R290	Yes	£5790

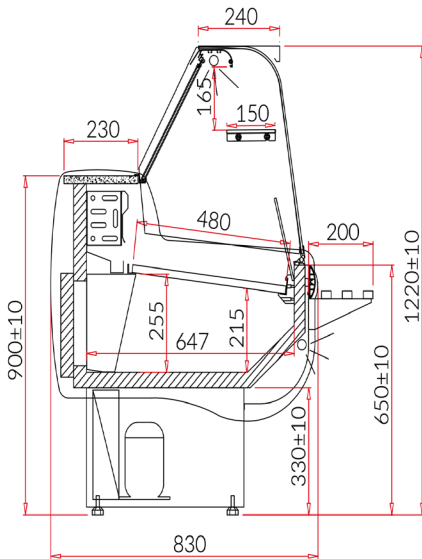
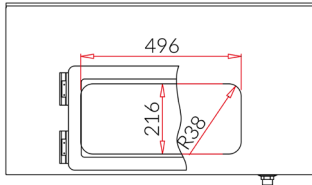
Optional Extras:

3002	Castors (per meter)	£250	321	Electronic temp.recorder, software and wire	£170
5002	Different front panel colour (per meter)	£100	1202	Fixed partition (high glass on decking)	£120
1201	Moveable partition (low glass on stand)	£80	303	20mm Grey granite worktop (per meter)	£100
5003	Different base panel colour (per meter)	£30	3006	Additional LED light on the front base panel (per meter)	£120
333	Small moveable table for scales or cash register	£290			

**2 years
parts
warranty**

Rota - Meat

Slimline Serve Over Counter



Up to 1.5m have one under storage door, 1.7m and above have 2 under storage doors. The under storage door dimensions are W560 x H310mm (understorage opening dimensions are W500 x H220mm)

Standard features:

- Static cooling
- 13 amp supply
- Electronic controller with digital display
- Exterior powder coated white paint with coloured trim
- Stainless steel worktop
- White LED lighting
- Auto defrost
- Curved front glass
- Compressor on built in rails
- Refrigerated under storage
- Ambient intermediate glass shelf
- ABS side panels
- Switchable interior lighting
- Rear sliding perspex doors
- Stainless steel display decking
- Suitable for use in ambient temp. up to 25°C & 65% RH
- Condensor or fan failure alarm

Model	Width (mm)	Height (mm)	Depth (mm)	Display Area (W x D)mm	Temp Range (°C)	Power (w)	Weight (kg)	Voltage	Energy Consumption	Refrigerant	Auto Defrost	RRP
ROTA100M	1070	1220+/-10	830	974 x 485	-2/+4	227	119	230/50HZ	3.8 (kWh/24h)	R290	Yes	£3439
ROTA130M	1310	1220+/-10	830	1214 x 485	-2/+4	239	139	230/50HZ	3.8 (kWh/24h)	R290	Yes	£3850
ROTA150M	1510	1220+/-10	830	1414 x 485	-2/+4	347	159	230/50HZ	5.6 (kWh/24h)	R290	Yes	£4368
ROTA170M	1710	1220+/-10	830	1614 x 485	-2/+4	355	179	230/50HZ	5.7 (kWh/24h)	R290	Yes	£4709
ROTA200M	2050	1220+/-10	830	1954 x 485	-2/+4	355	199	230/50HZ	5.7 (kWh/24h)	R290	Yes	£5279
ROTA250M	2520	1220+/-10	830	2434 x 485	-2/+4	543	229	230/50HZ	8.7 (kWh/24h)	R290	Yes	£6688

Optional Extras:

303	20mm Granite worktop (per meter)	£100	321	Electronic temp.recorder, software and wire	£170
3002	Castors (per meter)	£250	1201	Moveable partition (low glass stand) (per meter)	£80
5002	Different Front panel colour (per meter)	£100	1202	Fixed partition (high glass on decking)	£120
3003	400x500mm Moveable table	£290	3003	400x500mm Moveable table	£290
333	Small moveable table for scales or cash register	£290			



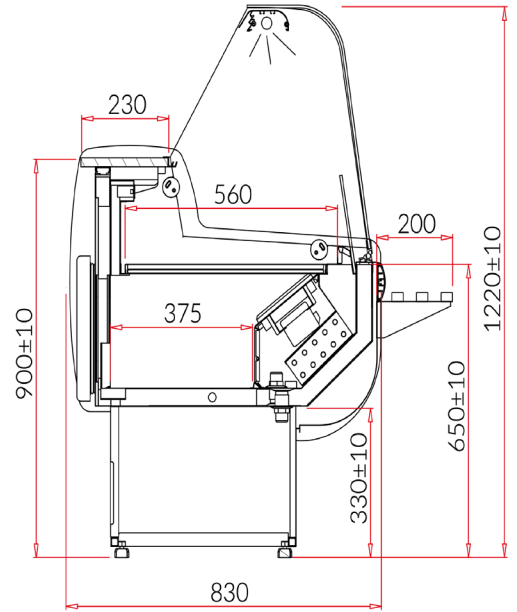
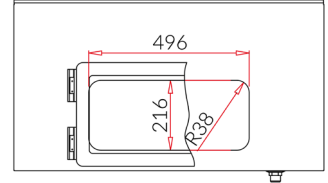
Rota Deep

Slimline Serve over Counter
with 560mm deep decking

**2 years
parts
warranty**



+1/+10



Up to 1.5m have one under storage door, 1.7m and above have 2 under storage doors. The under storage door dimensions are W560 x H310mm (understorage opening dimensions are W500 x H220mm)

Standard features:

- Ventilated cooling
- 13 amp supply
- Electronic controller with digital display
- Exterior powder coated white paint with coloured trim
- Stainless steel worktop
- White LED lighting
- Auto defrost
- Curved front glass
- Compressor on built in rails for easy servicing
- Refrigerated under storage
- Ambient intermediate glass shelf
- ABS side panels
- 560mm Display decking white powder
- Painted steel
- Rear sliding perspex doors
- Front defogger glass
- Different colour option available (P.O.A)
- Suitable for use in ambient temp. up to 25°C & 65% RH
- Condensor or fan failure alarm

Model	Width (mm)	Height (mm)	Depth (mm)	Display Area (W x D)mm	Temp Range (°c)	Power (w)	Weight (kg)	Voltage	Energy Consumption	Refrigerant	Auto Defrost	RRP
ROTA100WD	1070	1220+/-10	830	974 x 560	+1/+10	227	110	230/50HZ	4.9 (kWh/24h)	R290	Yes	£3369
ROTA130WD	1310	1220+/-10	830	1214 x 560	+1/+10	239	130	230/50HZ	4.9 (kWh/24h)	R290	Yes	£3686
ROTA150WD	1510	1220+/-10	830	1414 x 560	+1/+10	347	150	230/50HZ	5.0 (kWh/24h)	R290	Yes	£4135
ROTA170WD	1710	1220+/-10	830	1614 x 560	+1/+10	355	170	230/50HZ	5.0 (kWh/24h)	R290	Yes	£4383
ROTA200WD	2050	1220+/-10	830	1954 x 560	+1/+10	355	190	230/50HZ	6.6 (kWh/24h)	R290	Yes	£5054
ROTA250WD	2520	1220+/-10	830	2434 x 560	+1/+10	543	220	230/50HZ	6.8 (kWh/24h)	R290	Yes	£6207

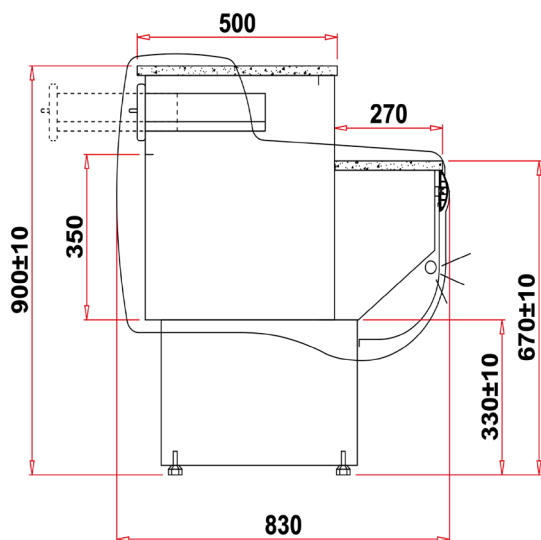
Optional Extras:

303	20mm Grey granite worktop (per meter)	£100	1201	Moveable partition (low glass stand) (per meter)	£80
3002	Castors (per meter)	£250	1202	Fixed partition (high glass on decking)	£120
5002	Different front panel colour (per meter)	£100	321	Electronic temp. recorder, software & wire	£170
5003	Different base panel (per meter)	£30	3006	Additional LED light on the front base panel (per meter)	£120
333	Small moveable table for scales or cash register	£290			

**2 years
parts
warranty**

Rota Counter

Ambient Checkout Counter



Standard Features:

- External housing made of white coated steel
- Pull out drawer
- Different coloured bumpers available
- Stainless steel worktop
- Device levelling legs
- Socket
- ABS side panels
- Different colour options available
- Rear ambient shelf

Model	Width (mm)	Height (mm)	Depth (mm)	Weight (kg)	RRP
LS/MO500	500	890+/-10	830	50	£954
LS/MO1000	1000	890+/-10	830	68	£1324
LS/MO1500	1500	890+/-10	830	80	£1913

Optional Extras:

303	Grey granite top (thickness 20mm) per meter	£100
5002	Different front panel (per meter)	£100
5003	Different base panel colour (per meter)	£30



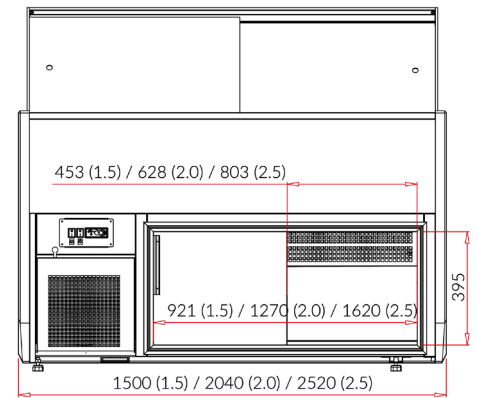
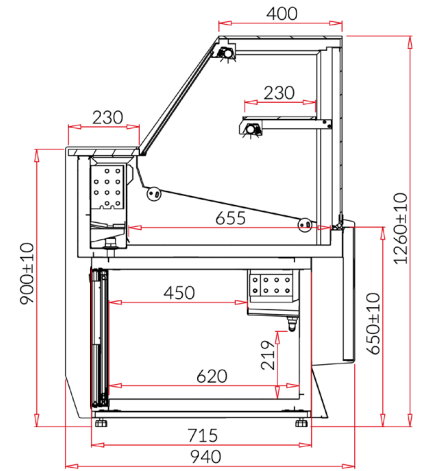
Sumba

Serve over Counter
Multiplexable Device

**2 years
parts
warranty**



+3/+10



Standard Features:

- Static cooling (2 evaporators)
- 13 AMP supply
- Electronic temperature controller with digital display
- Exterior made of white coated steel
- 20mm grey Granite worktop
- Automatic defrost and evaporation
- Straight front glass
- Compressor on built in rails for easy servicing
- Refrigerated understorage
- Ambient intermediate glass shelf with LED
- ABS side panels
- Stainless steel display decking
- 655mm decking depth
- Rear sliding perspex doors
- Front glass defogger
- Different colour options available (POA)
- Suitable for use in ambient temp. up to 25°C & 65% RH
- Sliding storage doors
- Condensor or fan failure alarm

Model	Width (mm)	Height (mm)	Depth (mm)	Temp Range (°C)	Power (w)	Weight (kg)	Voltage	Energy Consumption	Refrigerant	Auto Defrost	RRP
SUMBA1.0	1060	1260+/-10	940	+3/+10	242	160	230/50HZ	3.4 (kWh/24h)	R290	Yes	£4103
SUMBA1.5	1500	1260+/-10	940	+3/+10	307	206	230/50HZ	4.3 (kWh/24h)	R290	Yes	£5150
SUMBA2.0	2040	1260+/-10	940	+3/+10	392	258	230/50HZ	5.5 (kWh/24h)	R290	Yes	£6252
SUMBA2.5	2520	1260+/-10	940	+3/+10	588	320	230/50HZ	8.2 (kWh/24h)	R290	Yes	£7520
SUMBANW90	1250x1250	1260+/-10	940	+3/+10	588	320	230/50HZ	8.2 (kWh/24h)	R290	Yes	£6568
SUMBANZ	1950x1950	1260+/-10	940	+3/+10	588	320	230/50HZ	8.2 (kWh/24h)	R290	Yes	£11223

Optional Extras:

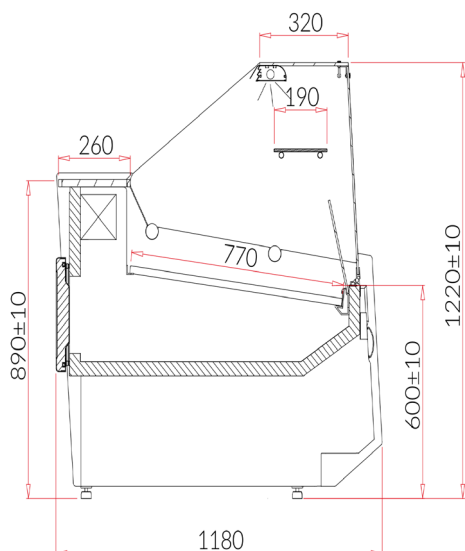
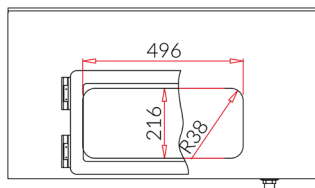
3002	Castors (per meter)	£250	DRE	Wood finish, DRE model (per meter)	£395
1201	Moveable partition (low glass on stand)	£80	3003	400x500mm Moveable table	£290
3004	Opening front glass (stable style) per meter	£160	3006	Additional LED light on the front base panel (per meter)	£120
333	Small moveable table for scales or cash register	£290			

**2 years
parts
warranty**

Luzon
Serve Over Counter
Multiplexable Device



+1/+10



Up to 1.4m have one under storage door, 1.7m and above have 2 under storage doors. The under storage door dimensions are W560 x H310mm (understorage opening dimensions are W500 x H220mm)
* PLEASE NOTE: 3.0 & 3.4m units are customer collection from our warehouse or price on application for delivery

Standard Features:

- Static cooling
- 13AMP supply
- Electronic temperature controller with digital display
- Exterior powder coated white paint with coloured trim
- Stainless steel worktop
- White LED lighting
- Auto defrost
- Straight front glass
- Compressor on built in rails for easy servicing
- Refrigerated understorage
- Ambient intermediate glass shelf with LED
- ABS side panels
- Stainless steel display decking
- Rear sliding perspex doors
- Front glass defogger
- Different colour options available (POA)
- Suitable for use in temp. up to 25°C & 65% RH
- Condensor or fan failure alarm

Model	Width (mm)	Height (mm)	Depth (mm)	Temp Range (°C)	Power (w)	Weight (kg)	Voltage	Energy Consumption	Refrigerant	Auto Defrost	RRP
BA200	1020	1220+/-10	1180	+1/+10	287	140	230/50HZ	4.0 (kWh/24h)	R290	Yes	£3387
BA201	1330	1220+/-10	1180	+1/+10	290	160	230/50HZ	4.1 (kWh/24h)	R290	Yes	£3749
BA202	1645	1220+/-10	1180	+1/+10	365	190	230/50HZ	5.1 (kWh/24h)	R290	Yes	£4512
BA203	1960	1220+/-10	1180	+1/+10	435	215	230/50HZ	6.1 (kWh/24h)	R290	Yes	£5315
BA204	2580	1220+/-10	1180	+1/+10	599	290	230/50HZ	8.4 (kWh/24h)	R290	Yes	£6404
BA205	3210	1220+/-10	1180	+1/+10	677	340	230/50HZ	9.5 (kWh/24h)	R290	Yes	£7938
BA206	3830	1220+/-10	1180	+1/+10	940	390	230/50HZ	13.2 (kWh/24h)	R290	Yes	£9116

Optional Extras:

303	20mm Grey granite worktop (per meter)	£100	1201	Moveable partition (low glass on stand) per meter	£80
3002	Castors (per meter)	£250	1202	Fixed partition (high glass on deck) per meter	£120
5002	Different front panel colour (per meter)	£100	321	Electric temp. recorder, software & wire	£170
5003	Different base panel colour (per meter)	£30	3006	Additional LED light on the front base panel (per meter)	£120
123	Multiplexing (per unit)	+10%	333	Small moveable table for scales or cash register	£290

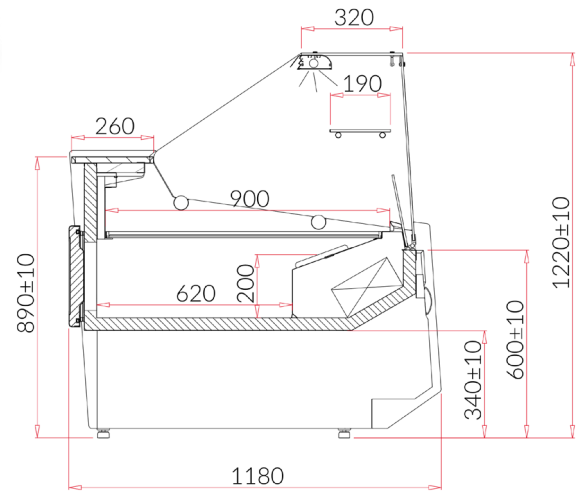
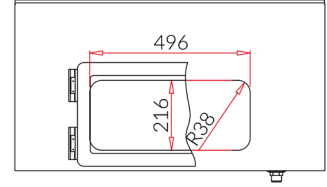
Luzon Deep Meat

Serve Over Counter
Multiplexable Device

**2 years
parts
warranty**



-2/+4



Up to 1.4m have one under storage door, 1.7m and above have 2 under storage doors. The under storage door dimensions are W560 x H310mm (understorage opening dimensions are W500 x H220mm)

* PLEASE NOTE: 3.0 & 3.4m units are customer collection from our warehouse or price on application for delivery

Standard features:

- Ventilated cooling
- 900mm deep decking
- Electronic temperature controller with digital display
- Exterior powder coated white paint with coloured trim
- Stainless steel worktop
- White LED lighting
- Auto defrost
- Straight front glass
- Compressor on built in rails for easy servicing
- Refrigerated understorage
- Ambient intermediate glass shelf with LED
- ABS side panels
- Display decking in stainless steel
- Rear sliding perspex doors
- Front glass defogger
- Different colour options available (POA)
- Suitable for use in temp. up to 25°C & 65% RH
- 13AMP supply
- Condensor or fan failure alarm

Model	Width (mm)	Height (mm)	Depth (mm)	Temp Range (°C)	Power (w)	Weight (kg)	Voltage	Energy Consumption	Refrigerant	Auto Defrost	RRP
BA220WGM	1020	1220+/-10	1180	-2/+4	287	140	230/50HZ	4.0 (kWh/24h)	R290	Yes	4093
BA230WGM	1330	1220+/-10	1180	-2/+4	290	160	230/50HZ	4.1 (kWh/24h)	R290	Yes	4713
BA240WGM	1645	1220+/-10	1180	-2/+4	365	190	230/50HZ	5.1 (kWh/24h)	R290	Yes	5560
BA250WGM	1960	1220+/-10	1180	-2/+4	435	215	230/50HZ	6.1 (kWh/24h)	R290	Yes	6591
BA260WGM	2580	1220+/-10	1180	-2/+4	599	290	230/50HZ	8.4 (kWh/24h)	R290	Yes	8077
BA270WGM	3210	1220+/-10	1180	-2/+4	677	340	230/50HZ	9.5 (kWh/24h)	R290	Yes	9935
BA280WGM	3830	1220+/-10	1180	-2/+4	940	390	230/50HZ	13.2 (kWh/24h)	R290	Yes	11177

Optional Extras:

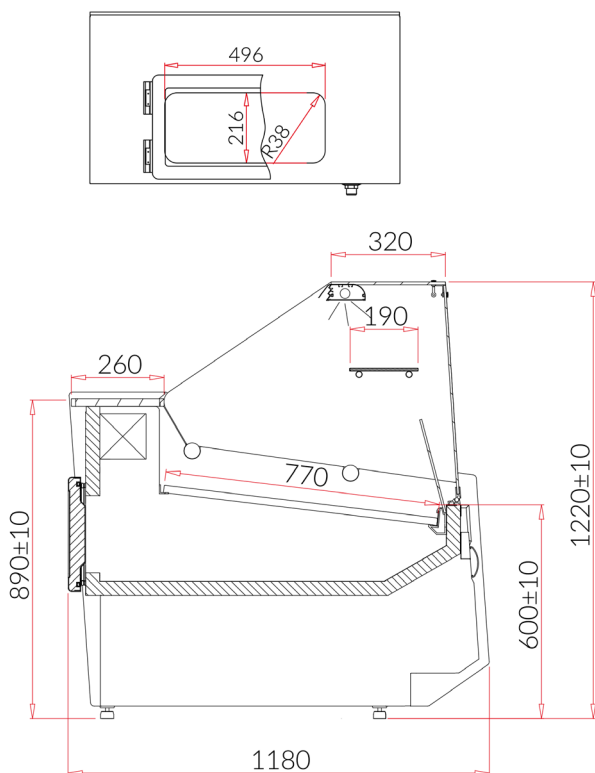
303	20mm Grey granite worktop (per meter)	£100	1201	Moveable partition (low glass on stand) per meter	£80
3002	Castors (per meter)	£250	1202	Fixed partition (high glass on deck) per meter	£120
5002	Different front panel colour (per meter)	£100	333	Small moveable table for scales or cash register	£290
5003	Different base panel colour (per meter)	£30	3006	Additional LED light on the front base panel (per meter)	£120

**2 years
parts
warranty**

Luzon Meat
Serve Over Counter
Multiplexable Device



-2/+4



Up to 1.4m have one under storage door, 1.7m and above have 2 under storage doors. The under storage door dimensions are W560 x H310mm (understorage opening dimensions are H500 x W220mm)
* PLEASE NOTE: 3.0 & 3.4m units are customer collection from our warehouse or price on application for delivery

Standard features:

- Static cooling
- 13AMP supply
- Electronic temperature controller with digital display
- Exterior powder coated white paint with coloured trim
- Stainless steel worktop
- White LED lighting
- Auto defrost
- Straight front glass
- Compressor on built in rails for easy servicing
- Refrigerated understorage
- Ambient intermediate glass shelf with LED
- ABS side panels
- Display decking in stainless steel
- Rear sliding perspex doors
- Front glass defogger
- Different colour options available (POA)
- Suitable for use in temp. up to 25°C & 65% RH
- Condensor or fan failure alarm

Model	Width (mm)	Height (mm)	Depth (mm)	Temp Range (°C)	Power (w)	Weight (kg)	Voltage	Energy Consumption	Refrigerant	Auto Defrost	RRP
BA200M	1020	1220+/-10	1180	-2/+4	287	140	230/50HZ	5.2(kWh/24h)	R290	Yes	£3686
BA201M	1330	1220+/-10	1180	-2/+4	290	160	230/50HZ	6.5(kWh/24h)	R290	Yes	£4212
BA202M	1645	1220+/-10	1180	-2/+4	365	190	230/50HZ	6.6(kWh/24h)	R290	Yes	£4991
BA203M	1960	1220+/-10	1180	-2/+4	435	215	230/50HZ	9.9(kWh/24h)	R290	Yes	£5875
BA204M	2580	1220+/-10	1180	-2/+4	599	290	230/50HZ	10.3(kWh/24h)	R290	Yes	£7152
BA205M	3210	1220+/-10	1180	-2/+4	677	340	230/50HZ	17.6(kWh/24h)	R290	Yes	£8895
BA206M	3830	1220+/-10	1180	-2/+4	940	390	230/50HZ	17.8(kWh/24h)	R290	Yes	£10309

Optional Extras:

303	20mm Grey granite worktop (per meter)	£100	1201	Moveable partition (low glass on stand) per meter	£80
3002	Castors (per meter)	£250	1202	Fixed partition (high glass on deck) per meter	£120
5002	Different front panel colour (per meter)	£100	333	Small moveable table for scales or cash register	£290
5003	Different base panel colour (per meter)	£30	3006	Additional LED light on the front base panel (per meter)	£120



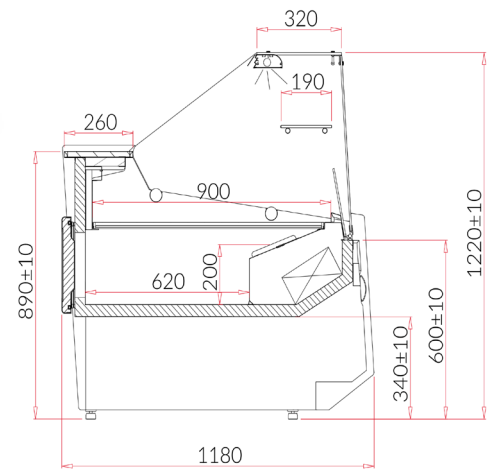
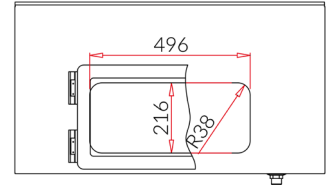
Luzon Deep

Serve Over Counter
Multiplexable Device

**2 years
parts
warranty**



+1/+10



Up to 1.4m have one under storage door, 1.7m and above have 2 under storage doors. The under storage door dimensions are W560 x H310mm (understorage opening dimensions are W500 x H220mm)

* PLEASE NOTE: 3.0 & 3.4m units are customer collection from our warehouse or price on application for delivery

Standard Features:

- Ventilated cooling
- 900mm deep decking
- 13AMP supply
- Electronic temperature controller with digital display
- Exterior powder coated white paint with coloured trim
- Stainless steel worktop
- White LED lighting
- Auto defrost
- Straight front glass
- Compressor on built in rails for easy servicing
- Refrigerated understorage
- Ambient intermediate glass shelf
- ABS side panels
- Display decking with white powder painted steel
- Rear sliding perspex doors
- Front glass defogger
- Different colour options available (POA) Suitable for use in temp. up to 25°C & 65% RH
- Condensor or fan failure alarm

Model	Width (mm)	Height (mm)	Depth (mm)	Temp Range (°C)	Power (w)	Weight (kg)	Voltage	Energy Consumption	Refrigerant	Auto Defrost	RRP
BA220WG	1020	1230+/-10	1180	+1/+10	347	120	230/50HZ	5.2(kWh/24h)	R290	Yes	£3779
BA230WG	1330	1230+/-10	1180	+1/+10	423	140	230/50HZ	6.5(kWh/24h)	R290	Yes	£4301
BA240WG	1645	1230+/-10	1180	+1/+10	438	170	230/50HZ	6.6(kWh/24h)	R290	Yes	£5072
BA250WG	1960	1230+/-10	1180	+1/+10	651	200	230/50HZ	9.9(kWh/24h)	R290	Yes	£5960
BA260WG	2580	1230+/-10	1180	+1/+10	723	260	230/50HZ	10.3(kWh/24h)	R290	Yes	£7152
BA270WG	3210	1220+/-10	1180	+1/+10	1092	340	230/50HZ	17.6(kWh/24h)	R290	Yes	£8906
BA280WG	3830	1220+/-10	1180	+1/+10	1209	390	230/50HZ	17.8(kWh/24h)	R290	Yes	£9973

Optional Extras:

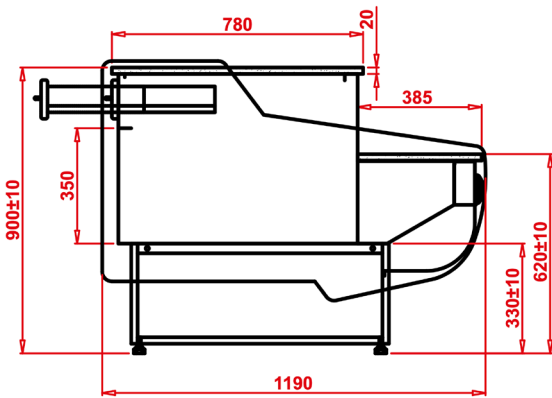
303	20mm Grey granite worktop	£100	1201	Moveable partition (low glass on stand) per meter	£80
3002	Castors (per meter)	£250	1202	Fixed partition (high glass on deck) per meter	£120
5002	Different front panel colour (per meter)	£100	333	Small moveable table for scales or cash register	£290
5003	Different base panel colour (per meter)	£30	3006	Additional LED light on the front base panel (per meter)	£120

**2 years
parts
warranty**

Luzon Counter

Ambient Checkout Counter

IGLOO



Standard Features:

- External Housing made of coloured coated steel - Different colours available
- Front Bumper - different colours available (POA)
- Socket
- Drawer (does not apply to Lada 0.5)
- Stainless steel worktop

Model	Width (mm)	Height (mm)	Depth (mm)	Weight (kg)	RRP
LS/LU500	500	890+/-10	1180	65	£1150
LS/LU1000	1000	890+/-10	1180	89	£1702
LS/LU1500	1500	890+/-10	1180	105	£2543

Optional Extras:

303	Grey granite top (thickness 20mm) per meter	£100
5002	Different front panel (per meter)	£100
5003	Different base panel colour (per meter)	£30



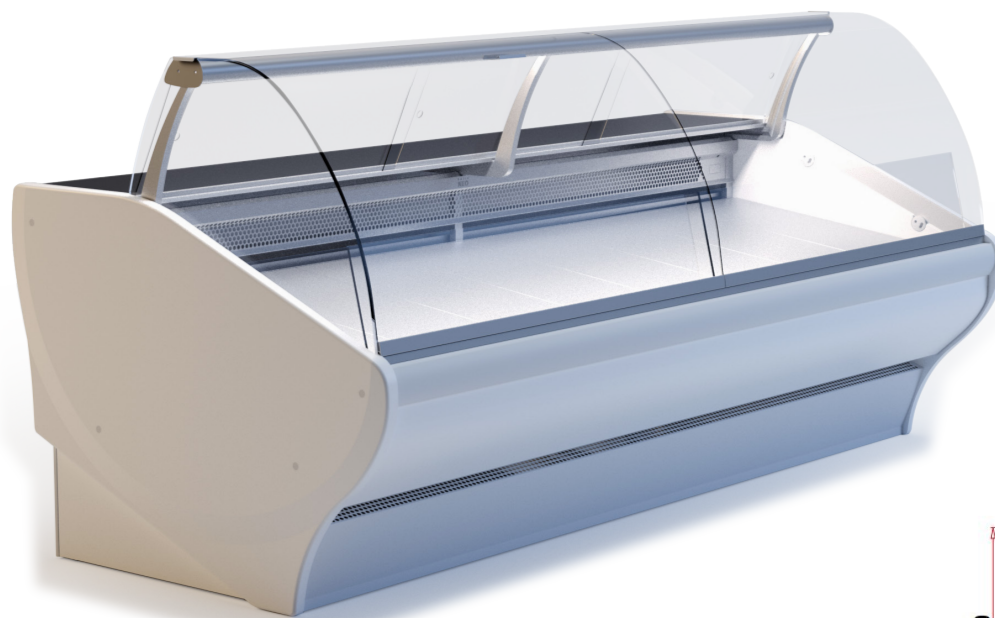
Basia/Tobi NEO

Serve Over Counter
Multiplexable Device

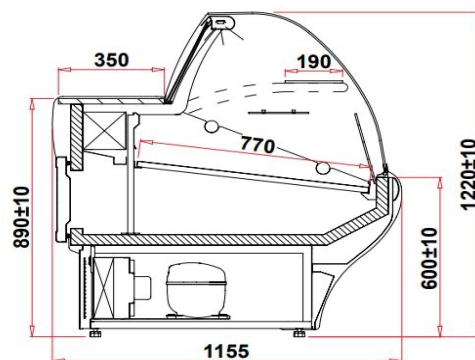
**2 years
parts
warranty**



+1/+10



NEW



Standard features:

- Standard colour is white with grey bumper
- Static cooling
- 13 AMP supply
- Electronic temperature controller with digital display
- Exterior powder coated white paint with coloured trim
- Stainless steel worktop
- White LED lighting
- Auto defrost
- Curved front glass
- Compressor on built in rails for easy servicing
- Refrigerated understorage
- Ambient intermediate glass shelf
- ABS side panels
- Display decking white powder painted steel
- Front glass defogger
- Different colour options available (POA)
- Suitable for use in ambient temp up to 25c
- Condensor or fan failure alarm

Model	Width (mm)	Height (mm)	Depth (mm)	Display Area (mm)	Weight (kg)	Temp Range	Energy Consumption	Refrigerant	Voltage	Auto Defrost	RRP
TOBI110NEO	1020	1220	1155	1040x770	140	+1/+10	5.0 (kWh/h)	R290	230/50Hz	Yes	£3337
TOBI140NEO	1330	1220	1155	1287x770	160	+1/+10	5.3 (kWh/h)	R290	230/50Hz	Yes	£3695
TOBI170NEO	1650	1220	1155	1587x770	190	+1/+10	5.4 (kWh/h)	R290	230/50Hz	Yes	£4516
TOBI210NEO	1960	1220	1155	1917x770	215	+1/+10	6.5 (kWh/h)	R290	230/50Hz	Yes	£5073
TOBI250NEO	2580	1220	1155	2457x770	290	+1/+10	7.5 (kWh/h)	R290	230/50Hz	Yes	£6223

Optional Extras:

303	20mm grey granite worktop (per meter)	£100	1201	Moveable partition low glass on stand (per meter)	£100
3002	Castors (per meter)	£250	1202	Fixed partition high glass on decking	£120
5002	Different front panel colour (per meter)	£100	321	Electronic temp. recorder, software & wire	£170
5003	Different base panel colour (per meter)	£30	3006	Additional LED light on front base panel (per meter)	£120

**2 years
parts
warranty**

Basia/Tobi NEO Meat

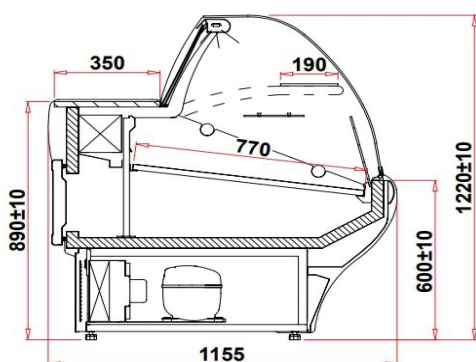
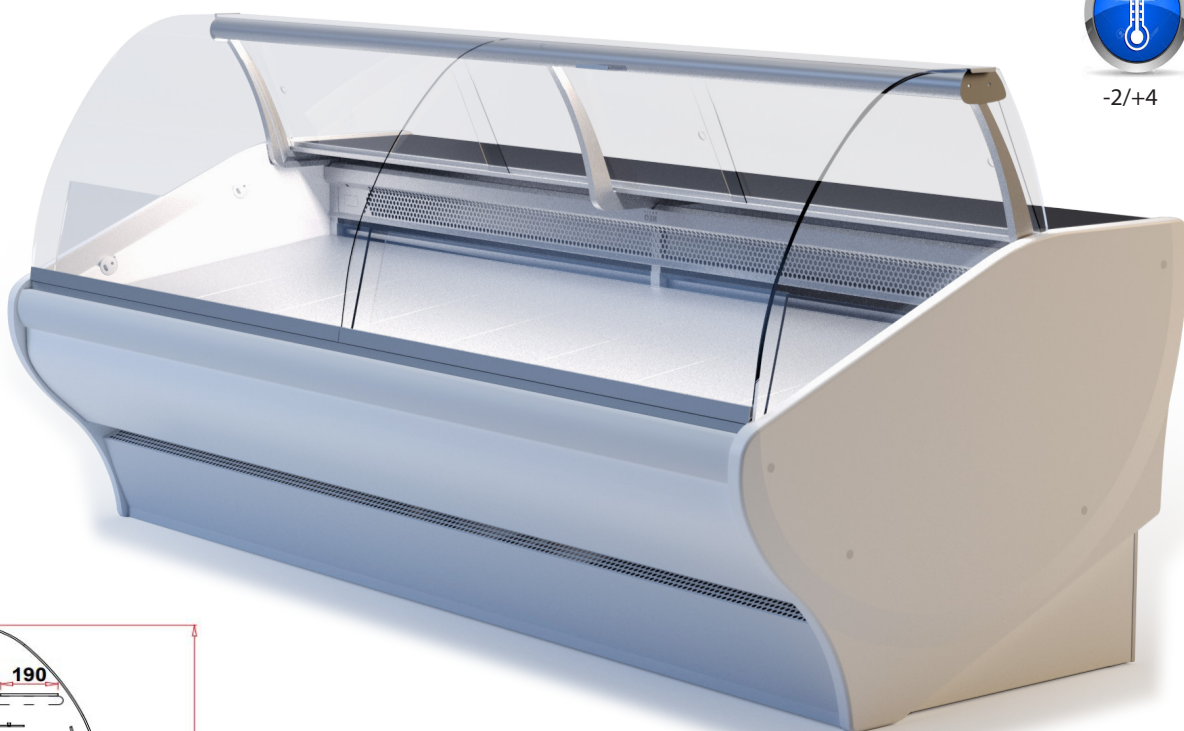
Serve Over Counter
Multiplexable Device

IGLOO



-2/+4

NEW



Standard features:

- Standard colour is white with grey bumper
- Static cooling
- 13 AMP supply
- Electronic temperature controller with digital display
- Exterior powder coated white paint with coloured trim
- Stainless steel worktop
- White LED lighting
- Auto defrost
- Curved front glass
- Compressor on built in rails
- Refrigerated understorage
- Ambient intermediate glass shelf
- ABS side panels
- Display decking white powder painted steel
- Front glass defogger
- Different colour options available (POA)
- Suitable for use in ambient temp up to 25c

Model	Width (mm)	Height (mm)	Depth (mm)	Display Area (mm)	Weight (kg)	Temp Range	Energy Consumption	Refrigerant	Voltage	Auto Defrost	RRP
TOBI110M.NEO	1020	1220	1155	957x770	149	-2/+4	3.6 (kWh/h)	R290	230/50Hz	Yes	£3652
TOBI140M.NEO	1330	1220	1155	1287x770	169	-2/+4	5.5 (kWh/h)	R290	230/50Hz	Yes	£4136
TOBI170M.NEO	1650	1220	1155	1587x770	199	-2/+4	6.4 (kWh/h)	R290	230/50Hz	Yes	£5051
TOBI210M.NEO	1960	1220	1155	1917x770	224	-2/+4	8.1(kWh/h)	R290	230/50Hz	Yes	£5735
TOBI250M.NEO	2580	1220	1155	2457x770	299	-2/+4	8.7 (kWh/h)	R290	230/50Hz	Yes	£7010

Optional Extras:

303	20mm grey granite worktop (per meter)	£100	1201	Moveable partition low glass on stand (per meter)	£100
3002	Castors (per meter)	£250	1202	Fixed partition high glass on decking	£120
5002	Different front panel colour (per meter)	£100	321	Electronic temp. recorder, software & wire	£170
5003	Different base panel colour (per meter)	£30	3006	Additional LED light on front base panel (per meter)	£120



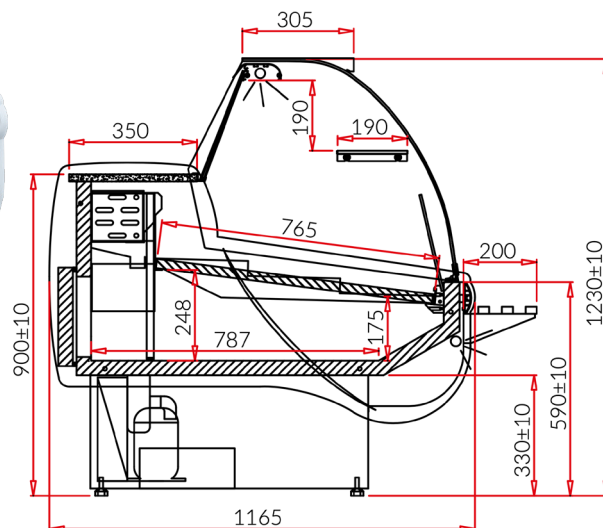
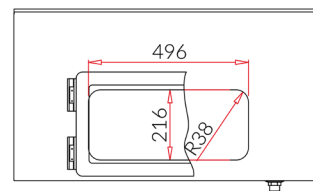
Tobi

Serve Over Counter
Multiplexable Device

**2 years
parts
warranty**



+1/+10



Up to 1.4m have one under storage door, 1.7m and above have 2 under storage doors. The under storage door dimensions are W560 x H310mm (understorage opening dimensions are W500 x H220mm)

* PLEASE NOTE: 3.0 & 3.4m units are customer collection from our warehouse or price on application for delivery

Standard Features:

- Static cooling
- 13 AMP supply
- Electronic temperature controller with digital display
- Exterior powder coated white paint with colour trim
- Stainless steel worktop
- White LED lighting
- Auto defrost
- Curved front glass
- Compressor on built in rails
- Refrigerated understorage
- Ambient intermediate glass shelf
- ABS side panels
- Display decking white powder painted steel
- Front glass defogger
- Different colour options available (P.O.A)
- Suitable for use in ambient temp. up to 25°C & 65% RH
- Condensor or fan failure alarm
- Rear sliding perspex doors

Model	Width (mm)	Height (mm)	Depth (mm)	Display Area (W x D)mm	Temp Range (°C)	Power (w)	Weight (kg)	Voltage	Energy Consumption	Refrigerant	Auto Defrost	RRP
TOBI110	1040	1230+/-10	1165	957 x 765	+1/+10	242	140	230/50HZ	3.4(kWh/24h)	R290	Yes	£3337
TOBI140	1370	1230+/-10	1165	1287 x 765	+1/+10	248	160	230/50HZ	3.5(kWh/24h)	R290	Yes	£3695
TOBI170	1670	1230+/-10	1165	1587 x 765	+1/+10	312	190	230/50HZ	4.4(kWh/24h)	R290	Yes	£4516
TOBI210	2000	1230+/-10	1165	1917 x 765	+1/+10	331	215	230/50HZ	4.6(kWh/24h)	R290	Yes	£5073
TOBI250	2540	1230+/-10	1165	2457 x 765	+1/+10	356	290	230/50HZ	6.2(kWh/24h)	R290	Yes	£6223
TOBI300	2960	1230+/-10	1165	2877 x 765	+1/+10	594	355	230/50HZ	8.3(kWh/24h)	R290	Yes	£7717
TOBI340	3260	1230+/-10	1165	3177 x 765	+1/+10	849	380	230/50HZ	11.9(kWh/24h)	R290	Yes	£7759

Optional Extras:

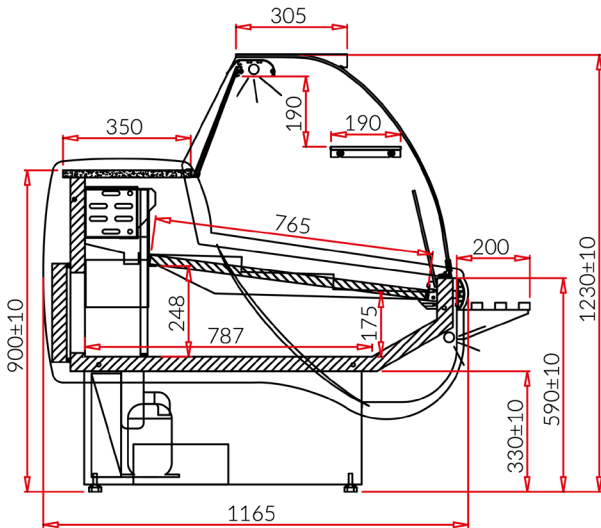
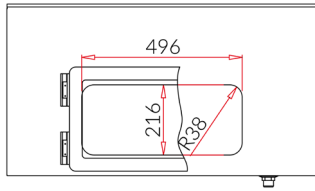
303	20mm Grey granite worktop (per meter)	£100	1201	Moveable partition (low glass on stand) per meter	£80
3002	Castors (per meter)	£250	1202	Fixed partition (high glass on deck) per meter	£120
5002	Different front panel colour (per meter)	£100	333	Small moveable table for scales or cash register	£290
5003	Different base panel colour (per meter)	£30	3006	Additional LED light on the front base panel (per meter)	£120

**2 years
parts
warranty**

Tobi - Meat
Serve Over Counter
Multiplexable Device



-2/+4



Up to 1.4m have one under storage door, 1.7m and above have 2 under storage doors. The under storage door dimensions are W560 x H310mm (understorage opening dimensions are W500 x H220mm)

* PLEASE NOTE: 3.0 & 3.4m units are customer collection from our warehouse or price on application for delivery

Standard features:

- Static cooling
- 13 AMP supply
- Electronic temperature controller with digital display
- Exterior powder coated white paint with colour trim
- Stainless steel worktop
- White LED lighting
- Auto defrost
- Curved front glass
- Compressor on built in rails
- Refrigerated understorage
- Ambient intermediate glass shelf
- ABS side panels
- Stainless steel display decking
- Front glass defogger
- Different colour options available (P.O.A)
- Suitable for use in ambient temp. up to 25°C & 65% RH
- Condensor or fan failure alarm
- Rear sliding perspex doors

Model	Width (mm)	Height (mm)	Depth (mm)	Display Area (W x D)mm	Temp Range (°c)	Power (w)	Weight (kg)	Voltage	Energy Consumption	Refrigerant	Auto Defrost	RRP
TOBI110M	1040	1230+/-10	1165	957 x 765	-2/+4	227	149	230/50HZ	3.6(kWh/24h)	R290	Yes	£3652
TOBI140M	1370	1230+/-10	1165	1287 x 765	-2/+4	333	169	230/50HZ	5.5(kWh/24h)	R290	Yes	£4136
TOBI170M	1670	1230+/-10	1165	1587 x 765	-2/+4	341	199	230/50HZ	6.4(kWh/24h)	R290	Yes	£5051
TOBI210M	2000	1230+/-10	1165	1917 x 765	-2/+4	508	224	230/50HZ	8.1(kWh/24h)	R290	Yes	£5735
TOBI250M	2540	1230+/-10	1165	2457 x 765	-2/+4	541	299	230/50HZ	8.7(kWh/24h)	R290	Yes	£7010
TOBI300M*	2960	1230+/-10	1165	2877 x 765	-2/+4	594	355	230/50HZ	11.9(kWh/24h)	R290	Yes	£8227
TOBI340M*	3260	1230+/-10	1165	3177 x 765	-2/+4	849	380	230/50HZ	12.4(kWh/24h)	R290	Yes	£8897

Optional Extras:

303	20mm Grey granite worktop (per meter)	£100	1201	Moveable partition (low glass on stand) per meter	£80
3002	Castors (per meter)	£250	1202	Fixed partition (high glass on deck) per meter	£120
5002	Different front panel colour (per meter)	£100	333	Small moveable table for scales or cash register	£290
5003	Different base panel colour (per meter)	£30	3006	Additional LED light on the front base panel (per meter)	£120



Tobi Counter

Ambient Checkout Counter

**2 years
parts
warranty**

NEW



Standard features:

- External housing made of white coated steel
- Pull out drawer
- Different colour options available
- 20mm Grey granite worktop
- Device levelling legs
- Socket
- Standard colour in white

Model	Width (mm)	Height (mm)	Depth (mm)	Weight (kg)	RRP
LS/BA500	500	900+/-10	1165	65	£1161
LS/BA1000	1000	900+/-10	1165	105	£1664
LS/BA1500	1500	900+/-10	1165	165	£2259

Optional Extras:

303	Grey granite top (thickness 20mm) per meter	£100
5002	Different front panel (per meter)	£100
5003	Different base panel colour (per meter)	£30

**2 years
parts
warranty**

Basia - Gastro
Serve Over Counter
Multiplexable Device



NEW



Standard Features:

GN Containers are not included - please refer to page 133

- Ventilated cooling
- 13 AMP supply
- Electronic temperature control with digital display
- Exterior powder coated white paint with colour trim
- Stainless steel worktop
- White LED lighting
- Auto defrost
- Curved front glass
- Compressor on built in rails for easy servicing
- ABS side panels
- Rear sliding perspex doors
- Acid resistant internal frame for GN containers
- Different colour options available (P.O.A)
- Anodised aluminium frame in silver
- Suitable for use in ambient temp. up to 25°C & 65% RH
- Factory order 6-8 weeks delivery
- Standard colour in white

Model	Width (mm)	Height (mm)	Depth (mm)	Display Area (W x D)mm	Temp Range (°c)	Power (w)	Weight (kg)	Voltage	Energy Consumption	Refrigerant	Auto Defrost	RRP
BASIA110G	1020	1220	1155	1040x770	+1/+10	276	140	230/50HZ	3.9 (kWh/24h)	R290	Yes	£3633
BASIA140G	1330	1220	1155	1287x770	+1/+10	356	160	230/50HZ	5.7 (kWh/24h)	R290	Yes	£4117
BASIA170G	1650	1220	1155	1587x770	+1/+10	371	190	230/50HZ	6.9 (kWh/24h)	R290	Yes	£5026
BASIA210G	1960	1220	1155	1917x770	+1/+10	579	215	230/50HZ	8.1 (kWh/24h)	R290	Yes	£5710
BASIA250G	2580	1220	1155	2457x770	+1/+10	727	290	230/50HZ	10.2 (kWh/24h)	R290	Yes	£6962

Optional Extras:

303	20mm Grey granite worktop (per meter)	£100	1017	2/4 Gastronorm container (100 deep)	£80
3002	Castors (per meter)	£250	501	Additional socket	£80
5002	Different front panel colour (per meter)	£100	333	Small moveable table for scales or cash register	£290
5003	Different base panel colour (per meter)	£30	3006	Additional LED light on the front base panel (per meter)	£120



Basia - Bemar

Gastronorm Bain Marie Display Counter
Multiplexable Device

**2 years
parts
warranty**



+30/+90

NEW



Up to 1.4m comes with 1 x 13AMP plug, 1.7 and above come with 2 x 13AMP plug

Standard features:

GN Containers are not included - please refer to page 133

- External housing made of white coated steel
- Acid resistant stainless steel decking, prepared for GN containers
- Stainless steel worktop
- Anodised aluminium profiles in silver
- Oven light bulbs
- Water level sensor
- Device levelling legs
- Temperature regulator
- Single phase wet well
- Factory order 6-8 weeks delivery
- Standard colour in white

Model	Width (mm)	Height (mm)	Depth (mm)	Display Area (W x D)mm	Temp Range (°c)	Power (w)	Weight (kg)	Voltage	Energy Consumption	RRP
BASIA110H	1020	1220	1155	1040x770	+30/+90	2208	147	230/50HZ	5.4 (kWh/24h)	£3453
BASIA140H	1330	1220	1155	1287x770	+30/+90	3062	187	230/50HZ	7.4 (kWh/24h)	£3865
BASIA170H	1650	1220	1155	1587x770	+30/+90	4152	227	230/50HZ	10 (kWh/24h)	£4720
BASIA210H	1960	1220	1155	1917x770	+30/+90	4966	281	230/50HZ	12 (kWh/24h)	£5405
BASIA250H	2580	1220	1155	2457x770	+30/+90	6056	334	230/50HZ	14.5 (kWh/24h)	£6512

Optional Extras:

303	20mm Grey granite worktop (per meter)	£100	1017	2/4 Gastronorm container (100 deep)	£80
3002	Castors (per meter)	£250	3003	3 phase supply	£240
5002	Different front panel colour (per meter)	£100	321	Electronic temp. recorder, software & wire	£170
5003	Different base panel colour (per meter)	£30	333	Small moveable table for scales or cash register	£290
333	Small moveable table for scales or cash register	£290	3006	Additional LED light on the front base panel (per meter)	£120

**2 years
parts
warranty**

Basia - Fish
Serve Over Counter
Multiplexable Device

IGLOO



+1/+10

NEW



Standard features:

- Static cooling
- 13AMP supply
- Electronic temperature controller with digital display
- Exterior powder coated white paint with coloured trim
- Stainless steel worktop
- White LED lighting
- Auto defrost
- Curved front glass
- Compressor on built in rails
- Refrigerated understorage in stainless steel
- ABS side panels
- Acid resistant stainless steel decking
- Rear sliding perspex doors
- White LED lighting
- Suitable for use in ambient temp. up to 25°C & 65% RH
- Factory order 6-8 weeks delivery
- Condensor or fan failure alarm
- Standard colour in white

Model	Width (mm)	Height (mm)	Depth (mm)	Temp Range (°C)	Power (w)	Weight (kg)	Voltage	Energy Consumption	Refrigerant	Auto Defrost	RRP
BASIA110F	1020	1220	1155	+1/+10	236	150	230/50HZ	3.3 (kWh/24h)	R290	Yes	£3649
BASIA140F	1330	1220	1155	+1/+10	333	175	230/50HZ	4.8 (kWh/24h)	R290	Yes	£4131
BASIA170F	1650	1220	1155	+1/+10	341	205	230/50HZ	6.4 (kWh/24h)	R290	Yes	£5045
BASIA210F	1960	1220	1155	+1/+10	501	230	230/50HZ	7.0 (kWh/24h)	R290	Yes	£5886
BASIA250F	2580	1220	1155	+1/+10	570	300	230/50HZ	8.0 (kWh/24h)	R290	Yes	£7001

Optional Extras:

303	20mm Grey granite worktop (per meter)	£100	1202	Fixed partition (high glass on decking) per meter	£120
3002	Castors (per meter)	£250	566	Meat temperature range -2/+4 (per unit)	£77
5002	Different front panel colour (per meter)	£100	333	Small moveable table for scales or cash register	£290
5003	Different base panel colour (per meter)	£30	3006	Additional LED light on the front base panel (per meter)	£120



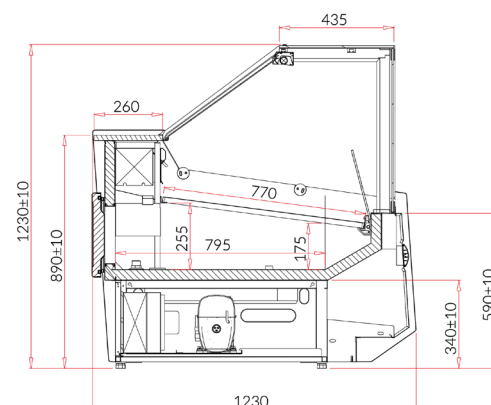
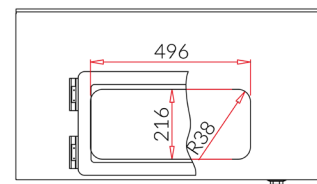
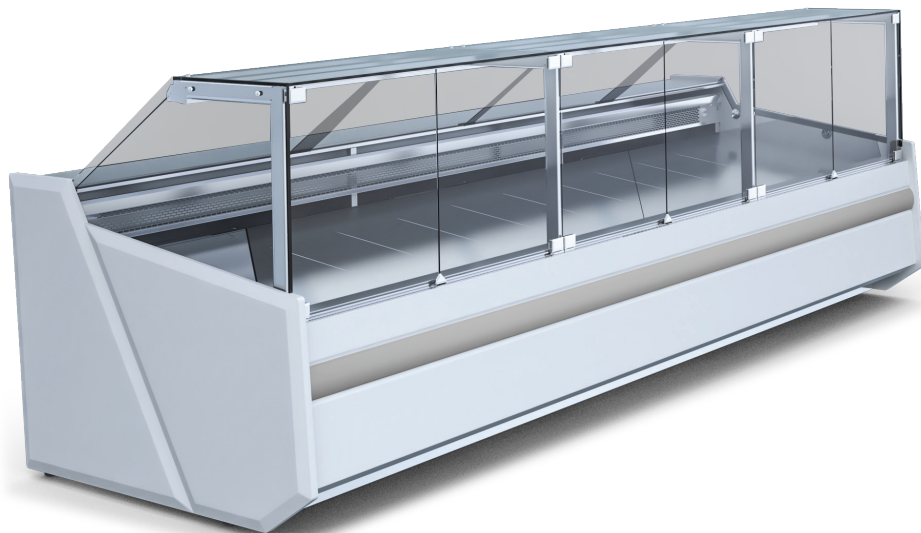
Samos

Serve Over Counter
Multiplexable Device

**2 years
parts
warranty**



+1/+10



Up to 1.4m have one under storage door, 1.7m and above have 2 under storage doors. The under storage door dimensions are W49.5 x H220mm

* PLEASE NOTE: 3.0 & 3.4m units are customer collection from our warehouse or price on application for delivery

Standard Features:

- Static cooling
- 13AMP supply
- Electronic temperature controller with digital display
- Base and front panel made of white coated steel
- Grey granite worktop
- LED light
- Auto defrost
- Front glass with telescopic lifting system
- Compressor on built in rails for easy servicing
- Storage chamber made of stainless steel
- Storage chamber back doors hinged
- Display decking made of stainless steel
- Ambient shelf
- Rear sliding perspex doors
- Factory order 6-8 weeks
- Suitable for use in ambient temp. up to 25°C & 65%RH

Model	Width (mm)	Height (mm)	Depth (mm)	Temp Range (°c)	Power (w)	Weight (kg)	Voltage	Energy Consumption	Refrigerant	Auto Defrost	RRP
SA220	1020	1230+/-10	1230	+1/+10	286	130	230/50HZ	4.0 (kWh/24h)	R290	Yes	£4541
SA230	1330	1230+/-10	1230	+1/+10	290	140	230/50HZ	4.1 (kWh/24h)	R290	Yes	£5023
SA240	1645	1230+/-10	1230	+1/+10	365	170	230/50HZ	5.1 (kWh/24h)	R290	Yes	£5969
SA250	1960	1230+/-10	1230	+1/+10	445	200	230/50HZ	6.2 (kWh/24h)	R290	Yes	£6913
SA260	2580	1230+/-10	1230	+1/+10	604	260	230/50HZ	8.5 (kWh/24h)	R290	Yes	£8771

Optional Extras:

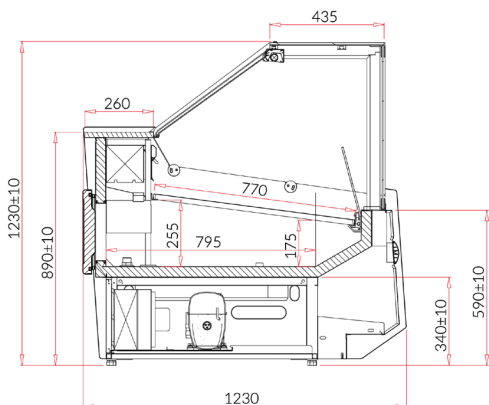
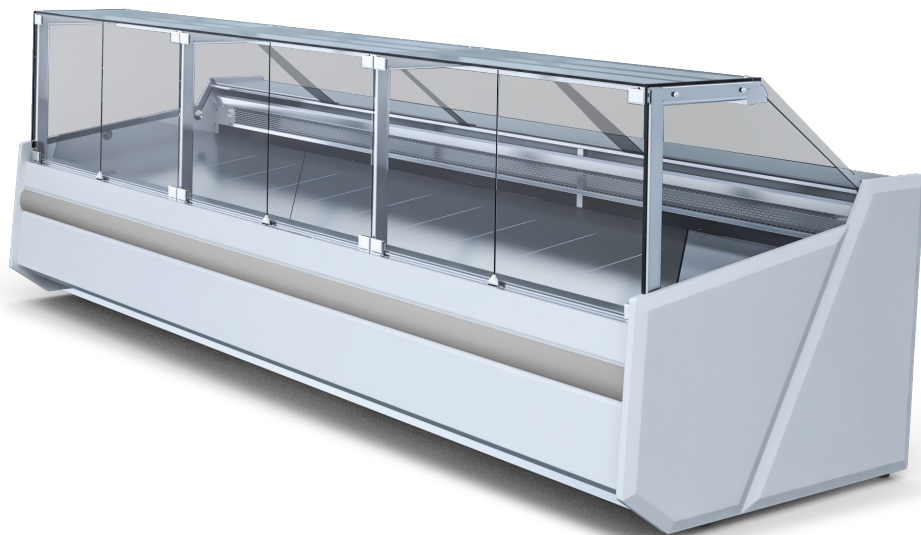
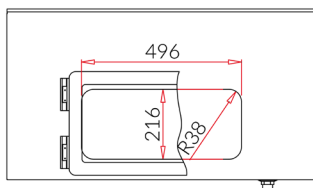
1203	Top fixed partition (high glass in exposition area)	£140	5002	Different front panel colour (per meter)	£100
903	Front panel made of stainless steel (per meter)	£360	5003	Different base colour (per meter)	£30
909	Base made of stainless steel (per meter)	£120	1304	Exposition area made of acid resistant stainless steel	£160
1111	Stepped exposition area (2 steps)	£100	1131	Stepped exposition area (3 steps)	£120
301	20mm Balmoral granite worktop (per meter)	£120	302	20mm Black granite worktop (per meter)	£290
1201	Moveable partition (low glass on stand, placed in exposition area)	£120	123	Multiplexing (per unit)	+10%
3006	Additional LED light on the front base panel (per meter)	£120	333	Small moveable table for scales or cash register	£290

**2 years
parts
warranty**

Samos Meat
Serve Over Counter
Multiplexable Device



-2/+4



Up to 1.4m have one under storage door, 1.7m and above have 2 under storage doors. The under storage door dimensions are W49.5 x H220mm

* PLEASE NOTE: 3.0 & 3.4m units are customer collection from our warehouse or price on application for delivery

Standard features:

- Static cooling
- 13AMP supply
- Electronic temperature controller with digital display
- Base and front panel made of white coated steel
- Grey granite worktop
- LED light
- Auto defrost
- Front glass with telescopic lifting system
- Compressor on built in rails for easy servicing
- Storage chamber made of stainless steel
- Storage chamber back doors hinged
- Display decking made of stainless steel
- Rear sliding perspex doors
- Ambient shelf
- Suitable for use in ambient temp. up to 25°C & 65%RH
- Factory order 6-8 weeks delivery
- 770mm display depth

Model	Width (mm)	Height (mm)	Depth (mm)	Temp Range (°c)	Power (w)	Weight (kg)	Voltage	Energy Consumption	Refrigerant	Auto Defrost	RRP
SA220M	1020	1230+/-10	1230	-2/+4	286	130	230/50HZ	4.1 (kWh/24h)	R290	Yes	£4865
SA230M	1330	1230+/-10	1230	-2/+4	290	140	230/50HZ	4.1 (kWh/24h)	R290	Yes	£5427
SA240M	1645	1230+/-10	1230	-2/+4	365	170	230/50HZ	5.7 (kWh/24h)	R290	Yes	£6474
SA250M	1960	1230+/-10	1230	-2/+4	445	200	230/50HZ	7.7 (kWh/24h)	R290	Yes	£7522
SA260M	2580	1230+/-10	1230	-2/+4	604	260	230/50HZ	8.9 (kWh/24h)	R290	Yes	£9581

Optional Extras:

1203	Top fixed partition (high glass exposition area)	£140	5002	Different front panel colour (per meter)	£100
903	Front panel made of stainless steel (per meter)	£360	5003	Different base colour (per meter)	£30
909	Base made of stainless steel (per meter)	£120	1304	Exposition area made of acid resistant stainless steel	£160
1111	Stepped exposition area (2 step)	£100	1131	Stepped exposition area (3 steps)	£120
301	20mm Balmoral granite worktop (per meter)	£120	302	20mm Black granite worktop (per meter)	£290
333	Small moveable table for scales or cash register	£290	3002	Castors (per meter)	£250
1201	Moveable partition (low glass on stand, placed in exposition area)	£120	333	Small moveable table for scales or cash register	£290
123	Multiplexing (per unit)	+10%	3006	Additional LED light on the front base panel (per meter)	£120



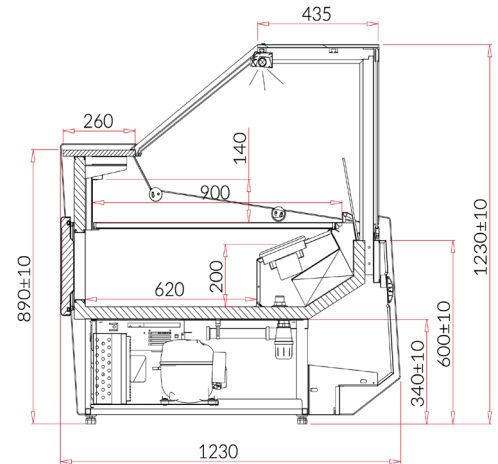
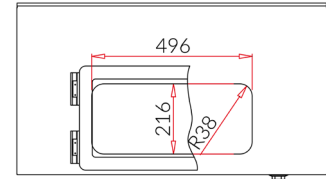
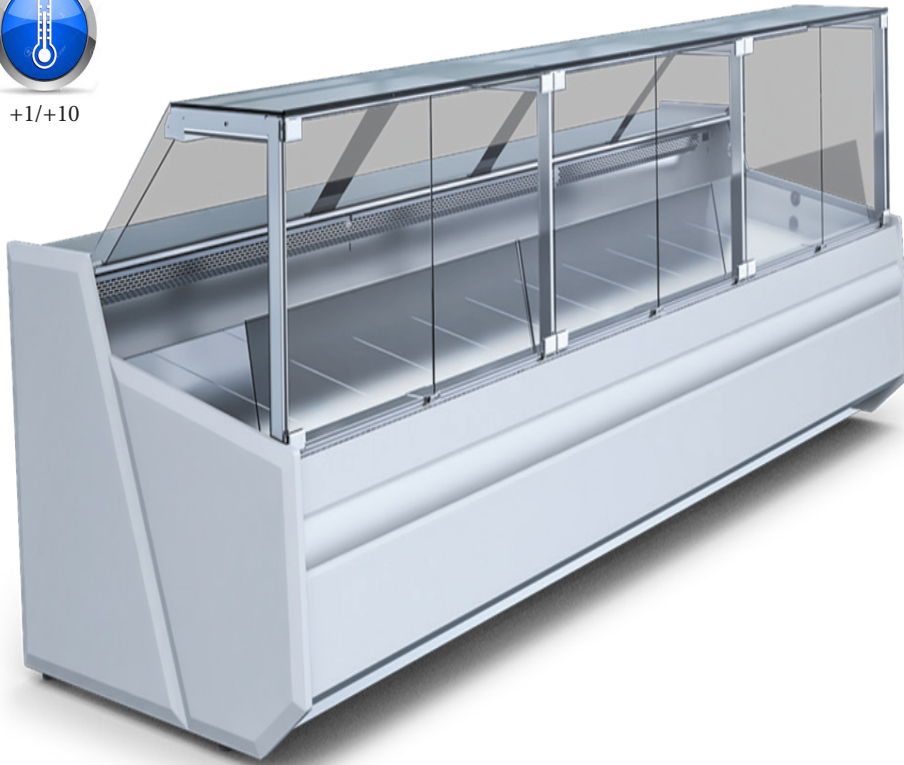
Samos Deep

Serve Over Counter
Multiplexable Device

**2 years
parts
warranty**



+1/+10



Up to 1.4m have one under storage door, 1.7m and above have 2 under storage doors. The under storage door dimensions are W49.5 x H220mm

* PLEASE NOTE: 3.0 & 3.4m units are customer collection from our warehouse or price on application for delivery

Standard features:

- Ventilated cooling
- 13AMP supply
- Electronic temperature controller with digital display
- Base and front panel made of white coated steel
- Grey granite worktop
- LED light
- Auto defrost
- Front glass with telescopic lifting system
- Compressor on built in rails for easy servicing
- Storage chamber made of stainless steel
- Storage chamber back doors hinged
- Display decking made of stainless steel
- Rear sliding perspex doors
- Ambient shelf
- Suitable for use in ambient temp. up to 25°C & 65%RH
- Factory order 6-8 weeks delivery
- 900mm deep decking

Model	Width (mm)	Height (mm)	Depth (mm)	Temp Range (°c)	Power (w)	Weight (kg)	Voltage	Energy Consumption	Refrigerant	Auto Defrost	RRP
SA220WG	1020	1230+/-10	1230	+1/+10	320	110	230/50HZ	4.5 (kWh/24h)	R290	Yes	£5017
SA230WG	1330	1230+/-10	1230	+1/+10	406	140	230/50HZ	5.7 (kWh/24h)	R290	Yes	£5535
SA240WG	1645	1230+/-10	1230	+1/+10	411	170	230/50HZ	5.8 (kWh/24h)	R290	Yes	£6540
SA250WG	1960	1230+/-10	1230	+1/+10	604	200	230/50HZ	8.5 (kWh/24h)	R290	Yes	£7608
SA260WG	2580	1230+/-10	1230	+1/+10	680	260	230/50HZ	9.5 (kWh/24h)	R290	Yes	£9525

Optional Extras:

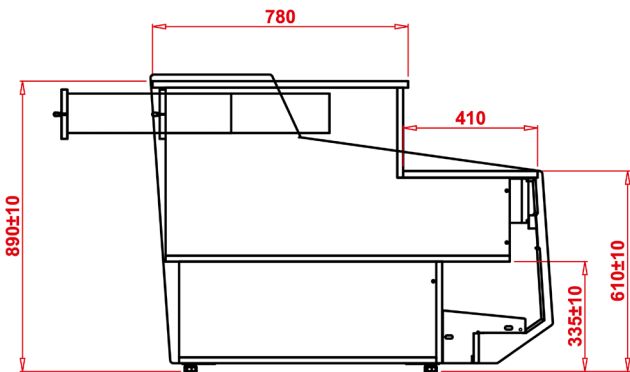
1203	Top fixed partition (high glass in exposition area)	£140	5002	Different front panel colour (per meter)	£100
903	Front panel made of stainless steel (per meter)	£360	5003	Different base colour (per meter)	£30
909	Base made of stainless steel (per meter)	£120	1304	Exposition area made of acid resistant stainless steel	£160
1111	Stepped exposition area (2 steps)	£100	1131	Stepped exposition area (3 steps)	£120
333	Small moveable table for scales or cash register	£290	302	20mm Black granite worktop (per meter)	£290
1201	Moveable partition (low glass on stand, placed in exposition area)	£120	3002	Castors (per meter)	£250
3006	Additional LED light on the front base panel (per meter)	£120	301	20mm Balmoral granite worktop (per meter)	£120

**2 years
parts
warranty**

Samos Counter

Ambient Checkout Counter

IGLOO



Standard features:

- External housing made of coloured coated steel
- Drawer (not on LADA 0.5 model)
- 20mm Grey granite worktop
- Front bumper
- Socket with fuse

Model	Width (mm)	Height (mm)	Depth (mm)	Weight (kg)	RRP
LS/SA2/500	500	890+/-10	1230	65	£1237
LS/SA2/1000	1000	890+/-10	1230	89	£1845
LS/SA2/1500	1500	890+/-10	1230	105	£2565

Optional Extras:

303	Grey granite top thickness 20mm (per meter)	£100
5002	Different front panel (per meter)	£100
5003	Different base panel colour (per meter)	£30

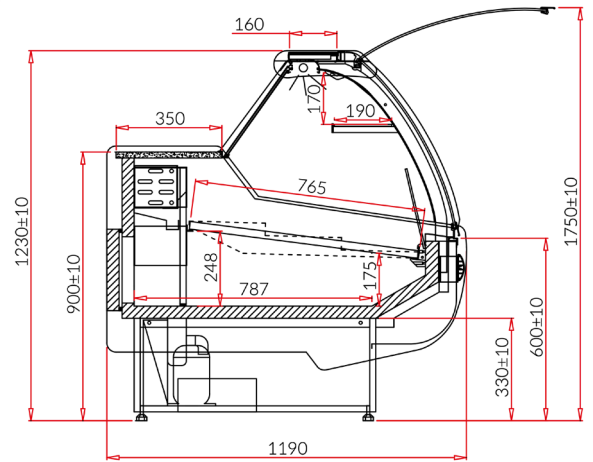
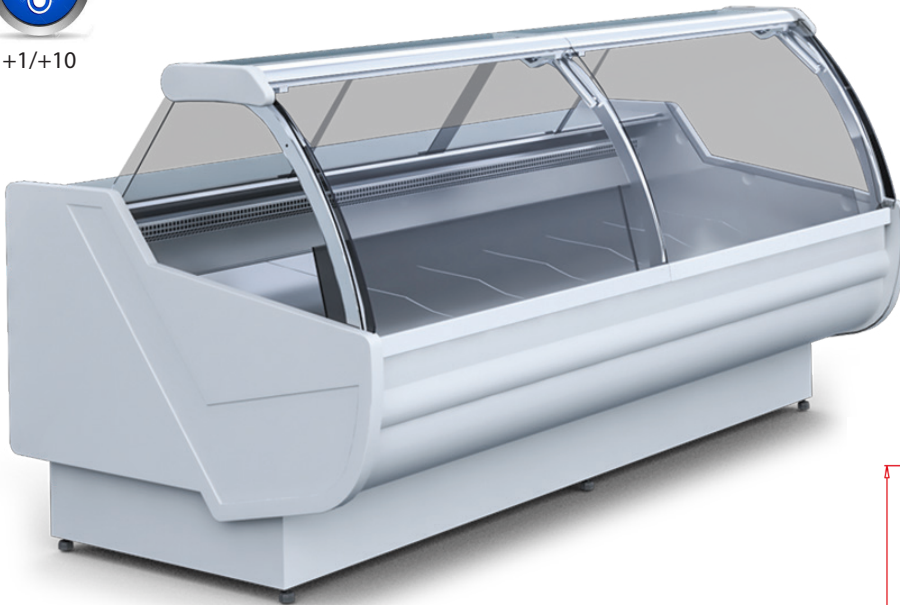
Santiago

Serve Over Counter
Multiplexable Device

**2 years
parts
warranty**



+1/+10



Standard features:

- Static cooling
- 13 AMP supply
- Electronic temperature controller with digital display
- Exterior powder coated white paint with colour trim
- Grey granite worktop
- LED lighting (meat colour)
- Auto defrost
- Curved front glass with telescopic system
- Compressor on built in rails for easy servicing
- Stainless steel refrigerated under storage
- Sides in ABS with polyurethane
- Stainless steel decking
- Rear sliding perspex doors
- Front glass defogger
- Suitable for use in ambient temp. up to 25°C & 65% RH
- Wood finish available (POA)
- Factory order 6-8 weeks delivery

Model	Width (mm)	Height (mm)	Depth (mm)	Temp Range (°C)	Power (w)	Weight (kg)	Voltage	Energy Consumption	Refrigerant	Auto Defrost	RRP
SAN1.1S	1040	1225+/-10	1190	+1/+10	237	145	230/50HZ	3.3 (kWh/24h)	R290	Yes	£3820
SAN1.4S	1370	1225+/-10	1190	+1/+10	248	195	230/50HZ	3.5 (kWh/24h)	R290	Yes	£4283
SAN1.7S	1670	1225+/-10	1190	+1/+10	333	220	230/50HZ	5.3 (kWh/24h)	R290	Yes	£5143
SAN2.1S	2000	1225+/-10	1190	+1/+10	508	295	230/50HZ	8.1 (kWh/24h)	R290	Yes	£5976
SAN2.5S	2540	1225+/-10	1190	+1/+10	605	395	230/50HZ	8.7 (kWh/24h)	R290	Yes	£7018
SANNWS	1380	1225+/-10	1190	+1/+10	227	200	230/50HZ	3.6 (kWh/24h)	R290	Yes	£6684
SANNZW	1380	1225+/-10	1190	+1/+10	341	175	230/50HZ	5.5 (kWh/24h)	R290	Yes	£7976

Optional Extras:

3002	Castors (per meter)	£250	1111	2 Step decking area (per meter)	£80
321	Electronic temp. recorder, software & wire	£170	1112	Glass shelf (per meter) except corner units	£120
1203	Top fixed partition	£120	1131	3 Step decking area (per meter)	£120
3006	Additional LED light on the front base panel (per meter)	£120	333	Small moveable table for scales or cash register	£290

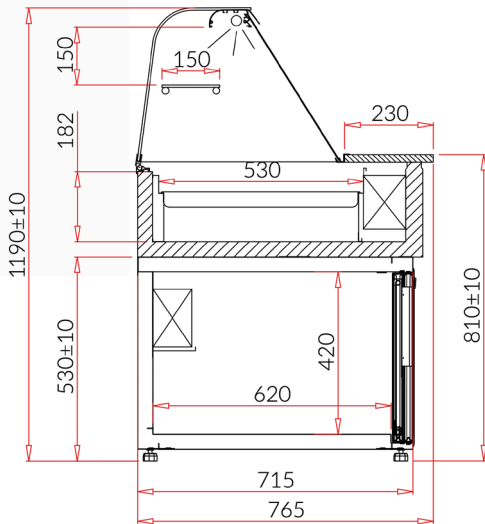
**2 years
parts
warranty**

Casia - Cold
Gastronorm Saladette

IGLOO



+2/+8



Standard features:

GN Containers are not included - please refer to page 133

- Static cooling
- 13 AMP supply
- Electronic temperature controller with digital display
- Stainless steel exterior
- Stainless steel worktop
- White LED lighting
- Auto defrost evaporation
- Front curved glass
- Compressor on built in rails for easy servicing
- Refrigerated understorage with sliding doors
- Acid resistant stainless steel deck, prepared for GN containers
- Rear sliding perspex doors
- Adjustable legs
- Suitable for use in ambient temp. up to 25°C & 65% RH

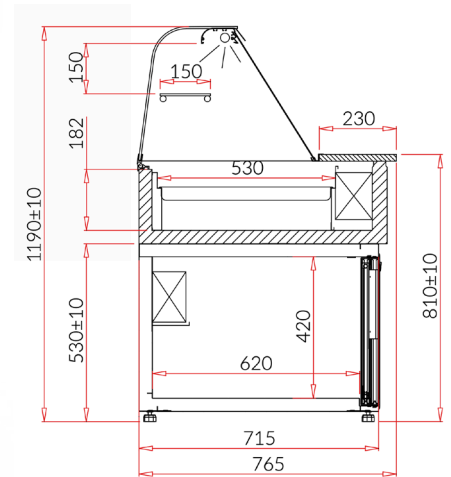
Model	Width (mm)	Height (mm)	Depth (mm)	Temp Range (°C)	GN Configuration	Weight (kg)	Voltage	Energy Consumption	Refrigerant	Auto Defrost	RRP
CASIA1	990	1190+/-10	765	+2/+8	2 x 1/1 + 3 x 1/4	75	230/50HZ	4.5 (kWh/24h)	R290	Yes	£3153
CASIA1.3	1300	1190+/-10	765	+2/+8	3 x 1/1 + 2 x 1/4	95	230/50HZ	4.5 (kWh/24h)	R290	Yes	£3803
CASIA1.5	1500	1190+/-10	765	+2/+8	4 x 1/1	110	230/50HZ	4.6 (kWh/24h)	R290	Yes	£4352
CASIA1.7	1700	1190+/-10	765	+2/+8	4 x 1/1 + 2 x 1/4	125	230/50HZ	4.7 (kWh/24h)	R290	Yes	£4683
CASIA1.9	1950	1190+/-10	765	+2/+8	4 x 1/1 + 2 x 1/4	135	230/50HZ	4.7 (kWh/24h)	R290	Yes	£5084

Optional Extras:

1112	Glass shelf (per meter)	£120	3002	Castors (per meter)	£250
-------------	-------------------------	------	-------------	---------------------	------



+30/+60



Standard features:

GN Containers are not included - please refer to page 133

- 13AMP supply
- Thermostat heat control
- Stainless steel exterior
- Stainless steel worktop
- Front curved glass
- White coated steel understorage with sliding doors
- Acid resistant stainless steel decking, prepared for GN containers
- Water well (Bain Marie)
- Rear sliding perspex doors
- Auto condensation
- Low water level alarm system
- Device levelling legs

Model	Width (mm)	Height (mm)	Depth (mm)	Temp Range (°c)	GN Configuration	Weight (kg)	Voltage	Energy Consumption	Auto Defrost	RRP
CASIA1H	990	1190+/-10	850	+30/+60	2 x 1/1 + 3 x 1/4	70	230/50HZ	22.7 (kWh/24h)	Yes	£3821
CASIA1.3H	1300	1190+/-10	850	+30/+60	3 x 1/1 + 2 x 1/4	80	230/50HZ	22.9 (kWh/24h)	Yes	£4671
CASIA1.5H	1500	1190+/-10	850	+30/+60	4 x 1/1	90	230/50HZ	22.9 (kWh/24h)	Yes	£5352
CASIA1.7H	1700	1190+/-10	850	+30/+60	4 x 1/1 + 2 x 1/4	105	230/50HZ	22.9 (kWh/24h)	Yes	£5814

Optional Extras:

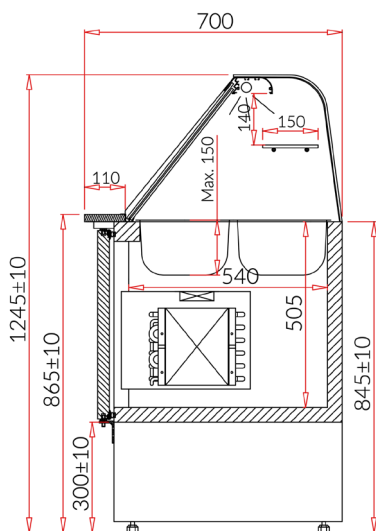
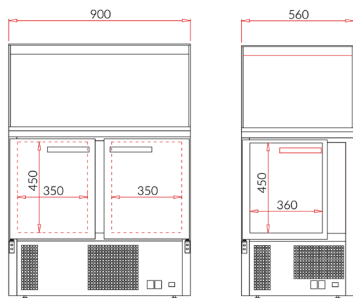
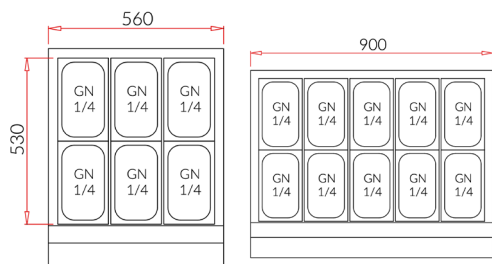
1112	Glass shelf (per meter)	£120	3002	Castors (per meter)	£250
-------------	-------------------------	------	-------------	---------------------	------

**2 years
parts
warranty**

Ibiza
Gastronorm Saladette



+2/+8



Standard features:

GN Containers are not included - please refer to page 133

- Ventilated cooling
- 13 AMP cooling
- Electronic temperature controller with digital display
- Polyurethane worktop
- White LED lighting
- Auto defrost evaporation
- Curved front glass
- Compressor on built in rails for easy servicing
- Refrigerated understorage
- Rear sliding perspex doors
- Understorage hinged rear doors
- Frame prepared for GN containers
- Device levelling legs
- Suitable for use in ambient temp. up to 25°C & 65% RH

Model	Width (mm)	Height (mm)	Depth (mm)	Temp Range (°c)	GN Configuration	Power (W)	Weight (kg)	Voltage	Energy Consumption	Refrigerant	Auto Defrost	RRP
IBIZA60	560	1245+/-10	700	+2/+8	6 x 1/4	144	65	230/50HZ	2.0 (kWh/24h)	R290	Yes	£2541
IBIZA90	900	1245+/-10	700	+2/+8	10 x 1/4	208	75	230/50HZ	2.9 (kWh/24h)	R290	Yes	£2995

Optional Extras:

1112	Additional shelf (per meter)	£135	307	Stainless steel worktop (per meter)	£120
3002	Castors (per meter)	£250	606	External housing made of stainless steel (per meter)	£120
654	Different external colour option	£220			



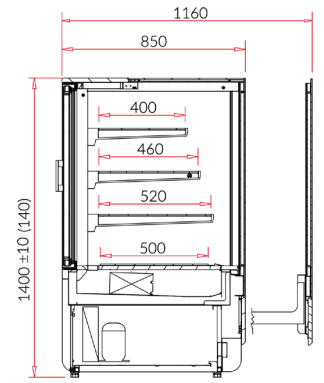
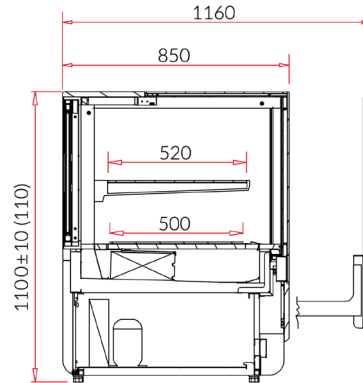
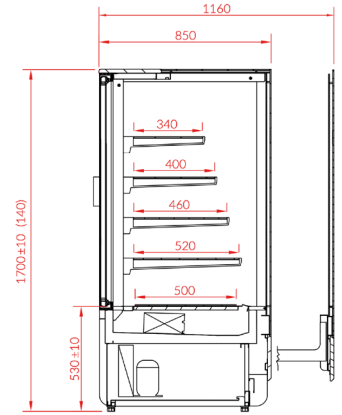
Innova

Patisserie Case
Multiplexable Device

**2 years
parts
warranty**



+2/+15



Standard features:

- Internal cooling aggregate
- Dynamic cooling with automatic defrost
- Innovative system of withdrawable front with electromagnetic lock
- External wooden panels
- Wooden worktop
- Bottom shelf made of stainless steel
- Height and angle adjustable glass shelves
- Back sliding door with combined glass (hinged door with glass on INN70)
- Kick plinth made of stainless steel
- Base from staff side made of black coated stainless steel
- LED lighting
- Electric temperature controller with digital display
- Suitable for use in ambient temp. up to 25°C & 65%RH
- Standard colour in black

Model	Width (mm)	Height (mm)	Depth (mm)	Temp Range (°c)	Power (W)	Weight (kg)	Voltage	Energy Consumption	Refrigerant	Auto Defrost	RRP
INN70.110	700	1100+/-10	850	+2/+15	460	90	230/50Hz	4.1 (kWh/24h)	R290	Yes	£5424
INN.100.110	1000	1100+/-10	850	+2/+15	727	140	230/50Hz	7.7 (kWh/24h)	R290	Yes	£6422
INN.140.110	1400	1100+/-10	850	+2/+15	1026	185	230/50Hz	11.2 (kWh/24h)	R290	Yes	£7542
INN.70.140	700	1400+/-10	850	+2/+15	460	130	230/50Hz	4.1 (kWh/24h)	R290	Yes	£6161
INN.100.140	1000	1400+/-10	850	+2/+15	727	180	230/50Hz	7.7 (kWh/24h)	R290	Yes	£7174
INN.140.140	1400	1400+/-10	850	+2/+15	1026	210	230/50Hz	11.2 (kWh/24h)	R290	Yes	£8384

Optional Extras:

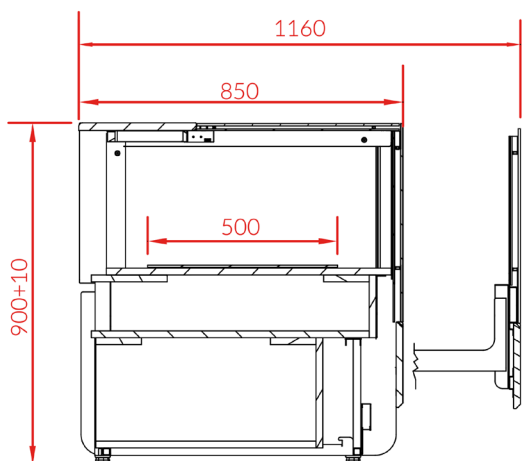
303	Grey granite worktop (20mm) per meter	£100	505	Humidity control system	£380
301	Balmoral granite worktop (20mm) per meter	£120	555	Illuminated shelf (per meter)	£200
302	Black granite worktop (20mm) per meter	£290	3006	Additional LED light on the front base panel (per meter)	£120
3002	Castors (per meter)	£250			

**2 years
parts
warranty**

Innova Counter

Ambient check out counter with glass

IGLOO



Standard features:

- External glass elements made of combined glass with black silkscreen
- Innovative system of withdrawable front with electromagnetic lock
- Wooden Exterior
- Wooden worktop
- Bottom shelf made of stainless steel
- Kick plinth made of stainless steel
- Bottom wooden housing in black
- LED lighting on the front glass frame
- Single socket with fuse
- Factory order 6-8 weeks delivery
- Standard colour in black

Model	Width (mm)	Height (mm)	Depth (mm)	Power (W)	Voltage	RRP
INN-LS70	700	900+/-10	850	19.8	230/50Hz	£4000
INN-LS100	1000	900+/-10	850	26.4	230/50Hz	£4407
INN-LS140	1400	900+/-10	850	39.6	230/50Hz	£4913

Optional Extras:

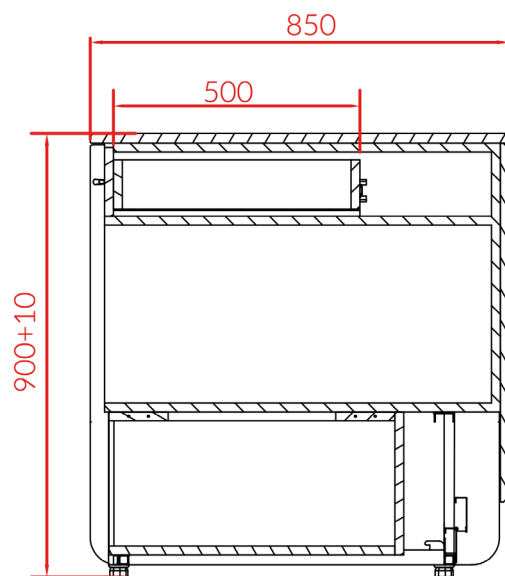
3002	Castors (per meter)	£250	302	20mm Black granite worktop (per meter)	£290
301	20mm Balmoral granite worktop (per meter)	£100	3006	Additional LED light on the front base panel (per meter)	£120
303	20mm Grey granite worktop (per meter)	£120			



Innova Counter

Ambient check out counter

**2 years
parts
warranty**



Standard features:

- Wooden worktop
- Kick plinth made of stainless steel
- Double socket with fuse
- Wooden drawer
- Wooden housing in black
- Factory order 6-8 weeks delivery

Model	Width (mm)	Height (mm)	Depth (mm)	RRP
INN-LS-P70	700	900+/-10	850	£1981
INN-LS-P100	1000	900+/-10	850	£2291
INN-LS-P140	1400	900+/-10	850	£2437

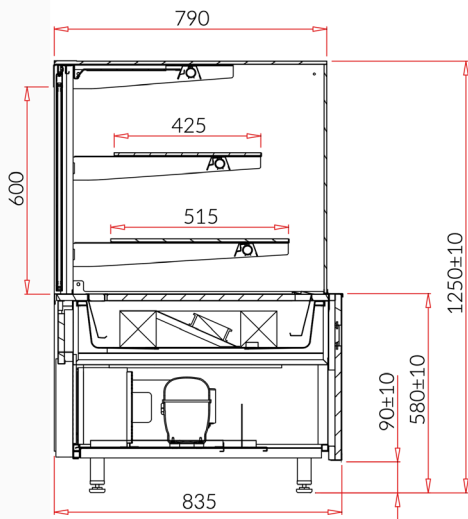
Optional Extras:

301	20mm Balmoral granite worktop (per meter)	£100	303	20mm Grey granite worktop (per meter)	£120
302	Castors (per meter)	£250	302	20mm Black granite worktop (per meter)	£290

**2 years
parts
warranty**

Gastroline Cube

Patisserie Case
Multiplexable Device



Standard features:

- Ventilated cooling
- 13AMP supply
- Electronic temperature controller with digital display
- External housing made of black coated steel
- White LED light with each shelf
- Auto defrost
- Straight front glass
- Compressor on built in rails for easy servicing
- Height and angle adjustable sloping shelves
- Back sliding doors with combined glass (0.6 hinged door)
- Front glass warm air blast
- Different laminate finishes available
- Device levelling legs
- Standard colour in black
- Suitable for us in ambient temp. up to 25°C & 65% RH

Model	Width (mm)	Height (mm)	Depth (mm)	Temp Range (°C)	Power (W)	Weight (kg)	Voltage	Energy Consumption	Refrigerant	Auto Defrost	RRP
GLC-600 CUBE	610	1270+/-10	835	+5/+15	309	90	230/50Hz	4.6 (kWh/24h)	R290	Yes	£3997
GLC-900 CUBE	910	1270+/-10	835	+5/+15	542	140	230/50Hz	7.9 (kWh/24h)	R290	Yes	£4247
GLC-1300 CUBE	1310	1270+/-10	835	+5/+15	715	185	230/50Hz	10.4 (kWh/24h)	R290	Yes	£4843
GLN-600 CUBE	610	1270+/-10	835	Ambient	21.6	80	230/50Hz	0.3 (kWh/24h)	-	-	£2341
GLN-900 CUBE	910	1270+/-10	835	Ambient	25.5	130	230/50Hz	0.4 (kWh/24h)	-	-	£2446
GLN-1300 CUBE	1310	1270+/-10	835	Ambient	51	175	230/50Hz	0.7 (kWh/24h)	-	-	£2864

Optional Extras:

321	Electronic temp. recorder, software & wire	£170	3002	Castors (per meter)	£250
3006	Additional LED light on the front base panel (per meter)	£120	505	Humidity control system	£400



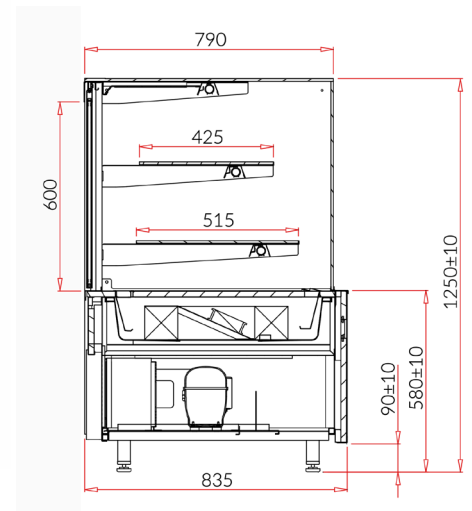
Gastroline Cube Hot

Patisserie Case
Multiplexable Device

**2 years
parts
warranty**



+30/+60



Standard features:

- Warm air circulation
- External housing made of black coated steel
- Side panels made of black coated steel
- Horizontally divided black melamine (wood) front panel, with s/s strip
- Glass exposition shelves with height and angle adjustment
- Back sliding doors with combined glass (0.6 hinged)
- Straight front glass
- Internal frame painted silver
- Standard colour in black
- Bottom shelf made of acid resistant stainless steel
- Device levelling legs
- Water level sensor
- Temperature regulator

Model	Width (mm)	Height (mm)	Depth (mm)	Temp Range (°c)	Power (W)	Weight (kg)	Voltage	Energy Consumption	RRP
GLH-600 CUBE	610	1270+/-10	835	+30/+60	780	90	230/50Hz	4.6 (kWh/24h)	£3939
GLH-900 CUBE	910	1270+/-10	835	+30/+60	780	140	230/50Hz	7.9 (kWh/24h)	£4161
GLH-1300 CUBE	1310	1270+/-10	835	+30/+60	780	185	230/50Hz	10.4 (kWh/24h)	£4715

Optional Extras:

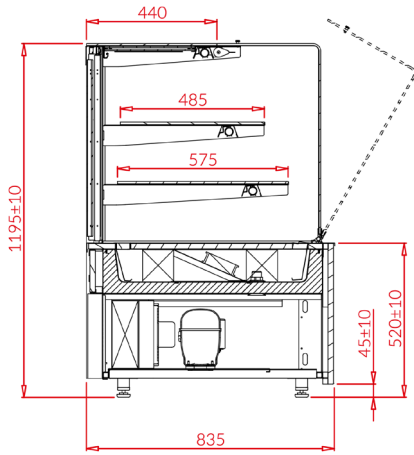
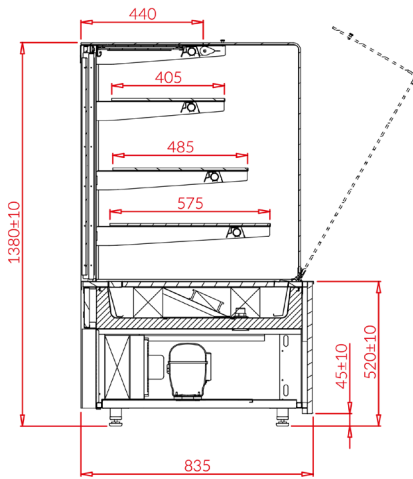
3002	Castors (per meter)	£250	3006	Additional LED light on the front base panel (per meter)	£120
-------------	---------------------	------	-------------	--	------

**2 year
parts
warranty**

Cube
Patisserie Case
Multiplexable Device



+5/+15



Standard features:

- Internal cooling aggregate
- Ventilated cooling
- External housing made of black coated steel
- Side panels made of black coated steel
- Wooden melamine front panel
- Ecological polyurethane foam insulation
- Internal frame painted silver
- 3 pieces of glass exposition shelves and height and angle adjustment placed on the frame
- Wooden bottom internal melamine shelf
- Upper LED lighting and additional illumination of each shelf
- Auto defrost evaporation
- Standard colour in black
- Electronic temp. controller with digital display
- Suitable for use in ambient temp. up to 25°C & 65%RH
- Condensor or fan failure alarm

Model	Width (mm)	Height (mm)	Depth (mm)	Temp Range (°C)	Power (w)	Weight (kg)	Voltage	Energy Consumption	Refrigerant	Auto Defrost	RRP
CU103.3	610	1380+/-10	835	+5/+15	320	96	230/50Hz	5.6 (kWh/24h)	R290	Yes	£4182
CU102.3	910	1380+/-10	835	+5/+15	558	149	230/50Hz	7.7 (kWh/24h)	R290	Yes	£4850
CU101.3	1310	1380+/-10	835	+5/+15	736	193	230/50Hz	11.4 (kWh/24h)	R290	Yes	£5479
CU103.2	610	1195+/-10	835	+5/+15	309	90	230/50Hz	4.6 (kWh/24h)	R290	Yes	£4098
CU102.2	910	1195+/-10	835	+5/+15	542	140	230/50Hz	7.9 (kWh/24h)	R290	Yes	£4723
CU101.2	1310	1195+/-10	835	+5/+15	715	180	230/50Hz	10.4 (kWh/24h)	R290	Yes	£5298

Optional Extras:

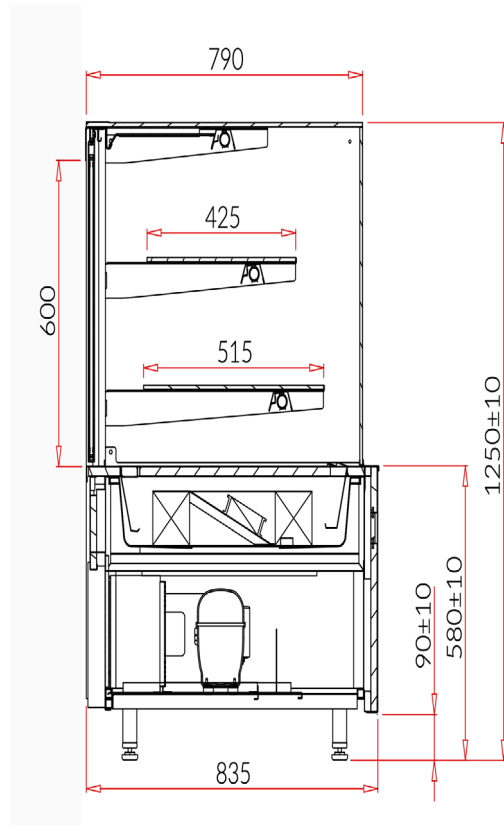
321	Electronic temp. recorder, software & wire	£170	505	Humidity control system	£400
3002	Castors (per meter)	£250	355	Wooden front panel made of veneer or trend	£320
200	Stainless steel or mirror strip on wooden front panel	£160	203	Small tray (400mm x 420mm)	£80
201	Small tray (400mm x 340mm)	£75	204	Bottom tray (400mm x 520mm)	£100
202	Medium tray (400mm x 510mm)	£75	3006	Additional LED light on the front base panel (per meter)	£120



Cube Ambient

Patisserie Case
Multiplexable Device

**2 year
parts
warranty**



Standard features:

- External housing made of black coated steel
- Side panels made of black coated steel
- Wooden melamine front panel
- Ecological polyurethane foam insulation
- Internal frame painted silver
- 3/2 pieces of glass exposition shelves and height and angle adjustment placed on the frame
- Wooden bottom internal melamine shelf
- Upper LED lighting and additional illumination of each shelf
- Electronic temp. controller with digital display
- Standard colour in black

Model	Width (mm)	Height (mm)	Depth (mm)	Power (w)	Weight (kg)	Voltage	RRP
CU103.3N	641	1380+/-10	835	21.6	86	230/50Hz	£2599
CU102.3N	910	1380+/-10	835	25.5	139	230/50Hz	£3231
CU101.3N	1310	1380+/-10	835	51	183	230/50Hz	£3809
CU103.2N	641	1195+/-10	835	91.6	80	230/50Hz	£2599
CU102.2N	910	1195+/-10	835	22.5	130	230/50Hz	£3107
CU101.2N	1310	1195+/-10	835	41	170	230/50Hz	£3628

Optional Extras:

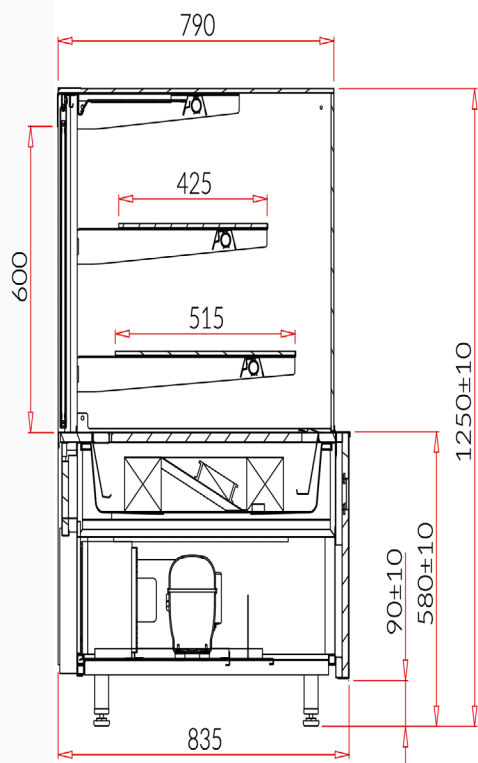
3002	Castors (per meter)	£250	355	Wooden front panel made of veneer or trend	£320
200	Stainless steel or mirror strip on front panel	£160	203	Small tray (400mm x 420mm)	£60
201	Small tray (400mm x 340mm)	£55	204	Bottom tray (400mm x 520mm)	£60
202	Medium tray (400mm x 510mm)	£75	3006	Additional LED light on the front base panel (per meter)	£120

**2 year
parts
warranty**

Cube Hot
Patisserie Case
Multiplexable Device



+30/+60



Standard features:

- External housing made of black coated steel
- Side panels made of black coated steel
- Wooden melamine front panel
- Ecological polyurethane foam insulation
- Internal frame painted silver
- 3/2 pieces of glass exposition shelves and height and angle adjustment placed on the frame
- Wooden bottom internal melamine shelf
- Upper LED lighting and additional illumination of each shelf
- Suitable for use in ambient temp. up to 25°C & 65%RH
- Standard colour in black

Model	Width (mm)	Height (mm)	Depth (mm)	Temp Range (°C)	Power (w)	Weight (kg)	Voltage	Energy Consumption	RRP
CU103.3H	610	1380+/-10	835	+30/+60	320	96	230/50Hz	4.9 (kWh/24h)	£4124
CU102.3H	910	1380+/-10	835	+30/+60	558	149	230/50Hz	8.3 (kWh/24h)	£4763
CU101.3H	1310	1380+/-10	835	+30/+60	736	193	230/50Hz	10.9 (kWh/24h)	£5354
CU103.2H	610	1195+/-10	835	+30/+60	309	90	230/50Hz	4.6 (kWh/24h)	£4041
CU102.2H	910	1195+/-10	835	+30/+60	542	140	230/50Hz	7.9 (kWh/24h)	£4636
CU101.2H	1310	1195+/-10	835	+30/+60	715	180	230/50Hz	10.4 (kWh/24h)	£5173

Optional Extras:

3002	Castors (per meter)	£250	355	Wooden front panel made of veneer or trend	£320
200	Stainless steel or mirror strip on wooden front panel	£160	203	Small tray (400mm x 420mm)	£60
201	Small tray (400mm x 340mm)	£55	204	Bottom tray (400mm x 520mm)	£90
202	Medium tray (400mm x 510mm)	£75	3006	Additional LED light on the front base panel (per meter)	£120

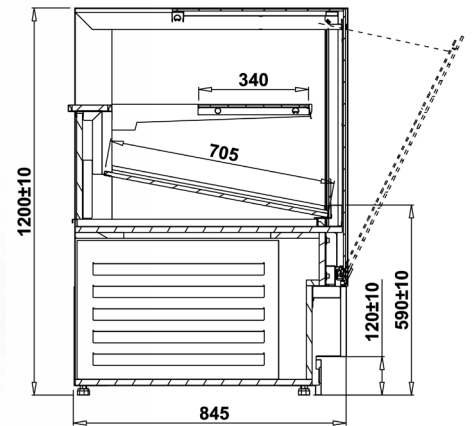
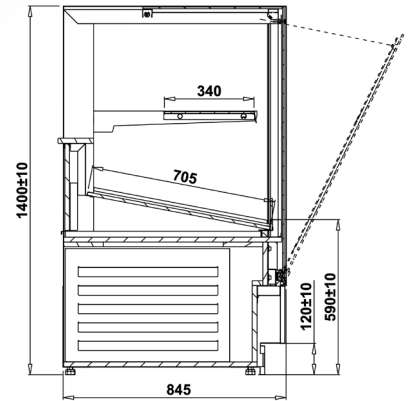


Cube 2 Bake

Ambient Pastry Display
Multiplexable Device

**2 years
parts
warranty**

NEW



Standard features:

- External housing made of black coated steel
- Side panels made of black coated steel
- Wooden melamine front panel
- Ecological polurethane foam insulation
- Internal frame painted silver
- 2/3 pieces of glass exposition shelves with angle adjustment
- Wooden bottom internal melamine shelf sloping
- Upper LED lighting
- Stainless steel crumb trays
- Front frame LED illumination
- Back sliding doors
- Standard colour black

Model	Width (mm)	Height (mm)	Depth (mm)	Temp Range (°c)	Shelves	Weight (kg)	Voltage	Energy Consumption	RRP
CU203.3NB	640	1400	845	Ambient	3	86	230/50Hz	-	£5108
CU202.3NB	940	1400	845	Ambient	3	139	230/50Hz	-	£5950
CU201.3NB	1340	1400	845	Ambient	3	183	230/50Hz	-	£6796
CU203.2NB	640	1200	845	Ambient	2	80	230/50Hz	-	£4618
CU202.2NB	940	1200	845	Ambient	2	130	230/50Hz	-	£5413
CU201.2NB	1340	1200	845	Ambient	2	170	230/50Hz	-	£6161

Optional Extras:

3002	Castors (per meter)	£250	355	Wooden front panel made of veneer or trend	£320
200	Stainless steel or mirror strip on front panel	£160	203	Small Tray (400x420mm)	£60
201	Small tray (400x340mm)	£55	204	Bottom Tray (400x520mm)	£60
202	Medium tray (400x510mm)	£75	3006	Additional LED light on front base panel (per meter)	£120

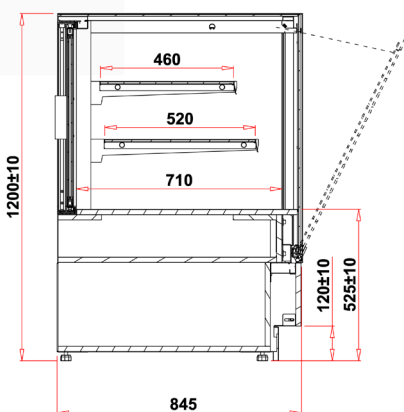
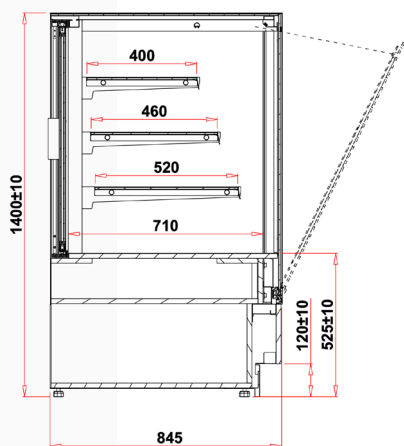
**2 years
parts
warranty**

Cube 2 Hot
Pastry Display
Multiplexable Device



+30/+60

NEW



Standard features:

- External housing made of black coated steel
- Side panels made of black coated steel
- Internal frame painted silver
- 2/3 pieces of glass exposition shelves with angle adjustment
- Wooden melamine front panel
- Back sliding doors with combine glass (Cube 0.6 Hinged door)
- Kick plate made of painted steel
- Bottom shelf made of stainless steel
- Top internal LED illumination
- Front frame LED illumination
- Standard colour black

Model	Width (mm)	Height (mm)	Depth (mm)	Temp Range (°c)	Shelves	Weight (kg)	Voltage	Energy Consumption	Refrigerant	Auto Defrost	RRP
CU203.3H	640	1400	845	+30/+60	3	96	230/50Hz	4.9 (kWh/24h)	-	-	£5068
CU202.3H	940	1400	845	+30/+60	3	149	230/50Hz	8.3 (kWh/24h)	-	-	£5867
CU201.3H	1340	1400	845	+30/+60	3	193	230/50Hz	10.9 (kWh/24h)	-	-	£6627
CU203.2H	640	1200	845	+30/+60	2	90	230/50Hz	4.6 (kWh/24h)	-	-	£4538
CU202.2H	940	1200	845	+30/+60	2	140	230/50Hz	7.9 (kWh/24h)	-	-	£5290
CU201.2H	1340	1200	845	+30/+60	2	180	230/50Hz	10.4 (kWh/24h)	-	-	£5959

Optional Extras:

3002	Castors (per meter)	£250	355	Wooden veneer/ trend front panel (per meter)	£230
200	Stainless steel or mirror strip on front panel	£160	203	Small tray (400x420mm)	£60
201	Small tray (400x340mm)	£55	204	Bottom tray (400x520mm)	£60
202	Medium tray (400x510mm)	£75			



Cube 2 Cold

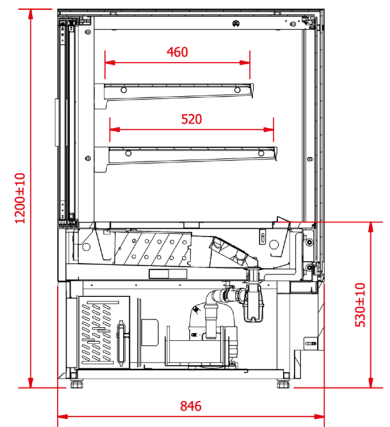
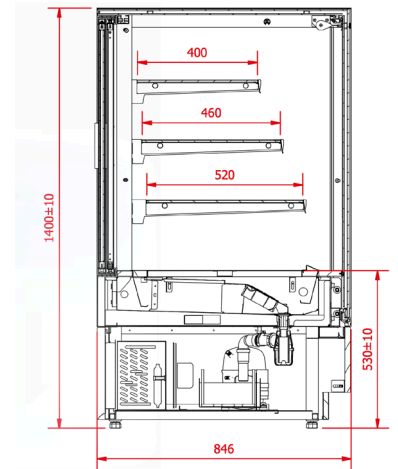
Pastry Display
Multiplexable Device

**2 years
parts
warranty**



+5/+15

NEW



Standard features:

- External housing made of black coated steel
- Side panels made of black coated steel
- Internal frame painted silver
- 2/3 pieces of glass exposition shelves with angle adjustment
- Wooden melamine front panel
- Back sliding doors with combine glass (Cube 0.6 Hinged door)
- Kick plate made of painted steel
- Bottom shelf made of stainless steel
- Top internal LED illumination
- Front frame LED illumination
- Standard colour black

Model	Width (mm)	Height (mm)	Depth (mm)	Temp Range (°c)	Shelves	Weight (kg)	Voltage	Energy Consumption	Refrigerant	Auto Defrost	RRP
CU203.3	640	1400	845	+5/+15	3	96	230/50Hz	4.9 (kWh/24h)	R290	YES	£5126
CU202.3	940	1400	845	+5/+15	3	149	230/50Hz	8.3 (kWh/24h)	R290	YES	£5954
CU201.3	1340	1400	845	+5/+15	3	193	230/50Hz	10.9 (kWh/24h)	R290	YES	£6753
CU203.2	640	1200	845	+5/+15	2	90	230/50Hz	4.6 (kWh/24h)	R290	YES	£4596
CU202.2	940	1200	845	+5/+15	2	140	230/50Hz	7.9 (kWh/24h)	R290	YES	£5377
CU201.2	1340	1200	845	+5/+15	2	180	230/50Hz	10.4 (kWh/24h)	R290	YES	£6085

Optional Extras:

3002	Castors (per meter)	£250	355	Wooden front panel made of veneer or trend	£230
200	Stainless steel or mirror strip on front panel	£160	203	Small tray (400x420mm)	£60
201	Small tray (400x340mm)	£55	204	Bottom tray (400x520mm)	£60
202	Medium tray (400x510mm)	£75	505	Humidity control system	£400

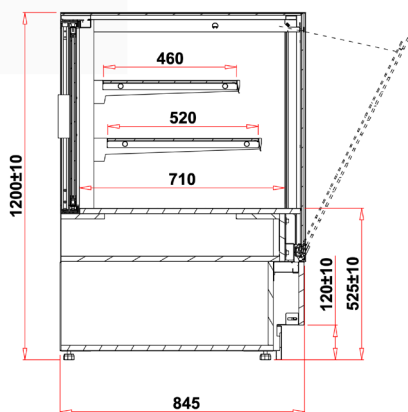
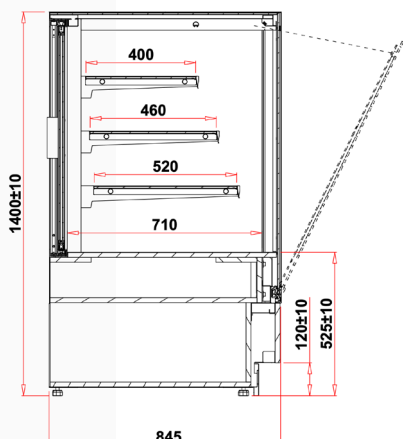
**2 years
parts
warranty**

Cube 2 Ambient

Pastry Display
Multiplexable Device

IGLOO

NEW



Standard features:

- External housing made of black coated steel
- Side panels made of black coated steel
- Internal frame painted silver
- 2/3 pieces of glass exposition shelves with angle adjustment
- Wooden melamine front panel
- Back sliding doors with combine glass (Cube 0.6 Hinged door)
- Kick plate made of painted steel
- Bottom shelf made of stainless steel
- Top internal LED illumination
- Front frame LED illumination

ttt

Model	Width (mm)	Height (mm)	Depth (mm)	Temp Range (°C)	Shelves	Weight (kg)	Voltage	RRP
CU203.3N	640	1400	845	Ambient	3	86	230/50Hz	£3928
CU202.3N	940	1400	845	Ambient	3	139	230/50Hz	£4465
CU201.3N	1340	1400	845	Ambient	3	183	230/50Hz	£5264
CU203.2N	640	1200	845	Ambient	2	80	230/50Hz	£3416
CU202.2N	940	1200	845	Ambient	2	130	230/50Hz	£3910
CU201.2N	1340	1200	845	Ambient	2	170	230/50Hz	£4592

Optional Extras:

3002	Castors (per meter)	£250	355	Wooden veneer/ trend front panel (per meter)	£230
200	Stainless steel or mirror strip on front panel	£160	203	Small tray (400x420mm)	£60
201	Small tray (400x340mm)	£55	204	Bottom tray (400x520mm)	£60
202	Medium tray (400x510mm)	£75	505		



Cube 2 Open

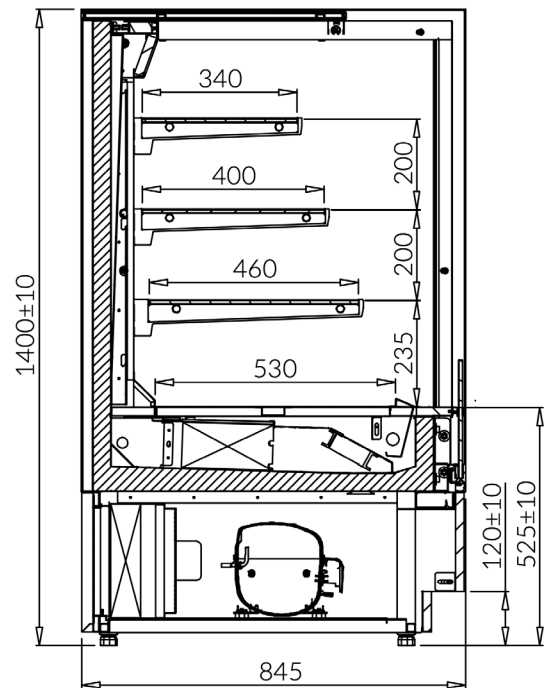
Pastry Display
Multiplexable Device

**2 years
parts
warranty**



+2/+15

NEW



Standard features:

- Dynamic cooling with automatic defrost
- External housing made of black coated steel
- Side panels made of black coated steel
- Internal frame painted silver
- 2/3 pieces of glass exposition shelves with angle adjustment
- Kick plate made of painted steel
- Bottom shelf made of stainless steel
- Top internal LED illumination
- Front frame LED illumination

Model	Width (mm)	Height (mm)	Depth (mm)	Temp Range (°C)	Shelves	Weight (kg)	Voltage	Energy Consumption	Refrigerant	Auto Defrost	RRP
CU203.3OP	640	1400	845	+2/+15	3	130	230/50Hz	7.7 (kWh/24h)	R290	Yes	£5024
CU202.3OP	940	1400	845	+2/+15	3	180	230/50Hz	10.1 (kWh/24h)	R290	Yes	£5856
CU201.3OP	1340	1400	845	+2/+15	3	210	230/50Hz	16.2 (kWh/24h)	R290	Yes	£6658
CU203.2OP	640	1200	845	+2/+15	2	90	230/50Hz	7.7 (kWh/24h)	R290	Yes	£4494
CU202.2OP	940	1200	845	+2/+15	2	140	230/50Hz	10.1 (kWh/24h)	R290	Yes	£5279
CU201.2OP	1340	1200	845	+2/+15	2	185	230/50Hz	16.2 (kWh/24h)	R290	Yes	£5983

Optional Extras:

3002	Castors (per meter)	£250	355	Wooden veneer/ trend front panel (per meter)	£230
200	Stainless steel or mirror strip on front panel	£160	203	Small tray (400x420mm)	£60
201	Small tray (400x340mm)	£55	204	Bottom tray (400x520mm)	£60
202	Medium tray (400x510mm)	£75			

**2 years
parts
warranty**

Pastella Sweet & Neutral

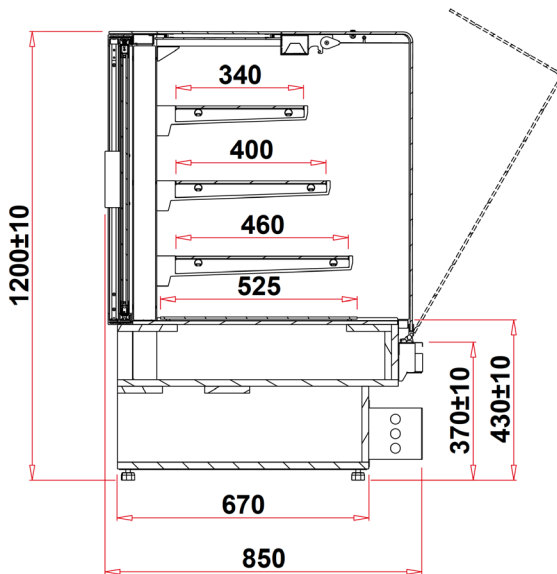
Pastry Display
Multiplexable Device

IGLOO



+4/+10

NEW



Standard features:

- **Refrigerated**
 - Electronic temperature controller with digital display
 - Condenser impurity and fan operation alarm
 - Automatic condenser vaporization
 - LED lighting for each shelf
 - Adjustable legs
- Straight front glass
- Ventilatted cooling
- External housing made of coated steel
Wooden exterior
- Side panels made of melamine plate
- 3 glass exposition shelves with height and angle adjustment
- Bottom shelf made of painted steel
- **Ambient**
 - Ambient device without cooling system
 - Straight front glass
- External housing made of coated steel
- Side panels made of melamine plate
- 3 glass exposition shelves with height and angle adjustment
- Bottom shelf made of painted steel
- Electronic temperature controller with digital display
- LED lighting for each shelf
- Adjustable legs

Model	Width (mm)	Height (mm)	Depth (mm)	Temp Range (°c)	Power (w)	Weight (kg)	Voltage	Energy Consumption	Refrigerant	Auto Defrost	RRP
PSTS60W	660	1200+/-10	850	+4/+10	480	100	230/50Hz	7.0 (kWh/24h)	R290	Yes	£4240
PSTS90W	960	1200+/-10	850	+4/+10	651	150	230/50Hz	9.4 (kWh/24h)	R290	Yes	£4977
PSTS130W	1360	1200+/-10	850	+4/+10	1059	200	230/50Hz	15.2 (kWh/24h)	R290	Yes	£5909
PSTS60N	660	1200+/-10	850	Ambient	N/A	70	230/50Hz	0.6 (kWh/24h)	N/A	N/A	£2664
PSTS90N	960	1200+/-10	850	Ambient	N/A	108	230/50Hz	0.8 (kWh/24h)	N/A	N/A	£3162
PSTS130N	1360	1200+/-10	850	Ambient	N/A	129	230/50Hz	2.0 (kWh/24h)	N/A	N/A	£3875

Optional Extras:

123	Multiplexing (per unit)	Plus 10%	505	Humidity control system	£400
321	Electronic temperature recorder, software & wire	£170	1138	Stainless steel bottom shelf (per meter)	£77
3002	Castors (per meter)	£250			



Pastella W

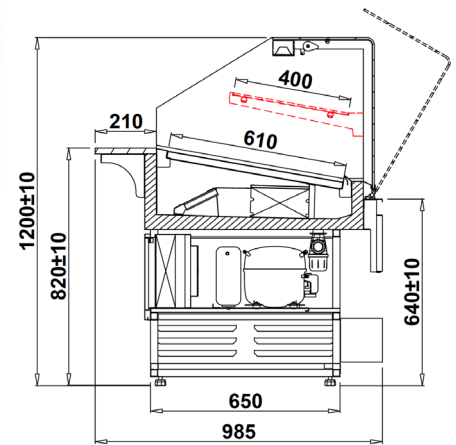
Pastry Display
Multiplexable Device

**2 years
parts
warranty**



+4/+10

NEW



Standard features:

- Ventilated cooling
- Straight front glass
- External housing made of coated steel
- Side panels made of melamine plate
- Grey granite worktop (20mm)
- Wooden melamine front panel
- Internal frame painted
- 13AMP supply
- Internal top illumination LED light
- Automatic condenser vaporization
- Electronic temperature controller with digital display
- Bakery tray rack 400x600 (0.9 none & 1.3 - 10pcs)
- Adjustable legs

Model	Width (mm)	Height (mm)	Depth (mm)	Temp Range (°c)	Weight (kg)	Voltage	Refrigerant	Auto Defrost	RRP
PST90W	930	1200+/-10	985	+4/+10	125	230/50Hz	R290	Yes	£4356
PST130W	1330	1200+/-10	985	+4/+10	170	230/50Hz	R290	Yes	£5228

Optional Extras:

123	Multiplexing (per unit)	Plus 10%	505	Humidity control system	£400
321	Electronic temperature recorder, software & wire	£170	1138	Stainless steel bottom shelf (per meter)	£77
3002	Castors (per meter)	£75			

**2 years
parts
warranty**

Pastella PG (Hot)

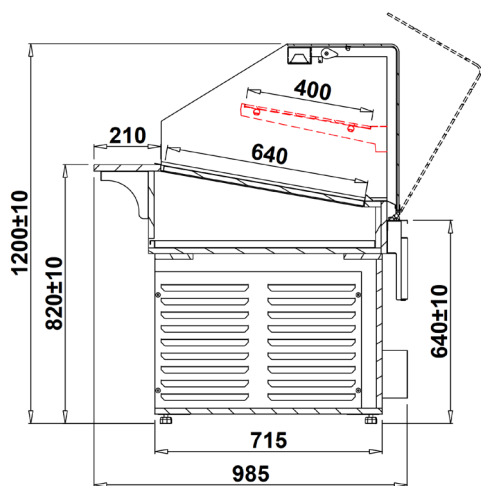
Pastry Display

Multiplexable Device



+30/+60

NEW



Standard features:

- Straight front glass
- External housing made of coated steel
- Side panels made of melamine plate
- Grey granite worktop (20mm)
- Wooden melamine front panel
- Internal frame painted
- 13AMP supply
- LED Light
- Electronic temperature controller with digital display
- Warm air circulation
- Adjustable legs

Model	Width (mm)	Height (mm)	Depth (mm)	Temp Range (°c)	Power (w)	Weight (kg)	Voltage	Energy Consumption	RRP
PST90PG	930	1200+/-10	985	+30/+60	1500	125	230/50Hz	14 (kWh/24h)	£2683
PST130PG	1330	1200+/-10	985	+30/+60	2200	170	230/50Hz	20 (kWh/24h)	£3021

Optional Extras:

123	Multiplexing (per unit)	Plus 10%	301	20mm Balmoral granite worktop (per meter)	£120
333	Small moveable table for scale or cash register	£120	321	Electronic temperature recorder, software & wire	£170
3002	Castors (per meter)	£250	302	20mm Black granite worktop (per meter)	£290



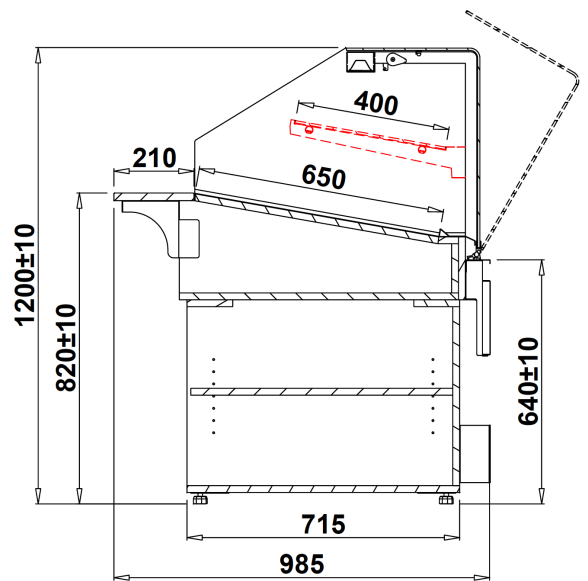
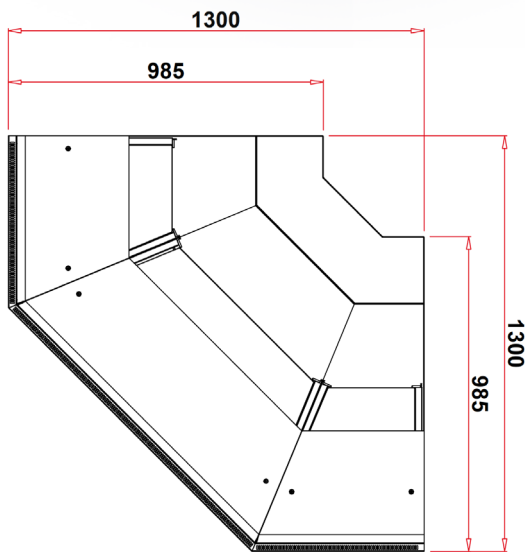
Pastella N & NZ90

Pastry Display
Multiplexable Device

**2 years
parts
warranty**



NEW



Standard features:

- Ambient device without cooling system
- LED Light
- Display space made from coated steel
- Straight front glass
- Grey granite worktop 20mm
- Internal frame painted
- 13 AMP
- Wooden melamine front panel
- Bottom housing made of black melamine

Model	Width (mm)	Height (mm)	Depth (mm)	Temp Range (°C)	Weight (kg)	Voltage	Energy Consumption	RRP
PST90N	930	1200+/-10	985	Ambient	108	230/50Hz	0.8 (kWh/24h)	£2693
PST130N	1330	1200+/-10	985	Ambient	129	230/50Hz	2.0 (kWh/24h)	£3199
PSTNZ90N	1300	1200+/-10		Ambient		230/50Hz		£5308

Optional Extras:

123	Multiplexing (per unit)	Plus 10%	302	20mm Black granite worktop (per meter)	£290
3002	Castors (per meter)	£250	301	20mm Balmoral granite worktop (per meter)	£120

**2 years
parts
warranty**

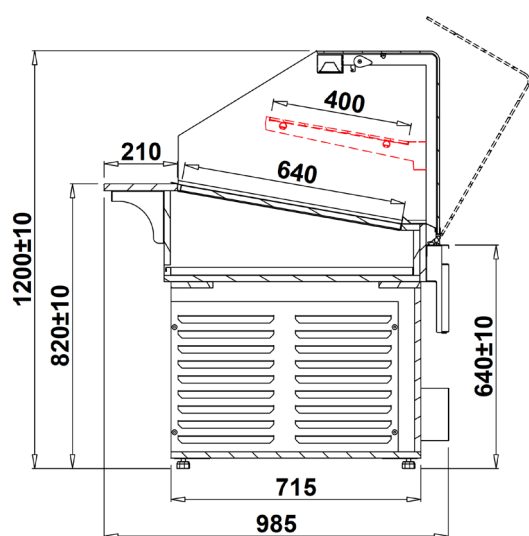
Pastella Bake Neutral

Pastry Display
Multiplexable Device

IGLOO



NEW



Standard features:

- Ambient device without cooling system
- Straight front glass
- 13 AMP
- LED Light
- Grey granite worktop 20mm
- Wooden melamine front panel
- Display space made from coated steel
- Internal frame painted
- Bottom housing made of black melamine
- Adjustable legs
- Bakery tray rack (0.9-10pcs & 1.3 - 20pcs)

Model	Width (mm)	Height (mm)	Depth (mm)	Temp Range (°c)	Weight (kg)	Voltage	Energy Consumption	RRP
PST90NB	930	1200+/-10	985	Ambient	108	230/50Hz	0.8 (kWh/24h)	£3071
PST130NB	1330	1200+/-10	985	Ambient	129	230/50Hz	2.0 (kWh/24h)	£3580
PSTNZ90NB	1300	1200+/-10	-	Ambient	165	230/50Hz	2.2 (kWh/24h)	£5704

Optional Extras:

123	Multiplexing (per unit)	Plus 10%	301	20mm Balmoral granite worktop (per meter)	£120
3002	Castors (per meter)	£250	302	20mm Black granite worktop (per meter)	£290



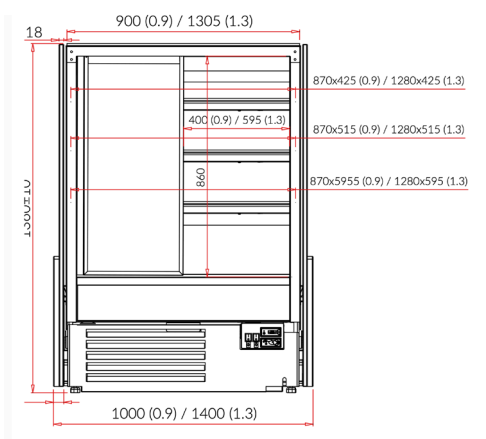
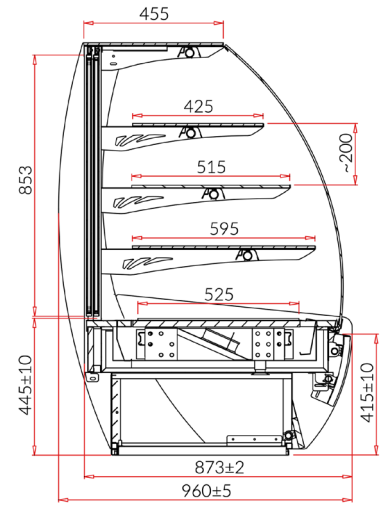
Kameleo

Pastry Case
Multiplexable Device

**2 year
parts
warranty**



+5/+15



Standard features:

- Ventilated cooling
- 13AMP supply
- Electronic temp. controller with digital display
- Confectionary colour LED light with each shelf
- Auto defrost
- Curved glass
- Compressor on built in rails for easy servicing
- Height and angle adjustable sloping shelves
- Back sliding door with double glazed glass (for KAM100w & KAM140W)
- Back hinged door with double glazed glass (for KAM70W)
- Different coloured panel options are available
- Adjustable legs
- Suitable for use in ambient temp. up to 25°C & 65% RH
- Factory order 6-8 weeks delivery
- Condensor or fan failure alarm

Model	Width (mm)	Height (mm)	Depth (mm)	Temp Range (°C)	Power (w)	Weight (kg)	Voltage	Energy Consumption	Refrigerant	Auto Defrost	RRP
KAM70W	705	1360+/-10	960	+5/+15	430	120	230/50Hz	4.7(kWh/24h)	R290	Yes	£4775
KAM100W	1005	1360+/-10	960	+5/+15	600	170	230/50Hz	8.0 (kWh/24h)	R290	Yes	£4992
KAM140W	1405	1360+/-10	960	+5/+15	930	220	230/50Hz	10.6 (kWh/24h)	R290	Yes	£5614

Optional Extras:

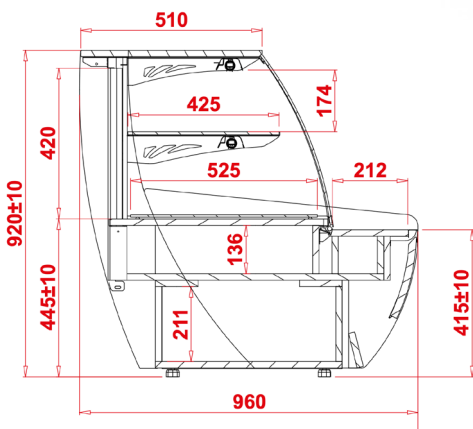
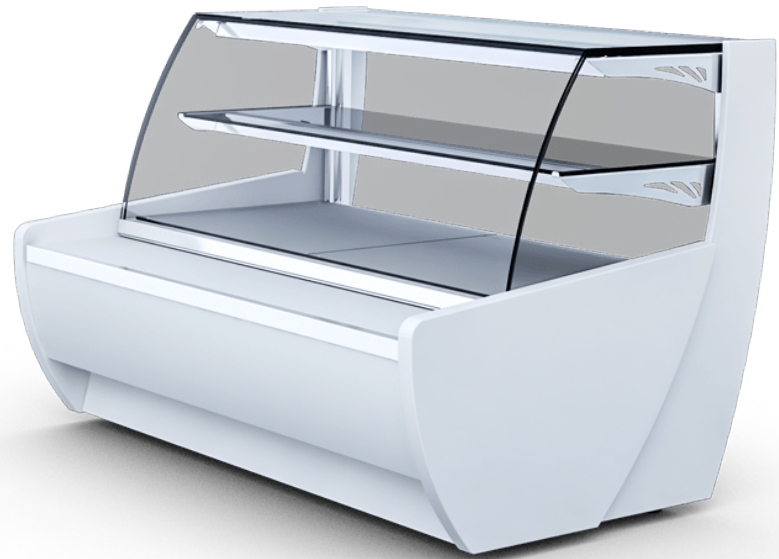
3004	Device without wooden panels	-£150	608	Additional base plinth (per meter)	£110
505	Humidity control	£400	609	Additional front panel (per meter)	£270
321	Electronic temp. recorder, software & wire	£170	610	Additional side panel	£420
611	Additional thin side panels	£400	3006	Additional LED light on the front base panel (per meter)	£120

**2 year
parts
warranty**

Lada Kameleo

Ambient Checkout Counter
Multiplexable Device

IGLOO



Standard features:

- Wooden external housing with side panels
- Curved front glass
- Internal steel frame painted in silver
- Wooden worktop
- LED light confectionary colour
- Device levelling legs
- Socket
- Ambient unit
- Factory order 6-8 weeks delivery

Model	Width (mm)	Height (mm)	Depth (mm)	Weight (kg)	RRP
LSJA790K	690	920+/-10	960	120	£2063
LSJA1060K	990	920+/-10	960	170	£2480
LSJA1300K	1390	920+/-10	960	220	£2907

Optional Extras:

608	Additional base plinth (per meter)	£110	3004	Device without wooden panels	-£150
609	Additional front panel (per meter)	£270	611	Additional thin side panels	£400
610	Additional side panel	£420	3006	Additional LED light on the front base panel (per meter)	£120



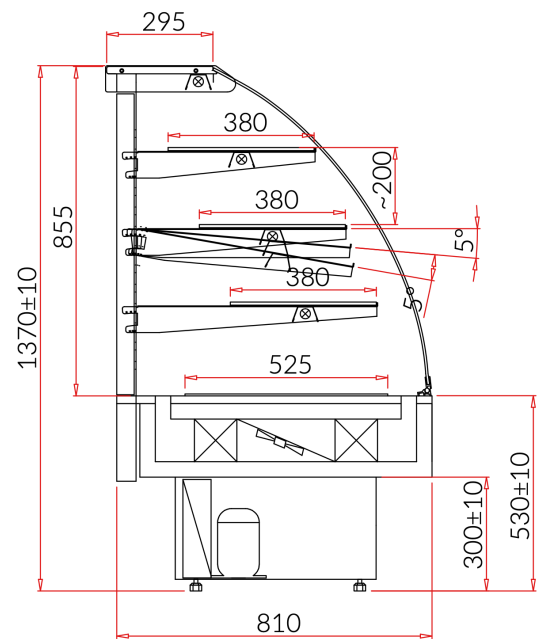
Jamaica - Stainless Steel

Pastry Case
Multiplexable Device

**2 year
parts
warranty**



+5/+15



Standard features:

- Ventilated cooling colour (for JA90 & JA130)
- 13AMP supply
- Electronic temperature controller with digital display
- Stainless steel interior and exterior
- LED lighting for each shelf (confectionary)
- Auto defrost
- Tempered front curved glass
- Compressor on built in rails for easy servicing
- Height and angle adjustable sloping shelves
- Back sliding door with double glazed glass
- Back hinged door with double glazed glass (for JA60)
- Suitable for use in ambient temp. up to 25°C & 65% RH
- Condensor or fan failure alarm

Model	Width (mm)	Height (mm)	Depth (mm)	Temp Range (°C)	Power (w)	Weight (kg)	Voltage	Energy Consumption	Refrigerant	Auto Defrost	RRP
JA60W	600	1370+/-10	865	+5/+15	480	100	230/50Hz	4.7 (kWh/24h)	R290	Yes	£4205
JA90W	900	1370+/-10	865	+5/+15	651	150	230/50Hz	8.0 (kWh/24h)	R290	Yes	£4683
JA130W	1305	1370+/-10	865	+5/+15	1059	200	230/50Hz	10.6 (kWh/24h)	R290	Yes	£5290
JA60N	600	1370+/-10	865	Ambient	45	67	230/50Hz	0.4 (kWh/24h)	-	-	£2800
JA90N	900	1370+/-10	865	Ambient	54	108	230/50Hz	0.5 (kWh/24h)	-	-	£2962
JA130N	1305	1370+/-10	865	Ambient	114	129	230/50Hz	1.0 (kWh/24H)	-	-	£3308

Optional Extras:

3006	Additional LED light on the front base panel (per meter)	£120	505	Humidity control	£300
204	Bottom tray 400x520mm	£90			

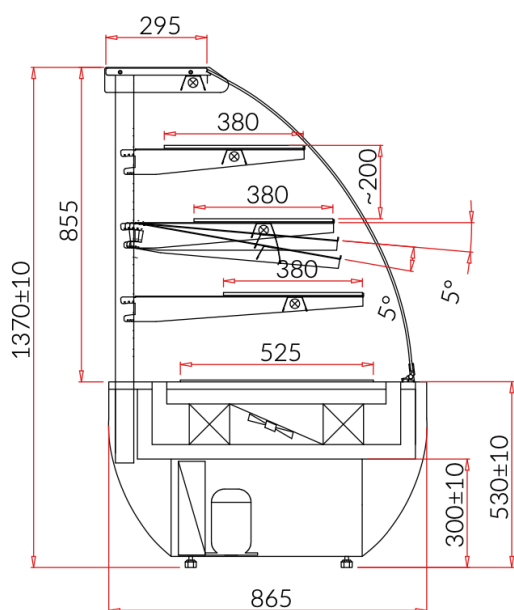
**2 year
parts
warranty**

Jamaica - Wood

Pastry Case
Multiplexable Device



+5/+15



Standard features:

- Ventilated cooling
- 13AMP supply
- Electronic temperature controller with digital display
- LED lighting for each shelf (confectionary colour)
- Auto defrost (for JA90 & JA130)
- Tempered front curved glass
- Compressor on built in rails for easy servicing
- Height and angle adjustable sloping shelves
- Back sliding door with double glazed glass
- Back hinged door with double glazed glass (for JA60)
- Suitable for use in ambient temp. up to 25°C & 65%RH
- Condensor or fan failure alarm

Model	Width (mm)	Height (mm)	Depth (mm)	Temp Range (°C)	Power (w)	Weight (kg)	Voltage	Energy Consumption	Refrigerant	Auto Defrost	RRP
JA60WW	700	1370+/-10	865	+5/+15	480	100	230/50Hz	4.7 (kWh/24h)	R290	Yes	£4120
JA90WW	1000	1370+/-10	865	+5/+15	651	150	230/50Hz	8.0 (kWh/24h)	R290	Yes	£4607
JA130WW	1400	1370+/-10	865	+5/+15	1059	200	230/50Hz	10.6 (kWh/24h)	R290	Yes	£5178
JA60NW	700	1370+/-10	865	Ambient	45	67	230/50Hz	0.4 (kWh/24h)	-	-	£2715
JA90NW	1000	1370+/-10	865	Ambient	54	108	230/50Hz	0.5 (kWh/24h)	-	-	£2886
JA130NW	1400	1370+/-10	865	Ambient	114	129	230/50Hz	1.0 (kWh/24h)	-	-	£3241

Optional Extras:

3006	Additional LED light on the front base panel (per meter)	£120	505	Humidity control system	£300
204	Bottom tray 400x520mm	£90			



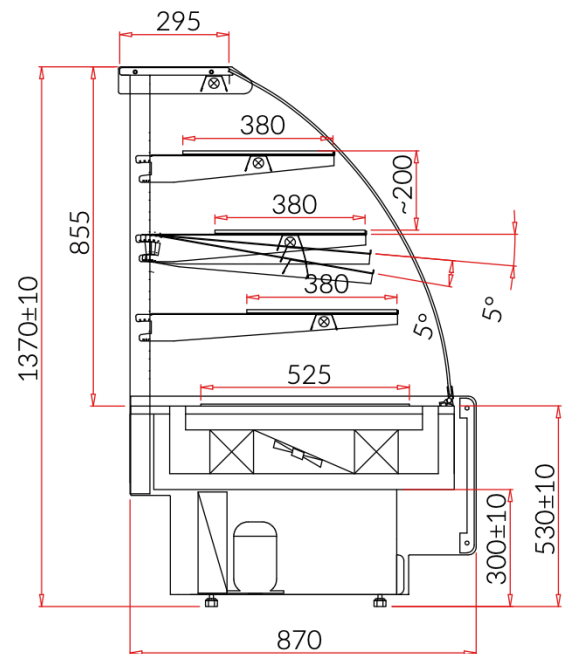
Jamaica - Trend

Pastry Case
Multiplexable Device

**2 years
parts
warranty**



+5/+15



Standard features:

- Ventilated cooling
- 13AMP supply
- Electronic temperature controller with digital display
- LED light for each shelf (confectionary colour)
- Auto defrost
- Tempered front curved glass
- Compressor on built in rails for easy servicing
- Height and angle adjustable sloping shelves
- Back sliding door with double glazed glass (for JA90 & JA130)
- Back hinged door with double glazed glass (for JA60)
- Suitable for use in ambient temp. up to 25°C & 65% RH
- Factory order 6-8 weeks delivery
- Condensor or fan failure alarm

Model	Width (mm)	Height (mm)	Depth (mm)	Temp Range (°c)	Power (w)	Weight (kg)	Voltage	Energy Consumption	Refrigerant	Auto Defrost	RRP
JA60WT	700	1370+/-10	870	+5/+15	480	100	230/50Hz	7.0 (kWh/24h)	R290	Yes	£4223
JA90WT	1000	1370+/-10	870	+5/+15	651	150	230/50Hz	9.4 (kWh/24h)	R290	Yes	£4699
JA130WT	1400	1370+/-10	870	+5/+15	1059	200	230/50Hz	15.2 (kWh/24h)	R290	Yes	£5313
JA60NT	680	1370+/-10	870	Ambient	45	67	230/50Hz	0.6 (kWh/24h)	-	-	£2817
JA90NT	980	1370+/-10	870	Ambient	54	108	230/50Hz	0.8 (kWh/24h)	-	-	£2978
JA130NT	1380	1370+/-10	870	Ambient	114	129	230/50Hz	2.0 (kWh/24h)	-	-	£3377

Optional Extras:

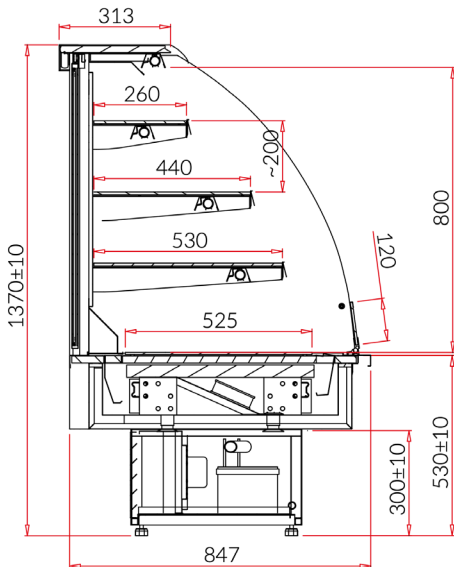
1138	Stainless steel bottom shelf (per meter)	£77	505	Humidity control system	£400
3006	Additional LED light on the front base panel (per meter)	£120			

**2 year
parts
warranty**

Jamaica Open
Pastry Case
Multiplexable Device



+8/+15



Standard features:

- Ventilated cooling
- 13AMP supply
- Electronic temperature controller with digital display
- LED lighting for each shelf (confectionary colour)
- Auto Defrost
- Compressor on built in rails for easy servicing
- Height and angle adjustable sloping shelves
- Adjustable legs
- Price strip
- Suitable for use in ambient temp. up to 25°C & 65% RH
- Factory order 6-8 weeks delivery

Model	Width (mm)	Height (mm)	Depth (mm)	Temp Range (°C)	Power (w)	Weight (kg)	Voltage	Energy Consumption	Refrigerant	Auto Defrost	RRP
JA60WW OPEN	700	1370+/-10	865	+8/+15	510	90	230/50Hz	5.9 (kWh/24h)	R290	Yes	£4120
JA90WW OPEN	1000	1370+/-10	865	+8/+15	675	140	230/50Hz	6.7 (kWh/24h)	R290	Yes	£4607
JA130WW OPEN	1400	1370+/-10	865	+8/+15	1080	190	230/50Hz	10.2 (kWh/24h)	R290	Yes	£5104
JA60WS OPEN	610	1360+/-10	840	+8/+15	510	90	230/50Hz	5.9 (kWh/24h)	R290	Yes	£4205
JA90WS OPEN	910	1360+/-10	840	+8/+15	675	140	230/50Hz	6.7 (kWh/24h)	R290	Yes	£4683
JA130WS OPEN	1305	1360+/-10	840	+8/+15	1080	190	230/50Hz	10.2 (kWh/24h)	R290	Yes	£5214

Optional Extras:

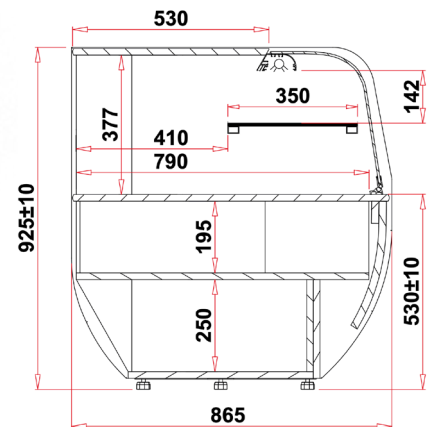
3006	Additional LED light on the front base panel (per meter)	£120	485	Trend finish	+10% (on wood price)
-------------	--	------	-----	--------------	----------------------



Jamaica Counter

Ambient Checkout Counter

**2 years
parts
warranty**



Standard features:

- Wooden case (S/S not available)
- Curved front glass
- LED light in white
- Socket
- Adjustable legs
- Wood or trend finish
- Not multiplexable
- Ambient unit
- Factory order 6-8 weeks delivery

Model	Width (mm)	Height (mm)	Depth (mm)	Weight (kg)	RRP
LSJA790	790	925+/-10	865	110	£1571
LSJA1606	1060	925+/-10	865	120	£2047
LSJA1300	1300	925+/-10	865	130	£2167
LSJA790T	790	925+/-10	870	110	£1678
LSJA1606T	1060	925+/-10	870	120	£2209
LSJA1300T	1300	925+/-10	870	130	£4032

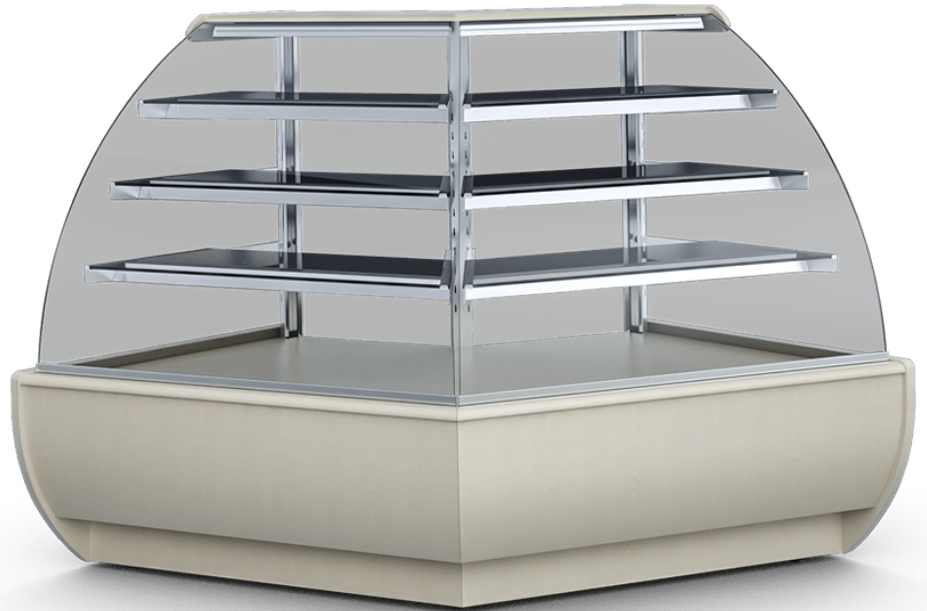
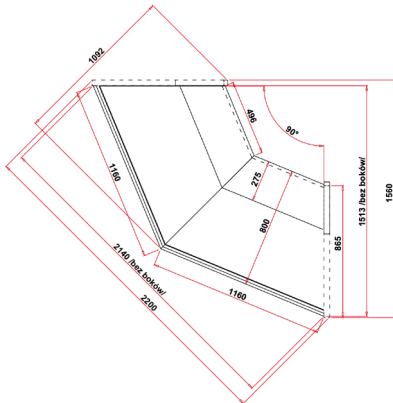
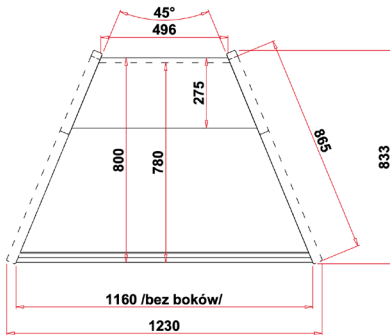
Optional Extras

303	Grey granite worktop (20mm thickness, per meter)	£100	3006	Additional LED light on the front base panel (per meter)	£120
------------	--	------	-------------	--	------

**2 year
parts
warranty**

Jamaica - Corner Units

Ambient
Multiplexable Device



Standard features:

- Front curved glass
- Height and angle adjustable sloping shelves with confectionery LED lights
- Adjustable legs
- Different finish options available
- Ambient device (without cooling)
- Wooden external housing & side panels
- Internal frame painted silver or gold
- Bottom wooden shelf
- Factory order 6-8 weeks delivery

Model	Width (mm)	Height (mm)	Depth (mm)	Power (w)	Weight (kg)	Voltage	Energy Consumption	RRP
JANZ45NS	1160	1360+/-10	833	140	80	230/50Hz	1.2 (kWh/24h)	£3615
JANZ90NS	2140	1360+/-10	833	190	120	230/50Hz	2.2 (kWh/24h)	£5677
JANZ45NW	1230	1360+/-10	833	140	80	230/50Hz	1.2 (kWh/24h)	£3652
JANZ90NW	2200	1360+/-10	833	190	120	230/50Hz	2.2 (kWh/24h)	£5651
JANZ45NT	1236	1360+/-10	833	140	80	230/50Hz	1.2 (kWh/24h)	£3751
JANZ90NT	2210	1360+/-10	833	190	120	230/50Hz	2.2 (kWh/24h)	£5743

Optional Extras:

3006	Additional LED light on the front base panel (per meter)	£120			
-------------	--	------	--	--	--



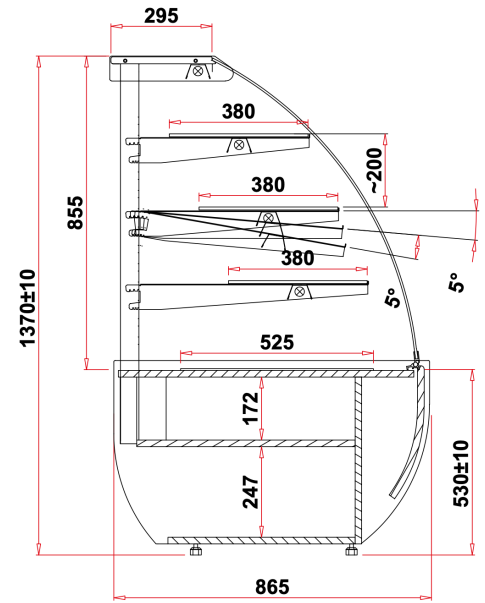
Jamaica - Hot

Pastry case
Multiplexable Device

**2 year
parts
warranty**



+30/+60



Standard features:

- Manual controller
- Warm air circulation
- Double curved glass (inner and outer glass)
- Each shelf illuminated with halogen bulbs
- Water level sensor
- Adjustable legs
- Back sliding double glazed door (except on JA0.6)
- Height and angle adjustable sloping glass shelves
- Stainless steel internal frame (S/S models only)
- Internal frame painted silver or gold (wood/trend)
- Different colour finishes available (wood/trends models)
- Stainless steel bottom shelf (stainless steel models only)

Model	Width (mm)	Height (mm)	Depth (mm)	Temp Range (°c)	Power (w)	Weight (kg)	Voltage	Energy Consumption	RRP
JA60HS	610	1370+/-10	810	+30/+60	0.8	80	230/50Hz	10 (kWh/24h)	£4147
JA90HS	910	1370+/-10	810	+30/+60	1.5	125	230/50Hz	14 (kWh/24h)	£4631
JA130HS	1310	1370+/-10	810	+30/+60	2.2	170	230/50Hz	20 (kWh/24h)	£5177
JA60HW	700	1370+/-10	865	+30/+60	0.8	80	230/50Hz	10 (kWh/24h)	£4063
JA90HW	1000	1370+/-10	865	+30/+60	1.5	125	230/50Hz	14 (kWh/24h)	£4555
JA130HW	1400	1370+/-10	865	+30/+60	2.2	170	230/50Hz	20 (kWh/24h)	£5065
JA60HT	700	1370+/-10	870	+30/+60	0.8	80	230/50Hz	10 (kWh/24h)	£4165
JA90HT	1000	1370+/-10	870	+30/+60	1.5	125	230/50Hz	14 (kWh/24h)	£4647
JA130HT	1400	1370+/-10	870	+30/+60	2.2	170	230/50Hz	20 (kWh/24h)	£5162

Optional Extras:

3006	Additional LED light on the front base panel (per meter)	£120	204	Bottom tray 400x520mm	£90t
-------------	--	------	------------	-----------------------	------

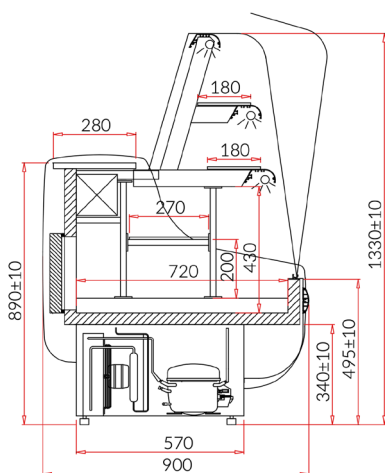
**2 year
parts
warranty**

Beta
Pastry Case

IGLOO



+1/+10



Standard features:

- 3 Glass shelves (2 top shelves ambient)
- No under storage
- LED lighting
- Static cooling
- Stainless steel pull out display draw (deck)
- White powder painted steel exterior
- Granite 20mm worktop
- ABS side panels
- Anodised aluminium profiles in gold or silver
- Digital control and temperature display
- Curved glass
- Suitable for use in ambient temp. up to 25°C & 65% RH
- Condensor or fan failure alarm
- **WHILE STOCK LAST**

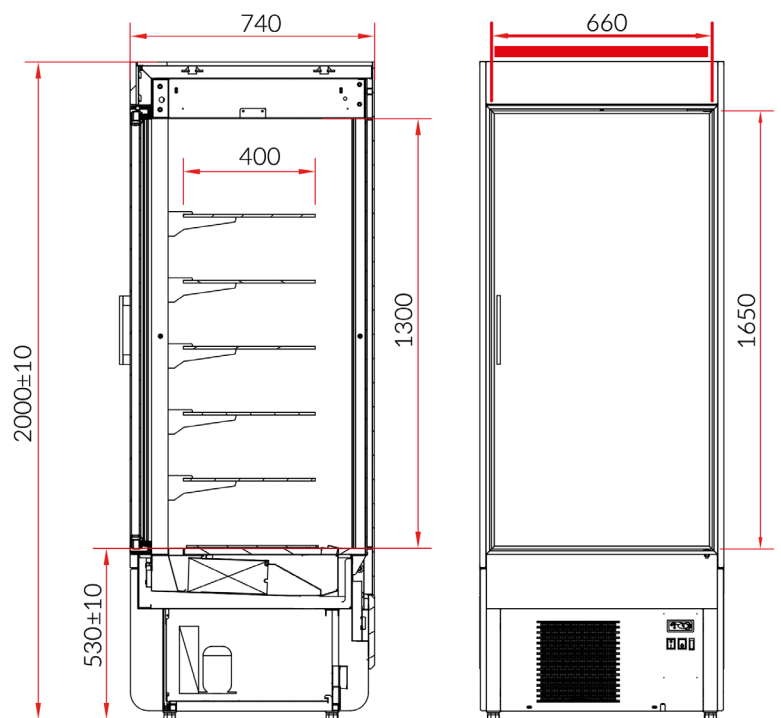
Model	Width (mm)	Height (mm)	Depth (mm)	Temp Range (°C)	Power (w)	Weight (kg)	Voltage	Energy Consumption	Refrigerant	Auto Defrost	RRP
BETA100W	990	1330+/-10	900	+1/+10	400	168	230/50Hz	6.5 (kWh/24h)	R290	Yes	£3441
BETA130W	1315	1330+/-10	900	+1/+10	500	210	230/50Hz	6.8 (kWh/24h)	R290	Yes	£4061
BETA160W	1605	1330+/-10	900	+1/+10	600	296	230/50Hz	10.7 (kWh/24h)	R290	Yes	£4508
BETA190W	1895	1330+/-10	900	+1/+10	600	342	230/50Hz	11.0 (kWh/24h)	R290	Yes	£5229

Optional Extras:

501	Additional socket	£50	806	Black granit worktop (per meter)	£150
------------	-------------------	-----	------------	----------------------------------	------



+5/+15



Standard features:

- Internal cooling aggregate steel
- Dynamic cooling with automatic defrost
- External glass elements made of combined glass with agron filling and black silkscreen
- External wooden elements
- Internal frame painted
- Internal bottom shelf made of stainless steel
- Exposition glass shelves with height adjustment placed on the frame
- Back hinged doors with combined glass (choice of door opening)
- Kick plinth made of stainless steel
- Housing with base from staff side made of black coated steel
- Front frame LED illumination
- Automatic condenser vaporization
- Igloo electronic temperature controller with digital display
- Condenser impurity or fan operation failure alarm
- Factory order 6-8 weeks delivery

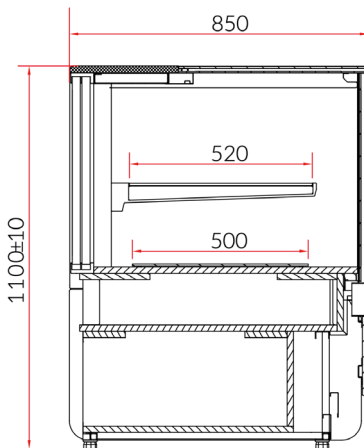
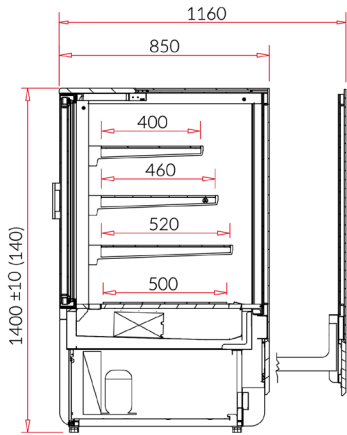
Model	Width (mm)	Height (mm)	Depth (mm)	Temp Range (°c)	Power (w)	Weight (kg)	Voltage	Energy Consumption	Refrigerant	Auto Defrost	RRP
INN-T74	740	2000+/-10	660	+5/+15	642	159	230/50Hz	6.4 (kWh/24h)	R290	Yes	£7366

Optional Extras:

333	Rotating glass shelves (without height adjustment)	£576	321	Electronic temp. recorder, software and wire	£170
444	Additional glass shelf and handle set	£98	1700	Internal frame made of stainless steel	£316
3002	Castors (per meter)	£250			

**2 year
parts
warranty**

Innova
Ambient Patisserie case
Multiplexable Device



Standard features:

- Ambient device without cooling system
- External glass elements made of combined glass with black silkscreen
- Innovative system of withdrawable front with electromagnetic lock
- External wood panels
- Bottom shelf made of stainless steel
- Height and angle adjustable shelves
- Rear sliding door with glass panel (hinged door for INN70)
- Kick plinth made of stainless steel
- LED Lighting

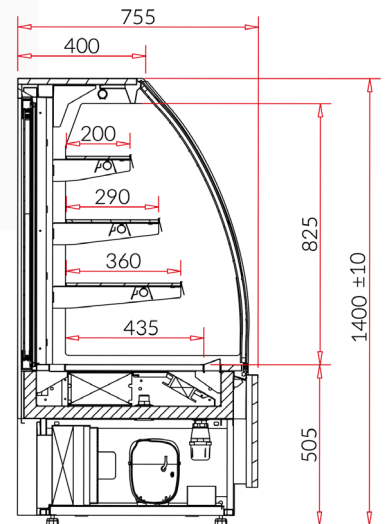
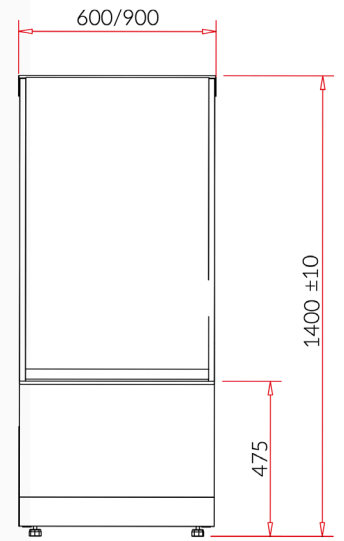
Model	Width (mm)	Height (mm)	Depth (mm)	Power (w)	Weight (kg)	Voltage	Energy Consumption	RRP
INN-N70.110	700	1100+/-10	850	19.8	67	230/50Hz	0.4 (kWh/24h)	£4716
INN-N100.110	1000	1100+/-10	850	26.4	108	230/50Hz	0.5 (kWh/24h)	£5100
INN-N140.110	1400	1100+/-10	850	29.7	129	230/50Hz	0.5 (kWh/24h)	£5730
INN-N70.140	700	1400+/-10	850	22.4	100	230/50Hz	0.4 (kWh/24h)	£5587
INN-N100.140	1000	1400+/-10	850	28.8	150	230/50Hz	0.5 (kWh/24h)	£6104
INN-N140.140	1400	1400+/-10	850	36.3	200	230/50Hz	0.5 (kWh/24h)	£6344

Optional Extras:

302	Black granite worktop	£290	555	Illuminated shelf (per meter)	£200
303	Grey granite worktop (per meter)	£120	3002	Cators (per meter)	£250
301	Balmoral granite worktop (per meter)	£180			



+2/+10



Standard features:

- Internal cooling aggregate
- Dynamic cooling
- Glass exposition shelves
- Price strips
- Ecological polyurethane foam insulation
- Curved front glass unit with silk screen printing
- Side glass with silk screen printing
- Rear sliding perspex doors (0.9)
- Rear hinged perspex door (0.6)
- External housing, interior and frame made of powder painted steel
- LED lighting (confectionary colour)
- Auto defrost
- Suitable for use in ambient temp. up to 25°C & 65%RH
- Factory order 6-8 weeks delivery

Model	Width (mm)	Height (mm)	Depth (mm)	Temp Range (°C)	Power (w)	Weight (kg)	Voltage	Energy Consumption	Refrigerant	Auto Defrost	RRP
PR100	600	1400+/-10	755	+2/+10	304	120	230/50Hz	4.4 (kWh/24h)	R290	Yes	£4218
PR101	900	1400+/-10	755	+2/+10	573	170	230/50Hz	9.9 (kwh/24h)	R290	Yes	£4799

Optional Extras:

606	External housing made of stainless steel (per meter)	£378	151	Front panel made of melamine board (per meter)	£134
355	Wooden front panel made of veneered board or trent board	£292	1700	Interior frame made of stainless steel (per meter)	£365
321	Electronic temp. recorder, software and wire	£170	505	Humidity control system	£400

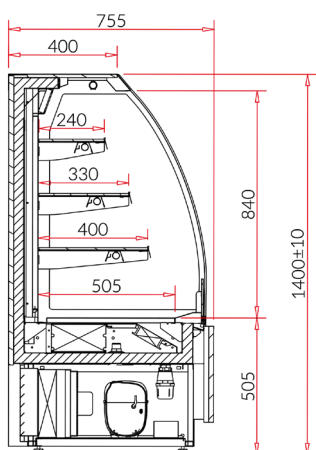
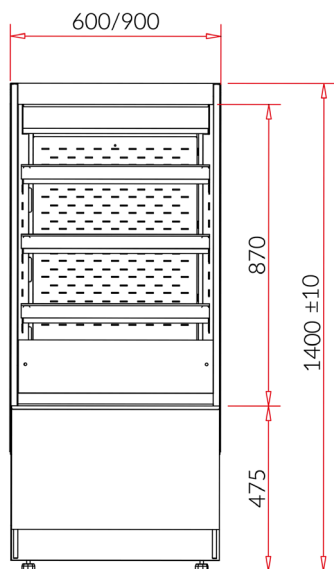
**2 year
parts
warranty**

Petro Open

IGLOO



+2/+10



Standard features:

- Internal cooling aggregate
- Dynamic cooling
- Glass exposition shelves
- Price strips
- Ecological polyurethane foam insulation
- Side glass with silk screen printing
- LED lighting (confectionary colour)
- Automatic defrost
- Electronic temperature control with digital display
- Condenser impurity or fan operation
- failure alarm
- Suitable for use in ambient temp. up to 25°C & 65%RH
- Factory order 6-8 weeks delivery

Model	Width (mm)	Height (mm)	Depth (mm)	Temp Range (°c)	Power (w)	Weight (kg)	Voltage	Energy Consumption	Refrigerant	Auto Defrost	RRP
PR100OPEN	600	1400+/-10	755	+2/+10	346	120	230/50Hz	5.8 (kWh/24h)	R290	Yes	£3950
PR101OPEN	900	1400+/-10	755	+2/+10	759	170	230/50Hz	13 (kWh/24h)	R290	Yes	£4527

Optional Extras:

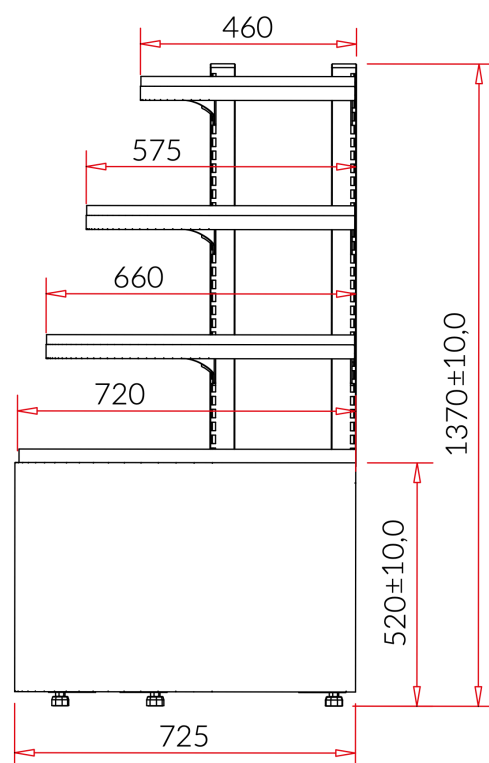
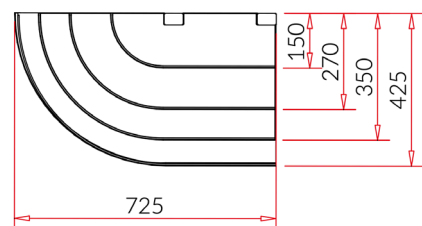
606	External housing made of stainless steel (per meter)	£378	151	Front panel made of melamine board (per meter)	£134
355	Wooden front panel made of veneered board or trend board	£292	1700	Interior frame made of stainless steel (per meter)	£365
321	Electronic temp. recorder, software & wire	£170			



Petro Select NZ

Ambient Corner Display

**2 year
parts
warranty**



Standard features:

- Left or right version
- External housing, interior and frame made out of powder painted steel
- Exposition shelves on frame made of powder painted steel
- Price strips 80mm length
- Factory order 6-8 weeks delivery

Model	Width (mm)	Height (mm)	Depth (mm)	Weight (kg)	Energy Consumption	RRP
PRSNZ90NL	725	1370+/-10	425	30	N/A	£1034
PRSNZ90NP	725	1370+/-10	425	30	N/A	£1034

Optional Extras:

606	External housing made of stainless steel (per meter)	£378	151	Front panel made of melamine board (per meter)	£134
------------	--	------	------------	--	------

**2 years
parts
warranty**

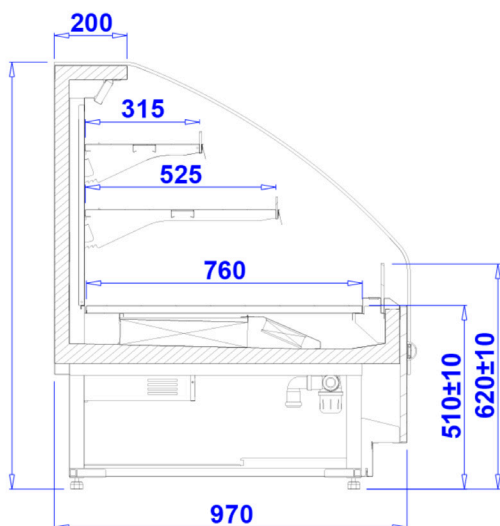
Proxima Slim Open

Multiplex olde



-10/-20

NEW



Standard features:

- Ventilated cooling
- Auto defrost
- Electronic temperature controller with digital display
- 13 AMP supply
- Price Strips
- Upper interior lighting and backlight of each shelf
- Condenser/fan operation failure alarm
- Factory order 6-8 weeks
- Adjustable legs
- Bottom shelf made of painted steel
- Different colours options available

Model	Width (mm)	Height (mm)	Depth (mm)	Temp Range (°c)	Voltage	Refrigerant	Auto Defrost	RRP
PRXS100O	1250	1170+/-10	970	+2/+8	230/50Hz	R290	Yes	£4543
PRXS101O	1880	1170+/-10	970	+2/+8	230/50Hz	R290	Yes	£6188
PRXS102O	2500	1170+/-10	970	+2/+8	230/50Hz	R290	Yes	£7346
PRXS103O	3750	1170+/-10	970	+2/+8	230/50Hz	R290	Yes	£9883

Optional Extras:

2270	Castors (per set)	£250	321	Stainless steel bumpers (per meter)	£190
321	Mesh partitions to keep products in order (per pcs)	£75	123	Multiplexing (per unit)	Plus+10%



Proxima Slim Hot Open

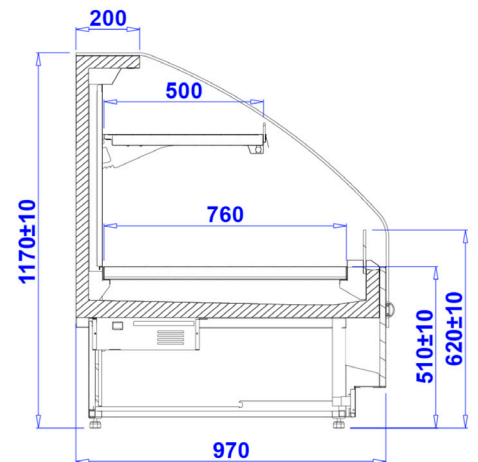
Low Multicleck Display

**2 years
parts
warranty**



+30/+60

NEW



Standard features:

- Bottom internal shelf fitted with heating pads, made of stainless steel
- Stainless heating shelves on frame with adjustable height and angle
- External glass elements made of cometerined glass with argon filling and silkscreen
- Housing with base from staff side made of coated steel
- Frame and internal back of device made of painted steel
- Electronic temperature controller with digital display
- LED lighting for each shelf (confectionary)

Model	Width (mm)	Height (mm)	Depth (mm)	Temp Range (°c)	Voltage	RRP
PRXS100H	1250	1170+/-10	970	+30/+60	230/50Hz	£5996
PRXS101H	1880	1170+/-10	970	+30/+60	230/50Hz	£8824
PRXS102H	2500	1170+/-10	970	+30/+60	230/50Hz	£11228

Optional Extras:

2270	Bottom shelf made of acid-resistant s/s (per meter)	£77	321	Different front panel colour (per meter)	£100
321	Electronic temp.recorder and software & wire	£170	123	Multiplexing (per unit)	plus+10%

**2 years
parts
warranty**

Innova Hot + Innova Bemar

Multicleck Display

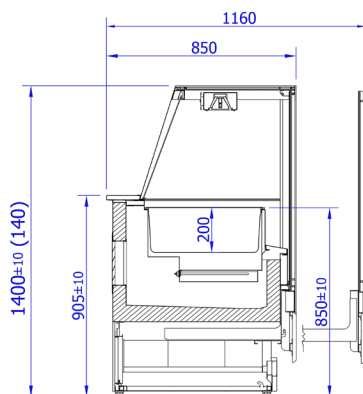
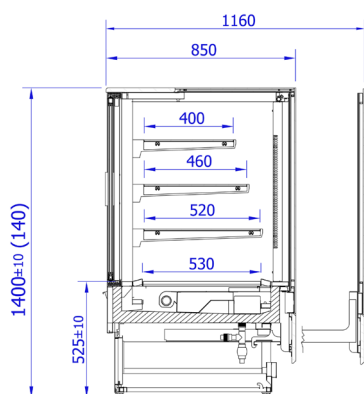
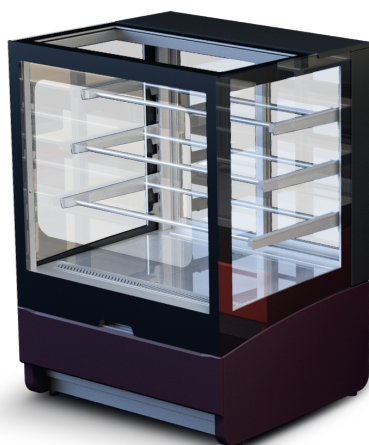
IGLOO

NEW



+30/+85

+30/+70



Standard features:

- Standard colour is black
- External wooden panels
- Wooden worktop
- Bottom shelf made of Stainless Steel
- LED Lighting
- Height and angle adjustable glass shelves
- Kick plate made of stainless steel
- Back sliding door with combined glass (hinged door on INN70)

Model	Width (mm)	Height (mm)	Depth (mm)	Temp Range (°c)	Voltage	RRP
INN.70.140H	700	1400	850	+30/+70°	230/50Hz	£6832
INN.100.140H	1000	1400	850	+30/+70°	230/50Hz	£7631
INN.140.140H	1400	1400	850	+30/+70°	230/50Hz	£8878
INN.100.140B	1000	1400	850	+30/+85°	230/50Hz	£7173
INN.140.140B	1400	1400	850	+30/+85°	230/50Hz	£8330

Optional Extras:

123	Multiplexing (per unit)	plus+10%	302	20mm Black granite worktop (per meter)	£290
303	20mm Grey granite worktop (per meter)	£120	555	Illuminated shelf per meter	£200
3002	Castors (per meter)	£250			



Luna

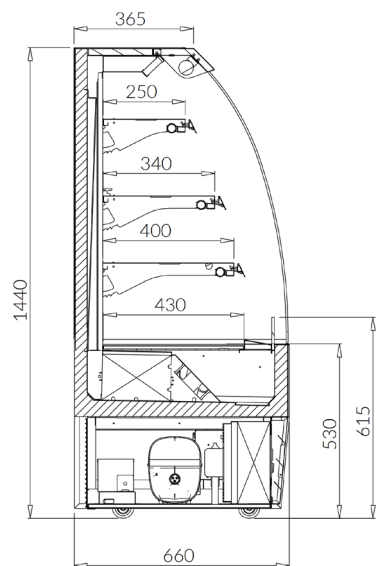
Low Multicleck Display

**2 years
parts
warranty**



+2/+10

NEW



Standard features:

- Ventilated cooling
- Price strips
- LED Lighting (confectionary)
- Automatic defrost
- Automatic condenser vaporization
- Electronic temperature controller with digital display
- Condenser impurity or fan operation failure alarm
- Adjustable legs
- Suitable for use in ambient temp. up to 25°C & 65%RH
- Factory order 6-8 weeks delivery

Model	Width (mm)	Height (mm)	Depth (mm)	Temp Range (°C)	Voltage	Energy Consumption	RRP
LUNA1440.60	600	1440+/-10	660	+2/+10	230/50Hz	6.9 (kWh/24h)	£4018
LUNA1440.90	900	1440+/-10	660	+2/+10	230/50Hz	10.1 (kWh/24h)	£4277
LUNA1440.120	1200	1440+/-10	660	+2/+10	230/50Hz	11.5 (kWh/24h)	£5106
LUNA1440.188	1880	1440+/-10	660	+2/+10	230/50Hz	16.4 (kWh/24h)	£8234

Optional Extras:

191	External housing made of stainless steel (per meter)	£378	321	Temperature recorder wire	£100
321	Electronic temperature recorder & software	£170	123		

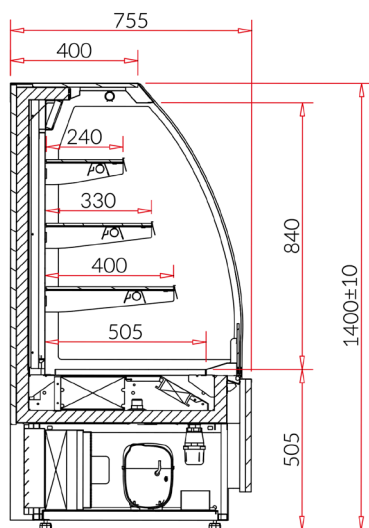
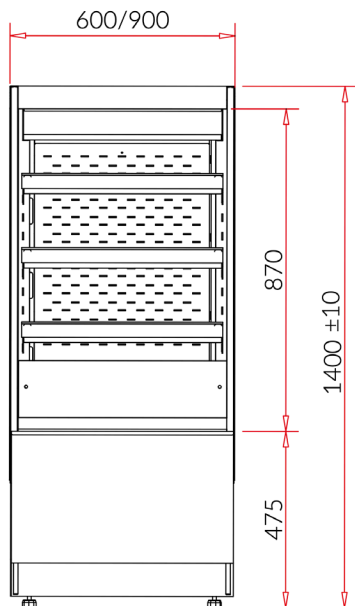
**2 year
parts
warranty**

Petro Select

IGLOO



+2/+10



Standard features:

- Internal cooling aggregate
- Dynamic cooling
- Glass exposition shelves
- Price strips
- Ecological polyurethane foam insulation
- Side glass with silk screen printing
- External housing, interior and frame made powder painted steel
- LED light (confectionary colour)
- Auto defrost
- Electronic temp. controller with digital display
- Suitable for use in ambient temp. up to 25°C & 65%RH
- Factory order 6-8 weeks delivery

Model	Width (mm)	Height (mm)	Depth (mm)	Temp Range (°c)	Power (w)	Weight (kg)	Voltage	Energy Consumption	Refrigerant	Auto Defrost	RRP
PR100S	600	1400+/-10	755	+2/+10	346	120	230/50Hz	5.8 (kWh/24h)	R290	Yes	£3365
PR101S	900	1400+/-10	755	+2/+10	759	170	230/50Hz	13 (kWh/24h)	R290	Yes	£3932

Optional Extras:

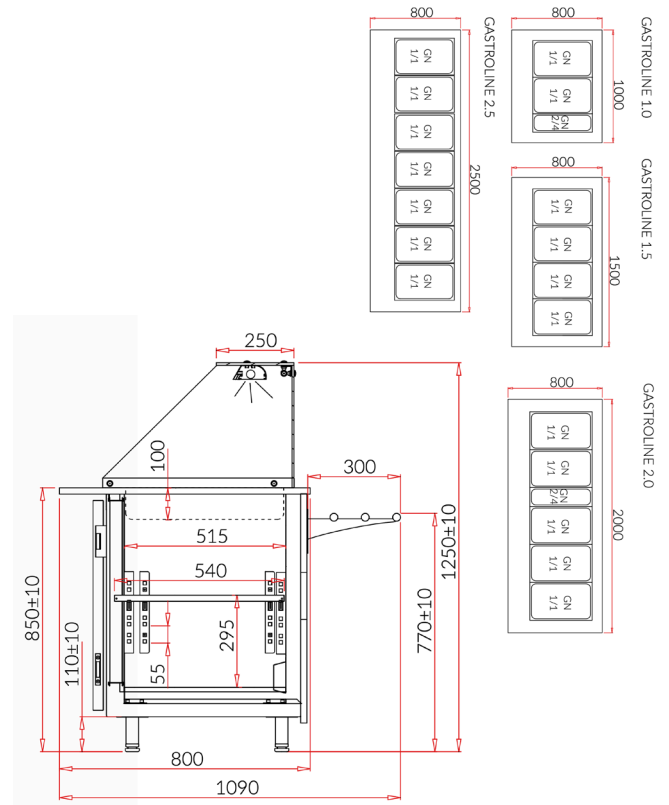
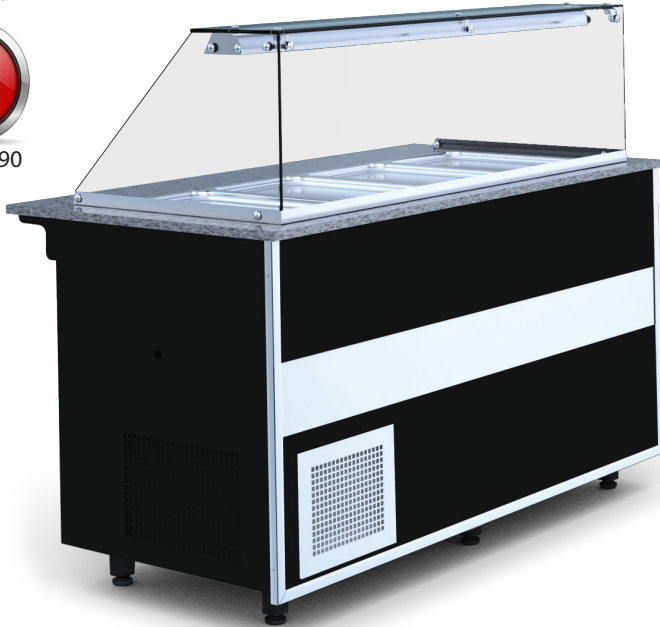
191	External housing made of stainless steel (per meter)	£378	1700	Interior and frame stainless steel	£365
321	Electronic temperature recorder & software	£170			



+2/+8



+30/+90



Standard features:

GN Containers are not included - please refer to page 133

- Cold Version:**
 - Ventilated cooling
 - 13 AMP supply
 - Electronic temperature controller with digital display
 - External housing made of black coated steel
 - Black wood front panel with stainless steel trim
 - 20mm Black granite worktop
 - White LED light
 - Auto defrost
- Straight front glass strip
 - Compressor on built in rails for easy servicing
 - Understorage made of white coated steel with adjustable shelf
 - Frame prepared for GN containers
 - Rear hinged under storage doors
 - Suitable for use in ambient temp. up to 25°C & 65% RH
- Hot Version:**
 - External housing made of black coated steel
 - Black wood front panel with stainless steel
 - Bain marie basin made of acid resistant stainless steel
 - Frame prepared for GN containers
 - Straight front glass
 - 20mm Black granite worktop
 - Lamp with LED light (white colour)
 - Device levelling legs
 - Temperature regulator
 - 2.0m Unit comes with 2 x 13AMP plugs
 - Standard colour in black

Model	Width (mm)	Height (mm)	Depth (mm)	Temp Range (°c)	GN Config.	Power (w)	Weight (kg)	Voltage	Energy Consumption	Refrigerant	Auto Defrost	RRP
GLC-1000	1000	1250+/-10	800	+2/+8	2x1/1 + 1x2/4	295	110	230/50Hz	3.8 (kWh/24h)	R290	Yes	£3890
GLC-1500	1500	1250+/-10	800	+2/+8	4 x 1/1	325	156	230/50Hz	4.2 (kWh/24h)	R290	Yes	£4604
GLC-2000	2000	1250+/-10	800	+2/+8	5x1/1 + 1x2/4	325	200	230/50Hz	4.3 (kWh/24h)	R290	Yes	£5564
GLC-2500	2500	1250+/-10	800	+2/+8	7 x 1/1	311	246	230/50Hz	5.4 (kWh/24h)	R290	Yes	£7129
GLH-1000	1000	1250+/-10	800	+30/+90	2x1/1 + 1x2/4	1618	110	230/50Hz	12.9 (kWh/24h)	-	-	£3801
GLH-1500	1500	1250+/-10	800	+30/+90	4 x 1/1	2460	160	230/50Hz	19.3 (kWh/24h)	-	-	£4471
GLH-2000	2000	1250+/-10	800	+30/+90	5x1/1 + 1x2/4	3250	210	230/50Hz	25.8 (kWh/24h)	-	-	£5383

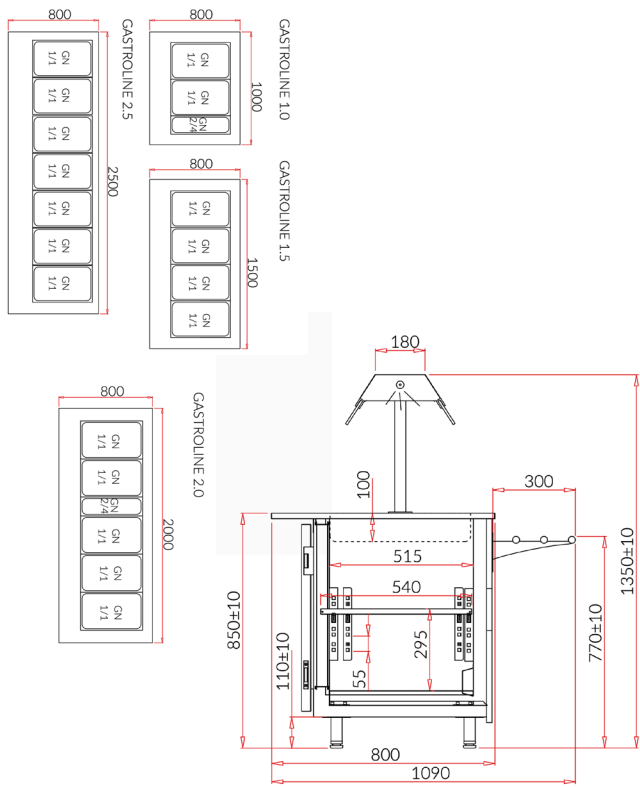
Optional Extras:

3002	Castors (per meter)	£250	1112	Additional glass shelf (per meter)	£100
5555	Heated gantry (per meter)	£270	1018	2/4 GN Container	£54
1118	Foldable tray rail (per meter)	£280	1406	Rear perspex doors (per meter)	£110
601	Different colour front panel trend finish (per meter)	£200	1117	Tray rail (per meter)	£231

**2 year
parts
warranty**

Gastroline Open

Hot/Cold Buffet Display



+2/+8



+30/+90

Standard features:

GN Containers are not included - please refer to page 133

- **Cold Version:**
- Ventilated cooling
- 13 AMP supply
- Electronic temperature controller with digital display
- External housing made of black coated steel
- Black wood front panel with stainless steel trim
- 20mm Black granite worktop
- White LED light
- Auto defrost
- Compressor on built in rails for easy servicing
- Understorage made of white coated steel with adjustable shelf
- Frame prepared for GN containers
- Rear hinged under storage doors
- Gantry made of acid resistant stainless steel with glass strip (sneeze guard)
- Suitable for use in ambient temp. up to 25°C & 65% RH
- **Hot Version:**
- External housing made of black coated steel
- Black wood front panel with stainless steel strip
- Bain marie basin made of acid resistant stainless steel
- Frame prepared for GN containers
- 20mm Black granite worktop
- Gantry made of acid resistant stainless steel with glass strip (sneeze guard)
- Lamp with LED light (white colour)
- Device levelling legs
- Temperature regulator
- 2.0m Unit comes with 2 x 13AMP plugs
- Factory order 6-8 weeks delivery
- Standard colour in black

Model	Width (mm)	Height (mm)	Depth (mm)	Temp Range (°C)	GN Config.	Power (w)	Weight (kg)	Voltage	Energy Consumption	Refrigerant	Auto Defrost	RRP
GLC-1000OPEN	1000	1345+/-10	800	+2/+8	2x1/1 + 1x2/4	363	120	230/50Hz	3.8 (kWh/24h)	R290	Yes	£4097
GLC-1500OPEN	1500	1345+/-10	800	+2/+8	4 x 1/1	391	170	230/50Hz	4.2 (kWh/24h)	R290	Yes	£4915
GLC-2000OPEN	2000	1345+/-10	800	+2/+8	5x1/1 + 1x2/4	413	225	230/50Hz	4.3 (kWh/24h)	R290	Yes	£5985
GLC-2500OPEN	2500	1345+/-10	800	+2/+8	7 x 1/1	501	275	230/50Hz	5.4 (kWh/24h)	R290	Yes	£7627
GLH-1000OPEN	1000	1345+/-10	800	+30/+90	2x1/1 + 1 x 2/4	1618	110	230/50Hz	12.9 (kWh/24h)	-	-	£4008
GLH-1500OPEN	1500	1345+/-10	800	+30/+90	4 x 1/1	2430	160	230/50Hz	19.3 (kWh/24h)	-	-	£4781
GLH-2000OPEN	2000	1345+/-10	800	+30/+90	5 x 1/1 + 1 x 2/4	3258	210	230/50Hz	25.8 (kWh/24h)	-	-	£5926

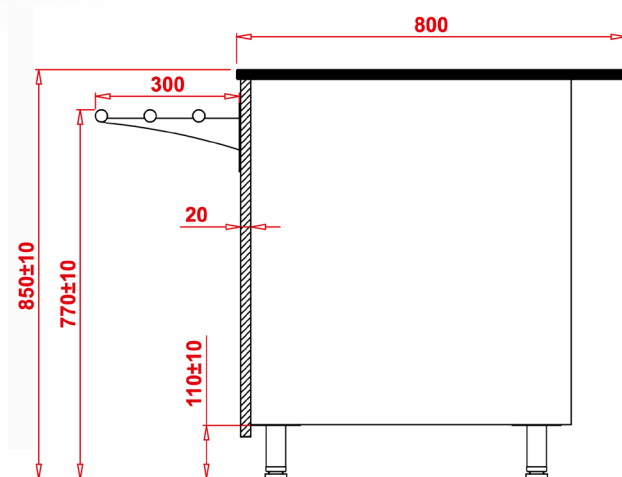
Optional Extras:

3002	Castors (per meter)	£250	1112	Additional glass shelf (per meter)	£100
5555	Heated gantry (per meter)	£270	1018	2/4 GN Container	£54
1118	Foldable tray rail (per meter)	£280	1406	Rear perspex doors (per meter)	£110
601	Different colour front panel trend finish (per meter)	£200	1117	Tray rail (per meter)	£231

Gastroline Counter

Ambient Checkout Counter

**2 year
parts
warranty**



Standard features:

- Black melamine wood front
- Horizontal divided black Melamine (wood) front panel with stainless steel strip
- Pull out drawer at rear
- Black Granite worktop
- Adjustable legs
- Black painted stainless steel sides
- Factory order 6-8 weeks delivery
- Standard colour in black

Model	Width (mm)	Height (mm)	Depth (mm)	Weight (kg)	RRP
LS/GL50	500	850+/-10	800	50	£1309
LS/GL60	600	850+/-10	800	60	£1455
LS/GL70	700	850+/-10	800	70	£1590
LS/GL80	800	850+/-10	800	80	£1728
LS/GL100	1000	850+/-10	800	100	£2002
LS/GL150	1500	850+/-10	800	150	£2829

Optional Extras:

601	Different front panel colour trend finish (per meter)	£330	1117	Tray rail (per meter)	£231
3002	Castors (per meter)	£260	300	Foldable tray rail (per meter)	£280

**1 year
parts
warranty**

Drop Inn Counter Hot/Cold



+30/+90

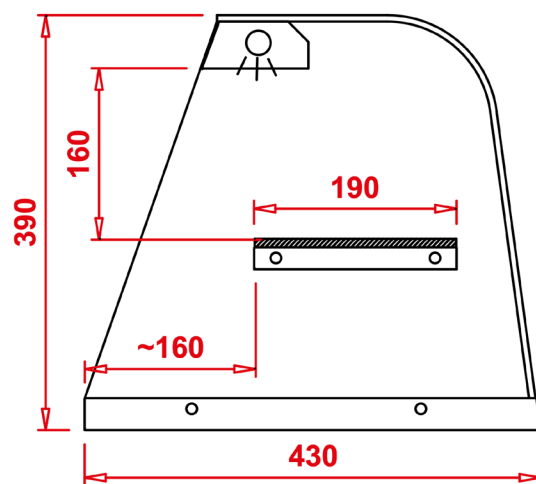
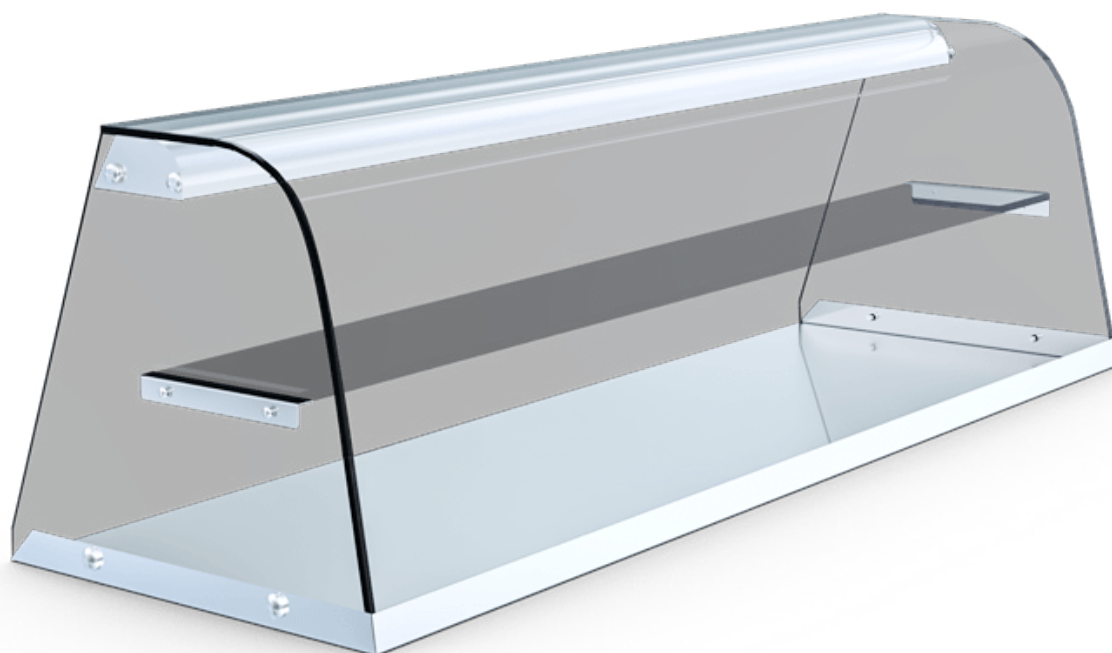


Model	Width (mm)	Height (mm)	Depth (mm)	Temp Range (°c)	Power (W)	GN Capacity	Refrigerant	RRP
DIH155	1550	480	750	+30/+90	2 X 1500	4 x 1/1	-	£1316
DIH220	2200	480	750	+30/+90	3 x 1500	6 x 1/1	R134a	£1969



Counter Top Ambient Display

2 year parts warranty



Standard features:

- Display area made of silver painted steel
- Anodised aluminium profiles in silver
- Curved front glass
- Optional glass shelf on LS models
- models
- LS models comes with light

Model	Width (mm)	Height (mm)	Depth (mm)	Weight (kg)	Voltage	RRP
JN01	1210	390	430	18	N/A	£830
JN02	1820	390	430	28	N/A	£1142
JN01LS	1210	390	430	18	230/50Hz	£1008
JN02LS	1820	390	430	28	230/50Hz	£1500

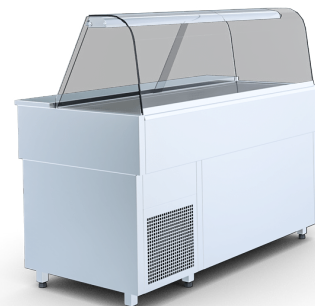
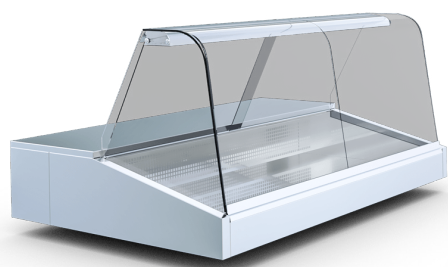
**2 year
parts
warranty**

Tatiana Gastronorm Display Counter

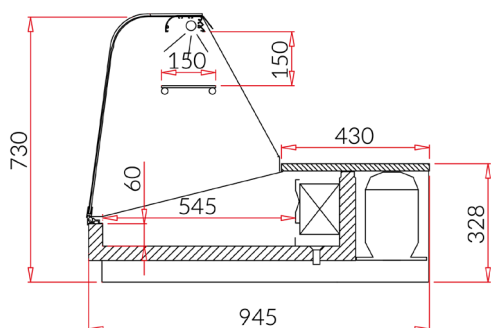
IGLOO



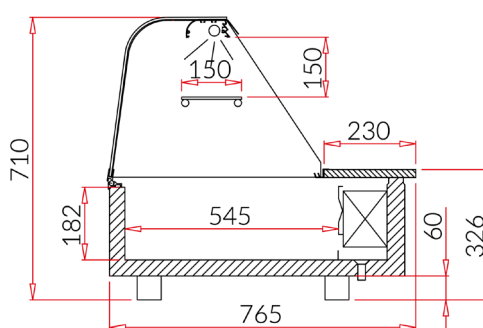
+2/+8



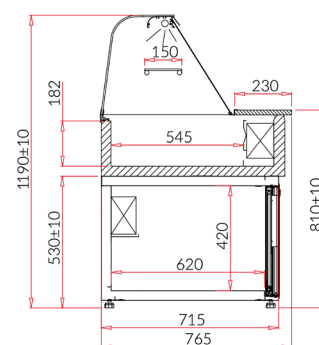
TAT1.0NS



TAT1.0N2



TATIANA ZS



Standard features:

- Static cooling
- 13AMP supply
- Electronic temperature controller with digital display
- Stainless steel worktop
- White LED lighting
- Auto defrost
- Curved front glass
- Compressor on built in rails for easy servicing
- Refrigerated understorage with sliding doors (in ZS model only)
- Stainless steel decking
- Rear perspex sliding doors to decking area
- Suitable for use in ambient temp. up to 25°C & 65%RH

Model	Width (mm)	Height (mm)	Depth (mm)	Temp Range (°c)	Power (w)	Weight (kg)	Voltage	Energy Consumption	Refrigerant	Auto Defrost	RRP
TAT1.0NS	990	730	945	+2/+8	160	60	230/50Hz	2.1	R290	Yes	£2225
TAT1.3NS	1300	730	945	+2/+8	240	80	230/50Hz	3.5	R290	Yes	£2644
TAT1.5NS	1500	730	945	+2/+8	251	96	230/50Hz	3.5	R290	Yes	£3062
TAT1.7NS	1700	730	945	+2/+8	370	110	230/50Hz	3.6	R290	Yes	£3196
TAT1.0ZS	990	1210+/-10	765	+2/+8	160	115	230/50Hz	3.4	R290	Yes	£2747
TAT1.3ZS	1300	1210+/-10	765	+2/+8	240	130	230/50Hz	3.5	R290	Yes	£3322
TAT1.5ZS	1500	1210+/-10	765	+2/+8	251	150	230/50Hz	3.5	R290	Yes	£3844
TAT1.7ZS	1700	1210+/-10	765	+2/+8	370	160	230/50Hz	3.6	R290	Yes	£4082
TAT1.0N2	1205	710	765	+2/+8	151	60	230/50Hz	2.1	R290	Yes	£2225
TAT1.3N2	1515	710	765	+2/+8	157	80	230/50Hz	3.5	R290	Yes	£2644
TAT1.5N2	1715	710	765	+2/+8	250	96	230/50Hz	3.5	R290	Yes	£3062
TAT1.7N2	1915	710	765	+2/+8	255	110	230/50Hz	3.6	R290	Yes	£3196

Optional Extras:

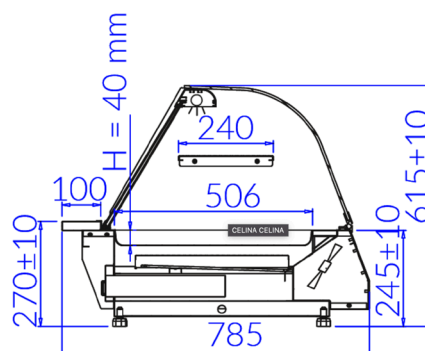
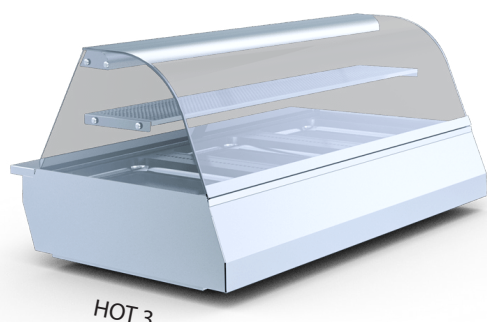
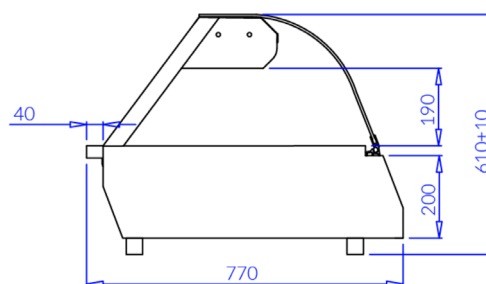
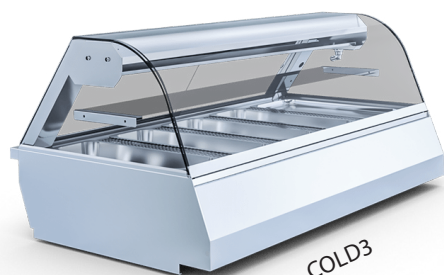
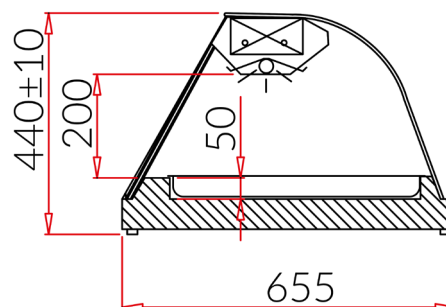
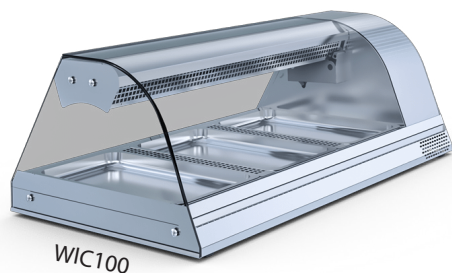
612	Stainless steel external top housing per meter (ZS model)	£142	1112	Shelf (per meter)	£98
607	Stainless steel external bottom housing per meter (ZS model)	£170	3002	Castors (ZS model)	£300
1201	Moveable partition (low glass on stand)	£100	321	Electronic temp.recorder, software & wire	£170



+30/+90



+2/+8



Standard features:

GN Containers are not included - please refer to page 133

STANDARD FEATURES FOR HOT:

- Large pull out water reservoir
- External and internal made out of stainless steel
- Stainless steel shelf
- Fluorescent lamp
- Rear sliding heat resistant doors
- Warm air circulation
- Openable curved front glass

- (2 or 3) x 1/1 GN containers required. max depth 40mm for hot 2 and 3

- Automatic temperature control
- **STANDARD FEATURES FOR COLD:**
- Warm air glass defogger
- Gravity cooling system
- Environment friendly R290 (cold only)
- Automatic condenser vaporization
- Digital temperature display

- Electronic programmable temperature
- Confectionary coloured LED light
- Suitable for use in ambient temp. up to 25°C & 65% RH - Cold versions only
- Sliding perspex door
- 2 or 3 x 1/1 GN containers required, max. depth 150mm for cold 2 and 3
- 2 or 3 x 1/1 GN containers required, max depth 40mm for W101 and W102

Model	Width (mm)	Height (mm)	Depth (mm)	Temp Range (°C)	GN	Weight (kg)	Voltage	Energy Consumption	Refrigerant	Auto Defrost	RRP
HOT2	800	610+/-10	770	+30/+90	2	50	230/50Hz	0.6 (kWh/24h)	-	-	£2109
HOT3	1300	610+/-10	770	+30/+90	3	70	230/50Hz	0.5 (kWh/24h)	-	-	£2703
COLD2	825	610+/-10	770	+2/+8	2	60	230/50Hz	2.1 (kWh/24h)	R290	Yes	£2227
COLD3	1320	610+/-10	770	+2/+8	3	86	230/50Hz	3.8 (kWh/24h)	R290	Yes	£2678
W101	940	440+/-10	665	+2/+8	2	55	230/50Hz	2.1 (kWh/24h)	R290	Yes	£2164
W102	1320	440+/-10	665	+2/+8	3	75	230/50Hz	2.2 (kWh/24h)	R290	Yes	£2616

**1 year
parts
warranty**

Kentucky

Hot Counter Top Display

**Super
lizza**



+30/+95



Standard features:

- Water storage draw
- Fan assisted
- Constant temp & humidity
- Halogen light
- Removable rack allows extra display area
- Heated element placed above axial fan
- Water storage drawer allows gentle humidification
- Halogen quartz lamp is fitted in the upper part of the showcase
- Temperature display

Model	Width (mm)	Height (mm)	Depth (mm)	Temp Range (°c)	Power (w)	Weight (kg)	Voltage	GN Capacity	Light	RRP
KH1	480	585	775	+30/+95	1000	40	230/50Hz	1 x 1/1GN	24W	£2300



TXCD815D



TXCD815S



TXCD115D

Model	Width (mm)	Depth (mm)	Height (mm)	Temperature Range (°c)	Power kW	GN Capacity	RRP
TXCD815S	815	665	560	+30/+90	2.3	2 x 1/1	£1434
TXCD815D	815	665	780	+30/+90	2.6	2 x 1/1 + 2 x 2/3	£1800
TXCD1150	1150	665	780	+30/+90	3.1	3 x 1/1 + 3 x 2/3	£2273

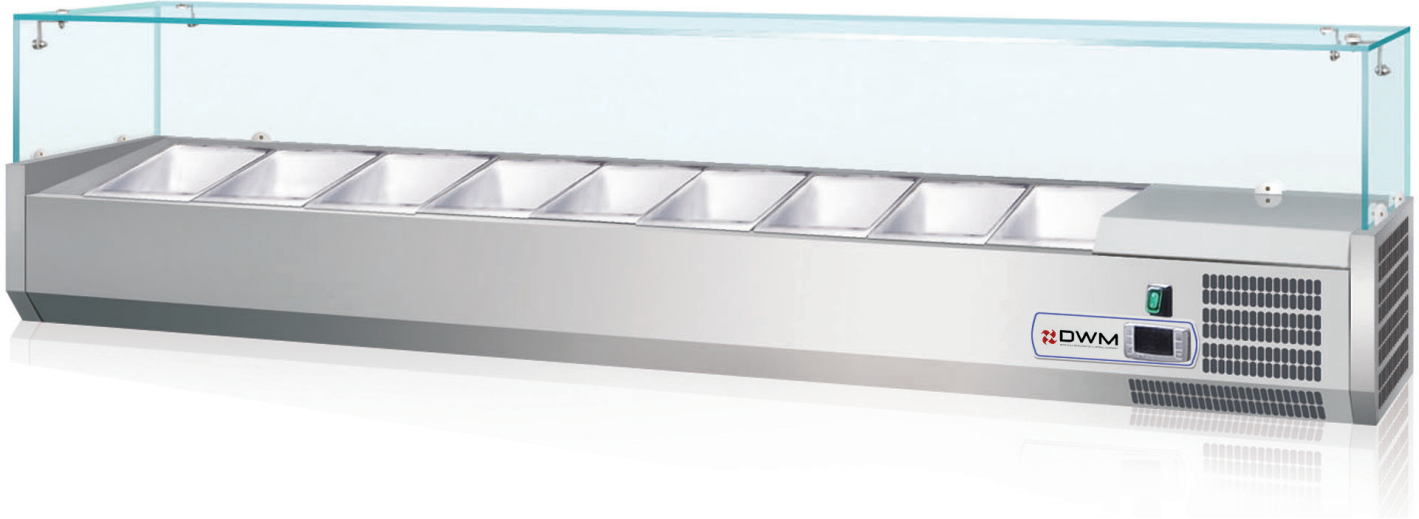


Gastronorm Topping Units

**1 year
parts
warranty**



+2/+8



Standard features:

GN Containers are not included - please refer to page 133

- Square glass or stainless steel lid
- Static cooling
- Without welding completely formed
- Adjustable thermostat with digital display unit
- Available with either a stainless steel lid or a glass display cover
- AISI304 Stainless steel interior and exterior
- Fully automatic operation
- 13AMP supply
- Suitable for use in ambient temp. up to 25°C & 65% RH
- Ideal for pizza, salad and sandwich preparation

Model	Width (mm)	Height (mm)	Depth (mm)	Temp Range (°c)	Weight (kg)	GN Capacity	Refrigerant	Auto Defrost	RRP
VRX1200GLASS	1200	435	395	+2/+8	41	5 x 1/3	R600	Yes	£1014
VRX1200S/S	1200	425	395	+2/+8	24	5 x 1/3	R600	Yes	£1014
VRX1400GLASS	1400	425	395	+2/+8	45	6 x 1/3	R600	Yes	£1001
VRX1500GLASS	1500	435	395	+2/+8	49	7 x 1/3	R600	Yes	£1027
VRX1500S/S	1500	425	395	+2/+8	30	7 x 1/3	R600	Yes	£1027
VRX2000GLASS	2000	435	395	+2/+8	62	9 x 1/3	R600	Yes	£1234
VRX2000S/S	2000	425	395	+2/+8	39	9 x 1/3	R600	Yes	£1234t

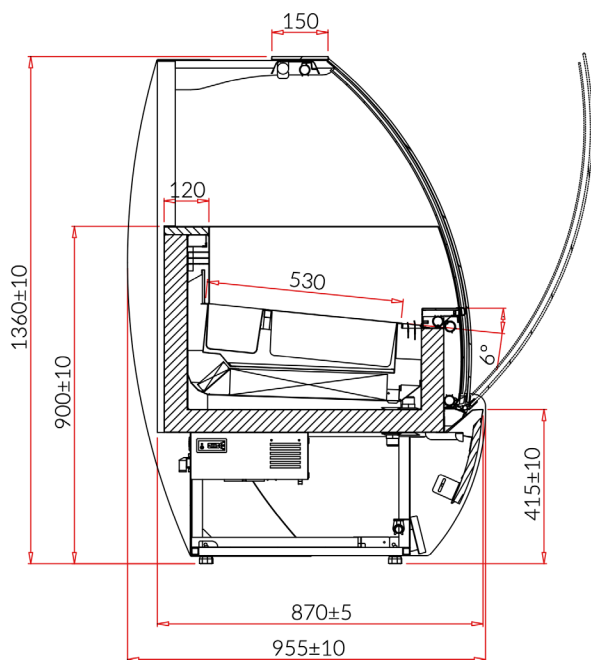
**2 year
parts
warranty**

Kameleo Ice Ice cream counter

IGLOO

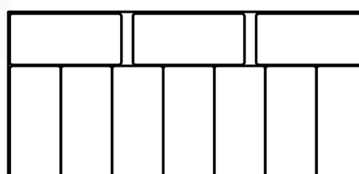


-10/-20



big containers

360 x 250 mm



standard containers

360 x 165 mm

Standard features:

Napoli pans are not included - please refer to page 133

- Ventilated cooling
- Wooden external housing with side panels
- Curved front openable glass
- Holds 10 napoli pans (size 360 x 165) or 6 napoli pans (size 360 x 250)
- Stainless steel worktop
- Night roller blind
- LED lighting
- Auto defrost
- Electronic temperature controller with digital display
- Suitable for use in ambient temp. up to 25°C & 65% RH
- Scoop wash container
- Factory order 6-8 weeks delivery

Model	Width (mm)	Height (mm)	Depth (mm)	Temp. Range (°C)	Power (w)	Weight (kg)	Voltage	Energy Consumption	Refrigerant	Auto defrost	RRP
JA101KM	1400	1360+/-10	955+/-10	-10/-20	2062	300	230/50Hz	14.6 (kWh/24h)	R404a	Yes	£8928

Optional Extras:

608	Additional base plinth (per meter)	£93	3004	Device without wooden panels	-£150
609	Additional front panel (per meter)	£262	123	Multiplexing (per unit)	+10%
610	Additional side panel	£370	303	20mm Grey granite worktop (per meter)	£293
611	Additional thin side panel	£308	902	Napoli pan 360mm x 165mm	£54
900	Napoli pan 360mm x 250mm	£64	1030	Automatic scoop wash with water flow	£412



Innova

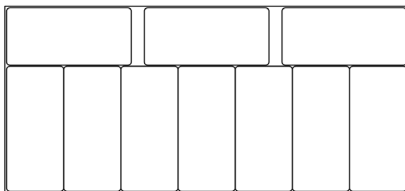
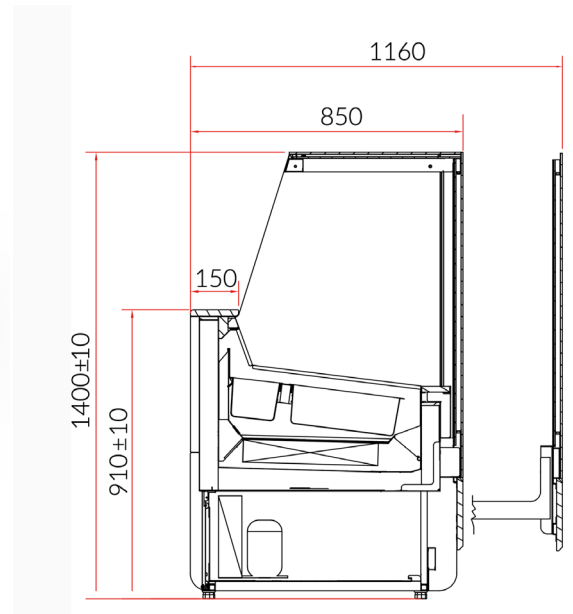
Soft Scoop Ice Cream Display

Multiplexable Device

**2 year
parts
warranty**



-10/-20



standard containers

360 x 165 mm



big containers

360 x 250 mm

Standard features:

Napoli pans are not included - please refer to page 133

- Ventilated cooling
- Dynamic cooling with automatic defrost
- External glass elements made of combined glass with argon filling and black silk screen
- Innovative system of withdrawable front with electromagnetic lock
- Black wooden exterior standard
- Exposition area made of stainless steel
- Holds 10 napoli pans (size 360 x 165) or 6 napoli pans (size 360 x 250)
- Kick plinth made of stainless steel
- Base exterior from staff side made of black coated steel
- Night roller blind (manual)
- LED illuminated front frame
- Electric temperature controller with digital display
- Suitable for use in ambient temp. up to 25°C & 65%RH
- Scoop wash container
- Different colour options 6-8 weeks

Model	Width (mm)	Height (mm)	Depth (mm)	Temp. Range (°C)	Power (w)	Weight (kg)	Loading capacity	Energy Consumption	Refrigerant	Auto defrost	RRP
INN-ICE140	1400	1400+/-10	850	-10/-20	1204	300	10 pans	14.7 (kWh/24h)	R404a	Yes	£11197

Optional Extras:

	Colour option (per meter)	£130	900	Napoli pan 360mm x 250mm	£65
902	Napoli pan 360mm x 165mm	£54	1030	Scoop wash container with water flow system	£412
3002	Castors (per meter)	£250			

**2 years
parts
warranty**

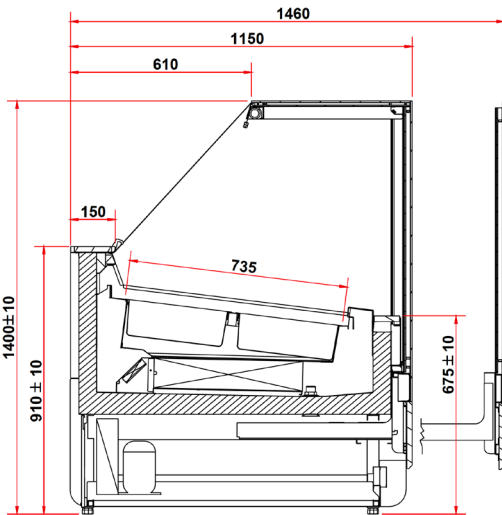
Innova Deep Ice

Ice Cream Display
Multiplexable Device

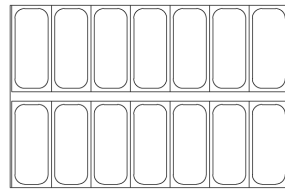


-10/-20

NEW



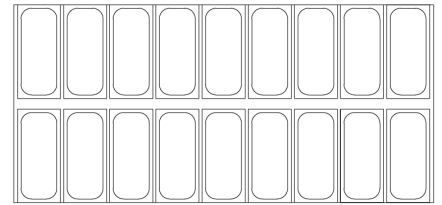
INNOVA ICE DEEP 14



standard containers

360 x 165 mm

INNOVA ICE DEEP 18



standard containers

360 x 165 mm

Standard features:

Napoli pans are not included - please refer to page 133

- Ventilated cooling with automatic defrost
- External glass elements made of combined glass with argon filling and black silk screen
- Innovative system of withdrawable front with electromagnetic lock
- Wooden exterior
- Exposition area make of stainless steel
- Holds 10 napoli pans (360x165) or 6 napoli pans (360x250) ** Napoli pans not included**
- Kick plinth made of stainless steel
- Base exterior from staff side made of black coated steel
- Manual night roller blind
- LED illuminated front frame
- Electric temperature controller with digital display
- Suitable for use in ambient temp. up to 25°C
- Scoop wash container
- Display area depth 735mm

Model	Width (mm)	Height (mm)	Depth (mm)	Temp Range (°C)	Weight (kg)	Voltage	Energy Consumption	Refrigerant	Auto Defrost	RRP
INN-ICE140.14	1400	1400+10	850	-10/-20	400	230/50Hz	14.7 (kWh/24h)	R507	YES	£12138
INN-ICE175.18	1750	1400+10	850	-10/-20	470	230/50Hz	14.7 (kWh/24h)	R507	YES	£14659

Optional Extras:

123	Multiplexing (per unit)	Plus 10%	900	Napoli pan 360x250mm	£65
902	Napoli pan 360x165mm	£54	1030	Scoop wash container with water flow system	£412
3002	Castors (per meter)	£250			



Cube 2 Ice/ Cube 2 Ice Deep

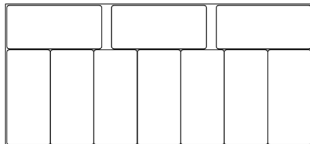
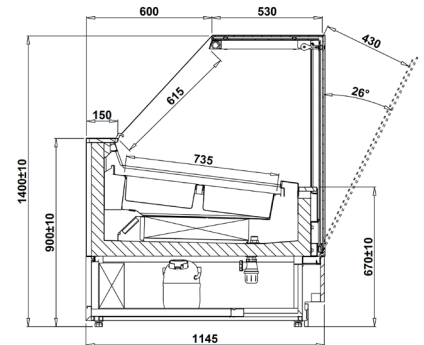
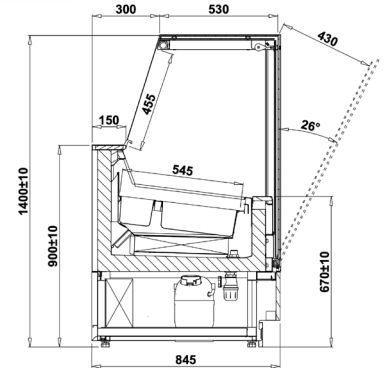
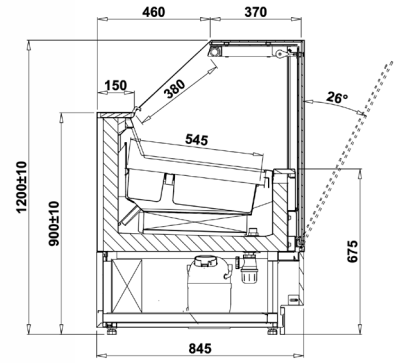
Ice Cream Display
Multiplexable Device

**2 years
parts
warranty**



-10/-20

NEW



standard containers

360 x 165 mm

Standard Features:

Napoli pans are not included - please refer to page 133

- Ventilated cooling
- 13 AMP supply
- Electronic temperature controller with digital display
- Auto defrost
- Stainless steel worktop
- Manual roller blind
- Exposition area made of stainless steel prepared for GN containers 165x360mm
- LED Lighting on top and front frame
- Kick Plinth made of stainless steel
- Base from staff side made of coated steel
- Device levelling legs
- Suitable for use in ambient temp up to 25°
- Automatic condensor vaporization

Model	Width (mm)	Height (mm)	Depth (mm)	Temp Range (°c)	Pan capacity	Weight (kg)	Voltage	Refrigerant	Auto Defrost	RRP
CU2-ICE-140-14	1400	1400	1145	-10/-20	14	375	230/50Hz	R290	Yes	£10944
CU2-ICE-175-18	1750	1400	1145	-10/-20	18	450	230/50Hz	R290	Yes	£13492
CU2-ICE140.140	1400	1400	845	-10/-20	10	350	230/50Hz	R290	Yes	£10167
CU2-ICE140.120	1400	1200	845	-10/-20	10	340	230/50Hz	R290	Yes	£9526

Optional Extras:

604	Stainless steel finish (per meter)	POA	903	Stainless steel front panel (per meter)	£115
909	Stainless steel base (per meter)	£69	1020	Automatic scoop wash with water flow	£412
1019	Napoli pans 5ltr (each)	£50	1030	Scoop wash container	POA
321	Electronic temp.recorder, software & wire	£170	3006	Additional LED light on front base panel (per meter)	£120

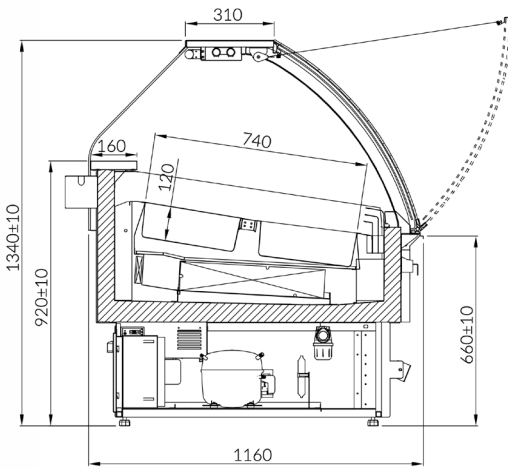
**2 years
parts
warranty**

Adria Ice
Ice Cream Display



-10/-20

NEW



Standard Features:

Napoli pans are not included - please refer to page 133

- Ventilated cooling
- 13 AMP supply
- Electronic temperature controller with digital display
- Auto defrost
- Stainless steel display area
- Manual roller blind
- Exposition area made of stainless steel prepared for GN containers 165x360mm
- Double LED top lighting
- Kick plinth made of stainless steel
- Base from staff side made of coated steel
- Device levelling legs
- Suitable for use in ambient temp up to 25°
- Automatic condensor vaporization

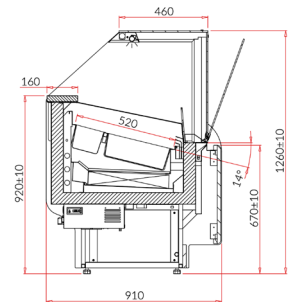
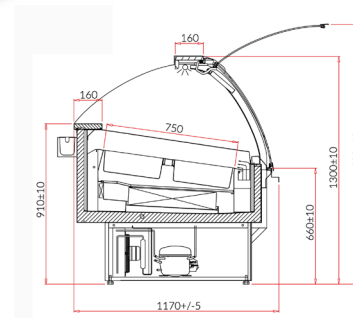
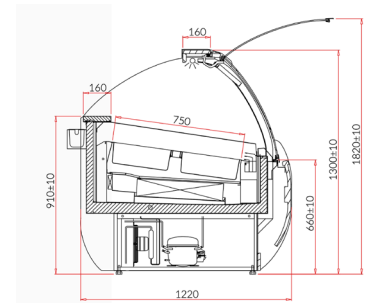
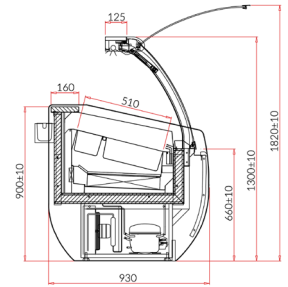
Model	Width (mm)	Height (mm)	Depth (mm)	Temp Range (°c)	Pan Capacity	Weight (kg)	Voltage	Energy Consumption	Refrigerant	Auto Defrost	RRP
ADRIA1.25ICE	1250	1340	1160	-10/-20	14	370	230/50Hz	16.7(kWh/24h)	R290	Yes	£9062

Optional Extras:

604	Stainless steel finish (per meter)	POA	903	Stainless steel front panel (per meter)	£115
909	Stainless steel base (per meter)	£69	1020	Automatic Scoop wash with water flow	£412
1019	Napoli pans 5ltr (each)	£50	1030	Scoop wash container	POA
321	Electronic temp.recorder, software & wire	£170	3006	Additional LED light on front base panel (per meter)	£120



-10/-20



Standard features:

Napoli pans are not included - please refer to page 133

- Ventilated cooling
- 13 AMP supply
- Single phase supply
- Electronic temperature with digital display
- Confectionary colour LED lighting
- Auto Defrost
- Front curved glass with telescopic lifting system
- Compressor on built in rails
- Roller blind
- Warm air front glass defogger
- Different finishes available
- Maximum 8kg per pan
- Suitable for use in ambient temp. up to 25°C & 65% RH
- Scoop wash container
- ARUBA2500 (3 phase option)

Model	Width (mm)	Height (mm)	Depth (mm)	Temp. Range(°C)	Loading capacity	Energy Consumption	Weight (kg)	Power (w)	Refrigerant	Auto Defrost	RRP
ARUBA2/1000T	1070	1300+/-10	930	-10/-20	7 Pans	12.2 (kWh/24h)	195	1020	R404a	Yes	£7497
ARUBA2/1250T	1385	1300+/-10	930	-10/-20	10 Pans	12.7 (kWh/24h)	245	1283	R404a	Yes	£8754
ARUBA 1250T	1385	1300+/-10	1220	-10/-20	14 Pans	16.1 (kWh/24h)	245	1283	R404a	Yes	£10125
ARUBA 2500T	2635	1300+/-10	1220	-10/-20	28 Pans	32.3 (kWh/24h)	520	265	R404a	Yes	£15761
ARUBA2/1000SQR	1070	1260+/-10	930	-10/-20	7 Pans	12.2 (kWh/24h)	195	996	R404a	Yes	£7497
ARUBA2/1250SQR	1385	1260+/-10	930	-10/-20	10 Pans	12.7 (kWh/24h)	245	1037	R404a	Yes	£8754

Optional Extras:

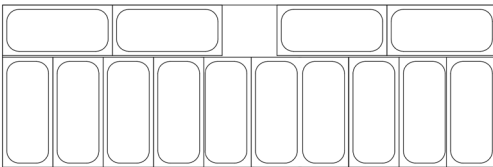
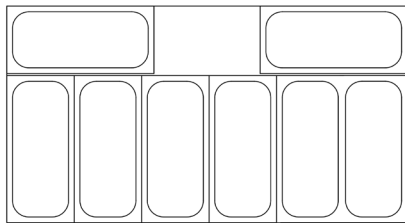
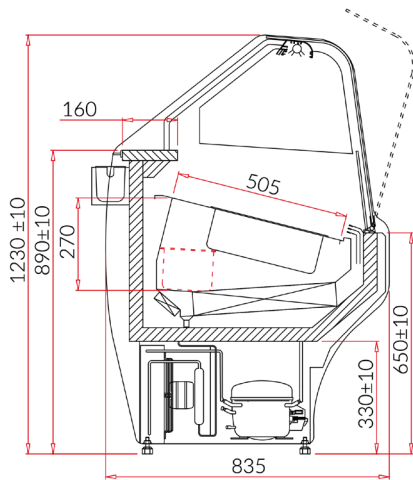
1019	Napoli Pans	£54	1030	Automatic scoop wash with water flow	£412
981	Trend finish	+10%	980	Stainless steel finish	+15%

**2 year
parts
warranty**

Gelatti
Soft Scoop Ice Cream Display



-10/-20



standard containers

Standard features:

Napoli pans are not included - please refer to page 133

- Ventilated cooling
- 13AMP supply
- Electronic temperature controller with digital display
- External housing made of white coated steel
- Stainless steel worktop
- Auto defrost
- Openable curved front glass
- Compressor on built in rails for easy servicing
- Sides in ABS with polyurethane
- Exposition area made of stainless steel
- Night roller blind
- Device levelling legs
- Scoop wash container
- Gelatti 1000 has storage for an extra 2 pans
- Gelatti 1700 has storage for an extra 4 pans
- Suitable for use in ambient temp. up to 25°C & 65% RH
- Gold finish factory order 6-8 weeks

Model	Width (mm)	Height (mm)	Depth (mm)	Temp. Range(°c)	Loading capacity	Energy Consumption	Weight	Voltage	Refrigerant	Auto Defrost	RRP
GELATTI 1000	1050	1230+/-10	835	-10/-20	8 Pans	9.3 (kWh/24h)	120	230/50Hz	R404a	Yes	£5485
GELATTI 1700	1710	1230+/-10	835	-10/-20	14 Pans	18.4 (kWh/24h)	180	230/50Hz	R404a	Yes	£8340

Optional Extras:

604	Staff side in stainless steel finish (per meter)	£54	903	Stainless steel front panel (per meter)	£115
909	Stainless steel base (per meter)	£69	1020	Automatic scoop wash with water flow	£412
1019	Napoli pans (5ltr)	£54			

**2 years
parts
warranty**

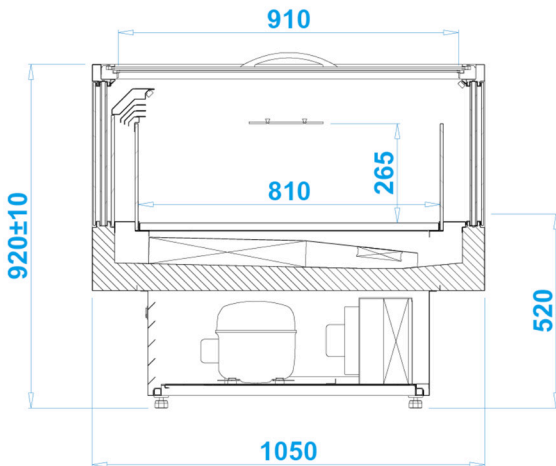
Icecraft
Freezer Display

IGLOO



-18/-24

NEW



Standard features:

- Ventilated cooling
- Automatic hot gas defrosting
- Automatic evaporation of condensation
- Electronic temperature controller with digital display
- Sliding glass lid system
- LED Lighting (White or Confectionary)
- Factory order 6-8 weeks
- Thermometer in display area
- Powder coated exposition area
- AC fans
- Evaporating temperature is -32°

Model	Width (mm)	Height (mm)	Depth (mm)	Temp Range (°c)	Power (W)	Voltage	Energy Consumption	Refrigerant	Auto Defrost	RRP
ICC120	1200	920	1050	-18/-24	1259	230/50Hz	15.5 (kWh/24h)	R290	Yes	£7461
ICC130	1600	920	1050	-18/-24	1655	230/50Hz	19.8 (kWh/24h)	R290	Yes	£9796
ICC140	2000	920	1050	-18/-24	1820	230/50Hz	24.3 (kWh/24h)	R290	Yes	£10350
ICC150	2500	920	1050	-18/-24	2097	230/50Hz	29.8 (kWh/24h)	R290	Yes	£12768

Optional Extras:

3002	Castors (per set)	£250	127	Stainless steel bumpers (per meter)	£190
124	Mesh partitions to keep products in order (per pcs)	£75			



Toronto

Hinged Solid Lid Chest Freezers

**1 year
parts
warranty**



DFS -18/-34



DF -8/-22



Standard features:

- Manual temperature control
- Manual Defrost
- Control panel
- Fast freeze switch
- Temperature warning light
- Built in condenser
- Solid lid with integrated lock in white or stainless steel
- Mains light
- 2 castors at rear and 2 rollers
- Climate class 4

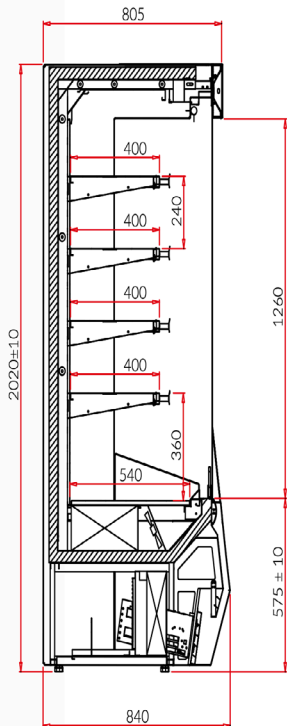
Model	Width (mm)	Height (mm)	Depth (mm)	Temp. Range (°c)	Weight (kg)	Capacity (ltr)	Voltage (V)	Power	Refrigeration	Auto Defrost	RRP
D500DF	1555	845	720	-8/-22	74	489	220-240	13 AMP	R134a	Yes	£1019
D400DFS	1305	845	720	-18/-34	58	391	220-240	13 AMP	R134a	Yes	£1036
D500DFS	1555	845	720	-18/-34	67	479	220-240	13 AMP	R134a	Yes	£1221

**2 year
parts
warranty**

Timor
Multideck Display



+1/+10



Standard features:

- Ventilated cooling
- 13AMP supply
- Electronic temperature controller with digital display
- Interior and exposition shelves made of white coated steel
- LED lighting
- Auto defrost
- Compressor on built in rails
- Automatic condensate evaporation (electric evaporator)
- Exposition shelves with height and angle adjustment
- Night roller blind
- Base and front panel made of white coated steel
- Front panel made of painted steel
- Price strips
- Suitable for use in ambient temp. up to 25°C & 65%RH
- Factory order 6-8 weeks delivery

Model	Width (mm)	Height (mm)	Depth (mm)	Temp Range (°c)	Power (w)	Weight (kg)	Voltage	Energy Consumption	Refrigerant	Auto Defrost	RRP
TR100	1020	2020+/-10	840	+1/+10	753	175	230/50Hz	10.5 (kWh/24h)	R404a	Yes	£6158
TR101	1330	2020+/-10	840	+1/+10	892	220	230/50Hz	12.5 (kWh/24h)	R404a	Yes	£6829
TR102	1630	2020+/-10	840	+1/+10	1181	235	230/50Hz	16.5 (kWh/24h)	R404a	Yes	£7504
TR103	1940	2020+/-10	840	+1/+10	1408	280	230/50Hz	19.7 (kWh/24h)	R404a	Yes	£8142
TR104	2560	2020+/-10	840	+1/+10	1812	340	230/50Hz	25.4 (kWh/24h)	R404a	Yes	£10169

Optional Extras:

2201	Insulated side panels made of stainless steel	£335	2248	Different coloured steel side panels	£500
2260	Automatic defrost (electric heaters)	£150	2250	Top panel made of full stainless steel (per meter)	£73
2206	Wooden top panel (per meter)	£134	2252	Different colour front panel (per meter)	£50
2208	Front panel made of stainless steel (per meter)	£170	2254	Different base colour (per meter)	£40
2209	Base panel made of stainless steel (per meter)	£134	2246	Fixed partition made of PETG (plexiglass)	£219
1204	Good securing fence	£25	2258	Additional illuminated shelf (per meter)	£134
2244	Internal top mirrors	£98	1120	Meat hooks	£134
2256	Device interior and exposition shelves made of stainless steel (per meter)				



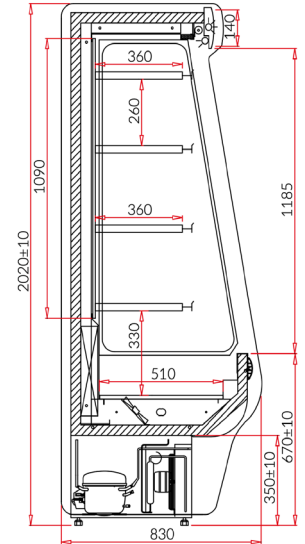
Rodos

High Profile Multideck
Multiplexable Device

**2 year
parts
warranty**



+2/+8



Standard features:

- Ventilated cooling
- 13 AMP supply
- Electronic temperature controller with digital display
- White LED lighting top panel
- Compressor on built in rails
- 4 Adjustable sloping shelves and lighting
- Automatic condensate evaporation (electric evaporator)
- ABS sides with glass
- Night blind
- Remote versions available
- Suitable for dairy products, deli, meat, sandwiches and chilled drinks
- Suitable for use in ambient temp. up to 25°C & 65% RH
- Factory Order 6-8 weeks
- Adjustable legs

Model	Width (mm)	Height (mm)	Depth (mm)	Temp Range (°C)	Power (w)	Weight (kg)	Voltage	Energy Consumption	Refrigerant	Auto Defrost	RRP
RODOS100	1000	2020+/-10	830	+2/+8	663	175	230/50Hz	15.4 (kWh/24h)	R404a	Yes	£4584
RODOS130	1310	2020+/-10	830	+2/+8	797	220	230/50Hz	15.9 (kWh/24h)	R404a	Yes	£5057
RODOS160	1610	2020+/-10	830	+2/+8	927	235	230/50Hz	20.5 (kWh/24h)	R404a	Yes	£5984
RODOS190	1920	2020+/-10	830	+2/+8	1482	280	230/50Hz	20.9 (kWh/24h)	R404a	Yes	£6861
RODOS250	2540	2020+/-10	830	+2/+8	1506	340	230/50Hz	25.5 (kWh/24h)	R404a	Yes	£8711
RODOS100-C (REMOTE)	1000	2020+/-10	830	-	100	130	230/50Hz	1.6 (kWh/24h)	R404a	Yes	£3068
RODOS130-C (REMOTE)	1230	2020+/-10	830	-	132	175	230/50Hz	2.1 (kWh/24h)	R404a	Yes	£3501
RODOS160-C (REMOTE)	1530	2020+/-10	830	-	176	190	230/50Hz	2.8 (kWh/24h)	R404a	Yes	£4172
RODOS190-C (REMOTE)	1840	2020+/-10	830	-	200	235	230/50Hz	3.2 (kWh/24h)	R404a	Yes	£4894
RODOS250-C (REMOTE)	2460	2020+/-10	830	-	224	290	230/50Hz	3.6 (kWh/24h)	R404a	Yes	£6357

Optional Extras:

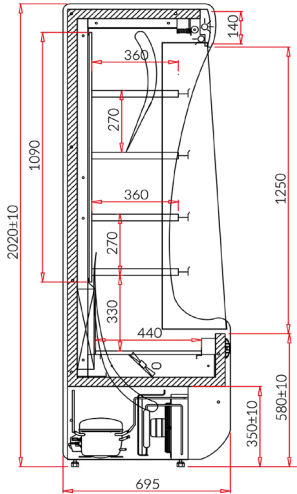
1120	Meat hooks	£134	507	Auto condensate evap. (electric evap)	£320
1204	Goods securing fence (only with full shelves)	£25	1136	Stainless steel shelves and interior	£300

**2 year
parts
warranty**

Paros
High Profile Multideck Display
Multiplexable device



+3/+10



Standard features:

- Ventilated cooling
- 13AMP supply
- Electronic temperature controller with digital display
- Top panel with LED lighting
- Internal top LED illumination (in white)
- Auto defrost
- Compressor on built in rails
- Automatic condensate evaporation (electric evaporator)
- 4 Height adjustable sloping shelves
- Sides in ABS with glass and polyurethane
- Night blind
- White coated steel shelves and interior
- Suitable for dairy products, deli, meat, sandwiches and chilled drink
- Remote versions available
- Adjustable legs
- Price strips
- Suitable for use in ambient temp. up to 25°C & 65%RH

Model	Width (mm)	Height (mm)	Depth (mm)	Temp Range (°C)	Power (w)	Weight (kg)	Voltage	Energy Consumption	Refrigerant	Auto Defrost	RRP
PAROS100	1000	2020+/-10	695	+3/+10	663	150	230/50Hz	15.4 (kWh/24h)	R404a	Yes	£4489
PAROS130	1310	2020+/-10	695	+3/+10	797	180	230/50Hz	15.9 (kWh/24h)	R404a	Yes	£4954
PAROS160	1610	2020+/-10	695	+3/+10	927	210	230/50Hz	20.5 (kWh/24h)	R404a	Yes	£5822
PAROS190	1920	2020+/-10	695	+3/+10	1482	250	230/50Hz	20.9 (kWh/24h)	R404a	Yes	£6778
PAROS250	2540	2020+/-10	695	+3/+10	1506	290	230/50Hz	25.5 (kWh/24h)	R404a	Yes	£8480
PAROS100-C (REMOTE)	1000	2020+/-10	695	-	100	115	230/50Hz	1.6 (kWh/24h)	R404a	Yes	£2969
PAROS130-C (REMOTE)	1310	2020+/-10	695	-	132	145	230/50Hz	2.1 (kWh/24h)	R404a	Yes	£3424
PAROS160-C (REMOTE)	1610	2020+/-10	695	-	164	175	230/50Hz	2.8 (kWh/24h)	R404a	Yes	£4014
PAROS190-C (REMOTE)	1920	2020+/-10	695	-	198	215	230/50Hz	3.2 (kWh/24h)	R404a	Yes	£4699
PAROS250-C (REMOTE)	2540	2020+/-10	695	-	224	255	230/50Hz	3.6 (kWh/24h)	R404a	Yes	£6134

Optional Extras:

1204	Goods securing fence (only with full shelves)	£25	1136	Stainless steel shelves and interior	£385
1120	Meat hooks	£134			



Bali

Multideck Display

**2 year
parts
warranty**



+1/+10



Standard features:

- Ventilated cooling
- 13AMP supply
- Electronic temperature controller with digital display
- White LED lighting top panel
- Auto defrost
- Compressor on built in rails
- Automatic condensate evaporation (electric evaporator)
- 4 Adjustable sloping shelves with lighting
- ABS side with glass
- Night blind
- Remote versions available
- Suitable for dairy products, deli, meat, sandwiches and chilled drinks
- Suitable for use in ambient temp. up to 25°C & 65%RH
- Factory order 6-8 weeks delivery
- Adjustable legs

Model	Width (mm)	Height (mm)	Depth (mm)	Temp Range (°c)	Power (w)	Weight (kg)	Voltage	Energy Consumption	Refrigerant	Auto Defrost	RRP
BL100	1020	2020+/-10	725	+1/+10	753	150	230/50Hz	10.5 (kWh/24h)	R404a	Yes	£5898
BL101	1330	2020+/-10	725	+1/+10	892	180	230/50Hz	12.5 (kWh/24h)	R404a	Yes	£6504
BL102	1630	2020+/-10	725	+1/+10	1181	270	230/50Hz	16.5 (kWh/24h)	R404a	Yes	£7056
BL103	1940	2020+/-10	725	+1/+10	1408	320	230/50Hz	19.7 (kWh/24h)	R404a	Yes	£7871
BL104	2560	2020+/-10	725	+1/+10	1812	380	230/50Hz	25.4 (kWh/24h)	R404a	Yes	£9595

Optional Extras:

2201	Insulated side panels made of stainless steel	£335	1120	Meat hooks	£134
2260	Automatic defrost (electric heaters)	£150	2250	Full top panel made of stainless steel	£73
2206	Wooden top panel (per meter)	£134	2252	Different colour front panel (per meter)	£50
2208	Stainless steel front panels	£170	2209	Base made of stainless steel (per meter)	£40
2246	Fixed partition made of PETG	£219	1204	Goods securing fence (per meter)	£25
2258	Additional illuminated shelf (per meter)	£134	181	Interior and exposition shelves made of stainless steel (per meter)	£440

**2 years
parts
warranty**

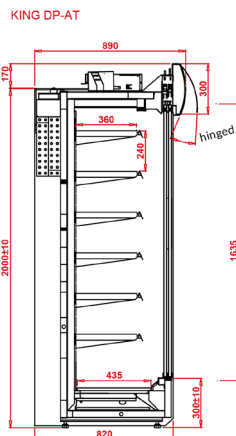
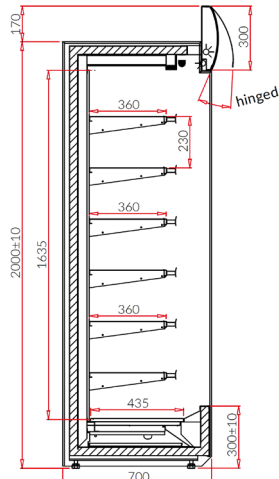
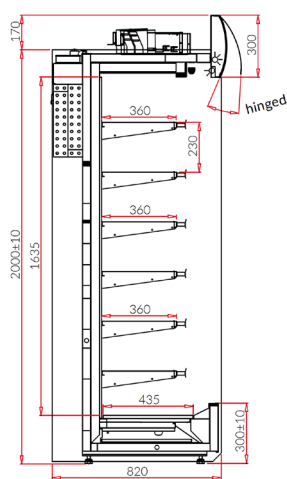
King AT
Multideck Display
Multiplexable Device

IGLOO



+1/+10

NEW



Standard features:

- Ventilated cooling
- Insulated side panels made of white coated seal
- Front bottom panel made of coated steel
- Opened top panel illuminated with LED lighting
- White/Confectionary LED lighting
- 6 levels of display shelves
- Price strips
- Automatic defrost
- Night roller blind
- Electronic temperature controller with digital display
- Multiplexable device
- Adjustable legs
- Factory order 6-8 weeks

Model	Width (mm)	Height (mm)	Depth (mm)	Temp Range (°c)	Power (W)	Voltage	Energy Consumption	Refrigerant	Auto Defrost	RRP
KG100AT	1000	2170+/-10	890	+1/+10	915	230/50Hz	9.3 (kWh/24h)	R404A	YES	£6046
KG101AT	1310	2170+/-10	890	+1/+10	1380	230/50Hz	12.4 (kWh/24h)	R404A	YES	£6907
KG102AT	1610	2170+/-10	890	+1/+10	1380	230/50Hz	12.6 (kWh/24h)	R404A	YES	£7654
KG103AT	1920	2170+/-10	890	+1/+10	1683	230/50Hz	16.3 (kWh/24h)	R404A	YES	£8836
KG104AT	2540	2170+/-10	890	+1/+10	2250	230/50Hz	20.6 (kWh/24h)	R404A	YES	£11122

Optional Extras:

123	Multiplexing (per unit)	Plus 10%	321	Electronic temp.recorder, software & wire	£170
1204	Goods securing fence (per meter)	£25	2209	Base made of stainless steel (per meter)	£134
120	Meat hooks (per meter)	£134	2208	Front panel made of stainless steel (per meter)	£170
224	Fixed partition made of plexiglass	£219	2258	Additional illuminated shelf (per meter)	£134



King AT M

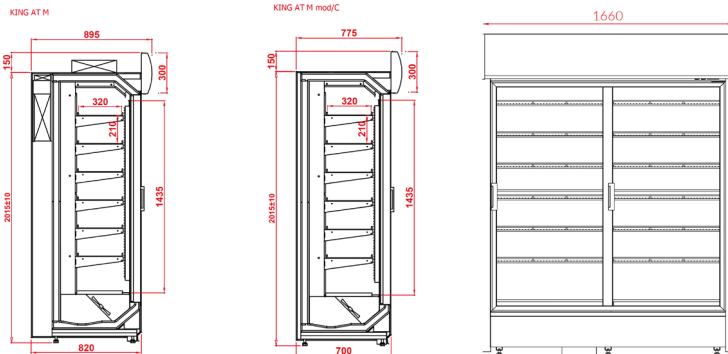
Multideck Display
Multiplexable Device

**2 years
parts
warranty**



-12/-18

NEW



Standard features:

- Ventilated cooling
- Insulated side panels made of white coated steel
- Front bottom panel made of coated steel
- Opened top panel illuminated with LED lighting
- White/Confectionary LED lighting
- 6 levels of display shelves
- Price strips
- Automatic defrost
- Night roller blind
- Electronic temperature controller with digital display
- Multiplexable device
- Adjustable legs
- Factory order 6-8 weeks

Model	Width (mm)	Height (mm)	Depth (mm)	Temp Range (°c)	Power (W)	Voltage	Energy Consumption	Refrigerant	Auto Defrost	RRP
KG108ATM	890	2165+/-10	820	-12/-18	760	230/50Hz	17.1 (kWh/24h)	R507	YES	£7426
KG102ATM	1660	2165+/-10	820	-12/-18	1540	230/50Hz	34.4 (kWh/24h)	R507	YES	£10867

Optional Extras:

123	Multiplexing (per unit)	Plus 10%	321	Electronic temp.recorder, software & wire	£170
1204	Goods securing fence (per meter)	£25	2209	Base made of stainless steel (per meter)	£134
120	Meat hooks (per meter)	£134	2208	Front panel made of stainless steel (per meter)	£170
224	Fixed partition made of plexiglass	£219	2258	Additional illuminated shelf (per meter)	£134

**2 years
parts
warranty**

Alaska Back Bar Cooler



0/+8



Standard features:

- Double glazed door
- Heat reflection glass
- Digital temperature display
- Temperature can be set
- Epoxy steel body painted in black
- Ventilated
- CE & ROHS certificate
- LED lighting

Model	Width (mm)	Height (mm)	Depth (mm)	Temp Range (°c)	Weight (kg)	Volume (Lt/cu.ft)	Voltage (V)	Refrigerant	Auto Defrost	RRP
BBC-60	600	900	520	+2/+10	48	138	230	R600	Yes	£973
BBC-92S	886	888	504	+2/+10	62	208	230	R600	Yes	£1486
BBC-92H	879	888	539	+2/+10	62	208	230	R600	Yes	£1486
BBC-133S	1350	900	520	+2/+10	80	320	230	R600	Yes	£1945
BBC-135S	1350	900	520	0/+8	80	320	230	R600	Yes	£1493
BBC-90H	900	900	520	0/+8	60	223	230	R600	Yes	£1150
BBC90S	900	900	520	0/+8	60	223	230	R600	Yes	£1288



Visicooler

Double Glass Door Display Refrigerator

**1 year
parts
warranty**



0/+13



Standard features:

- 2 Vertical internal LEO lights
- Internal light switch
- Door lock fitted as standard
- Fan assisted cooling
- Fully automated operation
- Easily replaceable door gaskets
- Adjustable thermostat
- Self closing double glazed tempered sliding glass doors
- Horizontal internal light
- Steel sheet body with electrostatic white powder paint
- Easy clean pre painted steel sheet inner lining
- 4 fully adjustable plastic coated wire shelves with heavy duty support clips
- 4 adjustable feet
- 13 AMP plug supplies as standard
- Easy maintenance for cooling equipment
- Suitable for use in ambient temp. up to 25°C & 65% RH

Model	Dimensions (Ext) (W x H x D) mm	Dimensions (Int) (W x H x D) mm	Temp Range (°C)	Net Volume (ltr)	Volume (cu.ft)	Can capacity	Voltage	Refrigerant (CFC Free)	Auto Defrost	RRP
VIZ900SCD	1103 x 2000 x 689	1028 x 1355 x 508	0/+13	852	23.5	900	230/50Hz	R290	Yes	£2114

Optional Extras:

SHLF-VIZ90	Plastic coated white shelf	£59.00								
-------------------	----------------------------	--------	--	--	--	--	--	--	--	--

**1 year
parts
warranty**

Visicooler
Glass Door Display Refrigerators



Standard features:

- Door lock fitted as standard
- Built in door handle
- Fan assisted cooling
- Easily replaceable door gasket
- Adjustable analogue thermostat
- Double glazed doors with tempered glass
- Horizontal internal light
- Easy clean white ABS inner lining
- 5 Fully adjustable shelving (chrome plastic coated) plus bottom rack
- 2 adjustable front feet and 2 castors at the rear
- 10 amp plug supplies as standard
- VIZ372C version with the illuminated canopy for branding
- No on/off switch for interior light
- Steel sheet body with electrostatic white powder paint
- Suitable for use in ambient temp. up to 25°C & 65% RH

Model	Dimensions (Ext) (W x H x D) mm	Dimensions (Int) (W x H x D) mm	Temp Range (°C)	Power required	Capacity (ltr)	Can Capacity	Voltage	Refrigerant	Auto Defrost	RRP
VIZ372	600 x 1863 x 621	490 x 1570 x 447	0/+10	13 AMP Supply	382	399 x 355ml	230/50Hz	R600	Yes	£1221
VIZ372C	595 x 2000 x 650	490 x 1557 x 447	0/+10	13 AMP Supply	382	399 x 355ml	230/50Hz	R600	Yes	£1040
VIZ24C	595 x 1500 x 650	490 x 1070 x 453	0/+10	13 AMP Supply	240ltr	273 x 355ml	230/50Hz	R600	Yes	£1002

Optional Extras:

SHLF-VIZ90	Plastic coated white shelf	£59.00			
-------------------	----------------------------	--------	--	--	--



Visicooler

Glass/Solid Door Fridges

**1 year
parts
warranty**



0/+8



Standard features:

- White cabinet ABS inside
- Roll bond evaporator
- Lock fitted as standard
- Reversible Door
- 4 Adjustable shelves + 1/2 shelf at the bottom
- Adjustable feet at front, roller at back
- Fan assisted cooling
- Automatic defrost
- Dixell digital thermostat
- Removable Gasket
- Self closing door
- Aluminium Door Profile
- Foaming agent cyclopentane
- Suitable for use in ambient temp. up to 25°C & 65% RH

Model	Width (mm)	Height (mm)	Depth (mm)	Temp. Range (°c)	Weight (kg)	NET Capacity (ltr)	Compressor	Consumption (kWh/24h)	Defrost	Refrigerant	RRP
VIZ364FR	600	1875	640	0/+8	74	364ltr	Zanussi	1.64	Auto	R600a	£1464

**1 year
parts
warranty**

Visicooler
Solid Door Freezer



-18/-23



Standard features:

- White cabinet ABS inside
- Lock fitted as standard
- Reversible door
- 6 Evaporator shelves
- Adjustable feet at front, rollers at back
- Dixell digital thermostat
- Self closing door
- Handle along door profile
- Removable gasket
- Foaming agent cyclopentane
- Suitable for use in ambient temp. up to 25°C & 65% RH

Model	Width (mm)	Height (mm)	Depth (mm)	Temp. Range (°c)	Weight (kg)	NET Capacity (ltr)	Compressor	Consumption (kWh/24h)	Defrost	Refrigerant	RRP
VIZ320FZ	600	1875	640	-18/-23	77	320	Zanussi	3.14	Manual	R134a	£1595



Compact Pizza Preparation Counter

Gastronorm Preparation Table

**1 year
parts
warranty**



+2/+5

NEW



Standard features:

GN Containers are not included - please refer to page 133

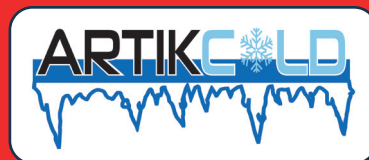
- Ventilated cooling
- Self closing doors when less than 90° open
- Magnetic sealing strips keeping cold air inside
- Digital thermostat
- Internal LED light
- Automatic defrost cooling system
- Castors fitted as standard
- Adjustable legs
- Inner box has curved edges for easy cleaning
- Exterior material stainless steel SS430
- Interior pre coated aluminium
- 3 Door counter available from May 2022

Model	Width (mm)	Height (mm)	Depth (mm)	Temp Range (°c)	GN Capacity	Volume (lt)	Doors	Voltage	Refrigerated	RRP
PZ300/760	1555	1152	770	+2/+5	8x1/3	505	2	230/50Hz	R290	£3048
PZ400/760	1840	1152	770	+2/+5	10x 1/3	601	3	230/50Hz	R290	£3445

**1 year
parts
warranty**

Compact Pizza Preparation Counter

Gastronorm Preparation Table



0/+10



Standard features:

GN Containers are not included - please refer to page 133

- Compressor is situated underneath the storage compartment for maximum storage space
- Working height 101cm
- Fan assisted cooling
- Adjustable thermostat with digital display unit
- Castors fitted as standard
- Comes with 1/1 GN shelves per door
- Stainless steel work surface 30cm deep (1/3GN version)
- AISI304 Stainless steel interior and exterior body
- Fully automatic operation
- 40mm insulation all round
- 13AMP supply
- CFC Free
- Suitable for use in ambient temp. up to 25°C & 65% RH

Model	Width (mm)	Height (mm)	Depth (mm)	Temp Range (°c)	GN Capacity	Weight (kg)	Volume (lt)	Doors	Auto Defrost	Refrigerated	RRP
PS200	900	970	700	0/+10	5 x 1/3	68	240	2	Yes	R290	£1860
PS300	1365	970	700	0/+10	7 x 1/3	99	392	3	Yes	R290	£2162



Compact Saladette

1/1 GN Preparation Counter

**1 year
parts
warranty**



+4/+10



Standard features:

GN Containers are not included - please refer to page 133

- Compressor is situated underneath the storage compartment for maximum space
- 35 mm door handles with smooth edges
- Fan assisted cooling with continuous evaporator without welding
- Easily replaceable magnetic door gasket
- Adjustable thermostat with digital display unit
- Comes with 1 x 1/1 GN shelf per door
- Castors fitted as standard
- Polythene working surface 135mm deep
- AISI304 Stainless steel interior and exterior body
- Fully automatic defrost
- 40mm insulation all round
- 13AMP supply
- CFC free
- GN compatible (NOT included)
- Suitable for use in ambient temp. up to 25°C & 65% RH

Model	Width (mm)	Height (mm)	Depth (mm)	Temp Range (°c)	Weight (kg)	Volume (lt/cu.ft)	GN Capacity	Doors	Auto Defrost	Refrigerated	RRP
S900	900	850	740	+4/+10	65	257/8.5	2 x 1/1 + 3 x 1/6	2	Yes	R290	£1048
S903STD	1365	850	740	+4/+10	93	400/13	4 x 1/1	3	Yes	R290	£2088

**1 year
parts
warranty**

Pizza Counter

1/3 Gastronorm preparation Table



Standard features:

GN Containers are not included - please refer to page 133

- Ventilated cooling with continuous evaporator without welding
- Easily replaceable magnetic door gasket
- Self closing doors
- Removable condensing unit
- Adjustable thermostat with digital display unit
- Comes with height adjustable 1 x 1/1GN shelves per door
- Stainless steel working area SH3000/700 305mm deep and SH3000/800 405mm deep
- Heavy duty castors fitted as standard
- AISI304 Stainless steel interior and exterior
- Fully automatic operation
- Automatic defrost and evaporation of the condensed water
- 55mm insulation all round
- CFC Free
- 13AMP supply
- Suitable for use in ambient temp. up to 25°C & 65% RH
- Castors fitted as standard

Model	Width (mm)	Height (mm)	Depth (mm)	Temp Range (°C)	GN Capacity	Weight (kg)	Volume (lt)	Doors	Working Surface (mm)	Refrigerated	RRP
SH2000/700	1360	1085	700	-2/+8	7 x 1/3GN	100	282	2	1360 x 305	R290	£2647
SH3000/700	1795	1085	700	-2/+8	8 x 1/3GN	121	417	3	1800 x 305	R290	£3126
SH3000/800	2020	1085	800	-2/+8	10 x 1/3GN	145	580	3	2020 x 405	R290	£3420

Optional Extras:

SHSHELF	Shelf	£96	SHLEG	Legs	£96
----------------	-------	-----	--------------	------	-----



Pizza Counter

1/3 Gastronorm Preparation Table with Granite Top

1 year parts warranty



-2/+8



Standard features:

GN Containers are not included - please refer to page 133

- Fan assisted cooling
- Easily replaceable magnetic door gaskets
- Adjustable thermostat with digital display unit
- Comes with 1 x 600 x 400mm adjustable shelf per door
- Granite work surface 770mm deep, 100mm high
- Castors as standard
- Self closing doors
- Removable condensing unit
- AISI304 stainless steel interior and exterior body
- Fully automatic operation
- 55mm CFC free insulation all round
- 13AMP supply
- Auto defrost
- Suitable for use in ambient temp. up to 25°C & 65% RH
- Height with topping unit (1415mm)

Model	Width (mm)	Height (mm)	Depth (mm)	Temp Range (°C)	Doors	Weight (kg)	Volume (lt)	Gn Capacity	Working Surface (mm)	Refrigerated	RRP
PZ2600TN	1510	1000	800	-2/+8	2	232	428	7x1/3	1450 x 770	R290	£3208
PZ3600TN	2020	1000	800	-2/+8	3	294	635	9 x 1/3	1965 x 770	R290	£4133
PZ2610TN	2020	1000	800	-2/+8	2	336	428	9 x 1/3	1965 x 770	R290	£3628

Optional Extras:

PZSHELF	Shelf	£96	PZLEG	LEGS	£96
----------------	-------	-----	--------------	------	-----

**1 year
parts
warranty**

Compact Gastro Range

Pizza Prep Counter



0/+10



Standard features:

GN Containers are not included - please refer to page 133

- Ventilated cooling
- Stainless steel interior and exterior
- Auto defrost and evaporation of the condensed water
- Removable condensing unit
- Easy replaceable magnetic door gasket
- Fully automatic operation
- Self closing doors
- Granite worktop
- Suitable for use in ambient temp. up to 25°C & 65%RH
- Heavy duty castors
- VRX 1400 (with S903PZ)
- Castors fitted as standard

Model	Width (mm)	Height (mm)	Depth (mm)	Temp Range (°C)	Weight (kg)	Volume (lt)	Doors	GN Capacity	Refrigerant	RRP
PS900	900	1075	700	0/+10	91	240	2	5 x 1/6	R600	£1949
S903PZ	1365	1075	700	0/+10	196	402	3	6 x 1/3	R290	£2793



Gastronorm Counter

Under Counter Fridge

**1 year
parts
warranty**



-2/+8



Standard features:

- Ventilated cooling
- Easily replaceable magnetic door gasket
- Self closing doors with recessed door handles
- Hygienic internal corners
- End mounted easily removable condensing unit
- Adjustable thermostat with digital display unit
- Comes with 1 x 1/1GN shelves per door fitted to anti tilt tubes
- Castors fitted as standard
- Stainless steel interior and exterior fully automatic operation
- Automatic defrost and evaporation of the condensed water
- 55mm insulation all round
- CFC Free
- 13AMP supply
- Suitable for use in ambient temp. up to 25°C & 65% RH

Model	Width (mm)	Height (mm)	Depth (mm)	Temp Range (°c)	Weight (kg)	Volume (lt)	Doors	Refrigerant	RRP
GN1100TN	925	850	700	-2/+8	79	124	1	R290	£1802
GN2100TN	1360	850	700	-2/+8	93	282	2	R290	£2180
GN3100TN	1795	850	700	-2/+8	114	417	3	R290	£2857
GN4100TN	2230	850	700	-2/+8	138	553	4	R290	£3140

Optional Extras:

GNDR2	2 x 1/2 Draws (per set)	£399	GNDR3	3 x 1/3 Draws (per set)	£499
--------------	-------------------------	------	--------------	-------------------------	------

**1 years
parts
warranty**

Gastronorm Counter

Under Counter Freezer



-18/-22



Standard features:

- Ventilated cooling
- Easily replaceable magnetic door gasket
- Self closing doors with recessed door handles
- Internal corners covered for hygiene
- End mounted easily removable condensing unit
- Adjustable thermostat with digital display unit
- Comes with 1 x 1/1 GN shelves per door fitted to anti tilt tubes
- Castors fitted as standard
- Stainless steel interior and exterior
- Fully automatic operation
- Automatic defrost and evaporation of the condensed water
- 55mm insulation all round
- CFC Free
- 13AMP supply

Model	Width (mm)	Height (mm)	Depth (mm)	Temp Range (°c)	Weight (kg)	Volume (lt)	Doors	Refrigerant	RRP
GN2100BT	1360	850	700	-18/-22	97	282	2	R290	£2447
GN3100BT	1795	850	700	-18/-22	116	417	3	R290	£3030
GN4100BT	2230	850	700	-18/-22	155	553	4	R290	£3256

Optional Extras:

GNDR2	2 x 1/2 Draws (per set)	£399	GNDR3	3 x 1/3 Draws (per set)	£499
--------------	-------------------------	------	--------------	-------------------------	------



Gastro Range

Curved Glass Saladette

**1 year
parts
warranty**



+2/+8



Standard features:

GN Containers are not included - please refer to page 133

- Ventilated cooling
- Compressor situated underneath the storage compartment for maximum storage
- Stainless steel interior and exterior
- Easily replaceable magnetic door gaskets
- Adjustable thermostat with digital display
- Comes with 1/1GN shelves per door
- Castors fitted as standard
- Auto defrost
- Tempered safety glass
- 13AMP supply
- Suitable for use in ambient temp. up to 25°C & 65%RH
- 130mm deep polypropylene cutting board

Model	Width (mm)	Height (mm)	Depth (mm)	Temp Range (°c)	Weight (kg)	Volume (lt/cu.ft)	GN Capacity	Doors	Refrigerant	RRP
S900CG	900	850	700	+2/+8	98	257/8.5	2 x 1/1 + 3 x 1/6	2	R290	£2013
S903CG	1365	850	700	+2/+8	137	400/13	4 x 1/1	3	R290	£2405

**1 year
parts
warranty**

Compact Gastro Range

Stainless Steel Top Saladette



+2/+8



Standard features:

- Ventilated cooling
- Compressor situated underneath the storage compartment for maximum storage
- Stainless steel interior and exterior
- Easily replaceable magnetic door gaskets
- Adjustable thermostat with digital display
- Comes with 1/1GN shelves per door
- Castors fitted as standard
- Auto defrost
- GN line with lock for easy cleaning
- 13AMP supply
- Suitable for use in ambient temp. up to 25°C & 65%RH

Model	Width (mm)	Height (mm)	Depth (mm)	Temp Range (°c)	Weight (kg)	Volume (lt/cu.ft)	Doors	Refrigerant	RRP
S903SST	1365	850	700	+2/+8	92	400/13	3	R290	£2100



Gastro Range

2/1 Solid Door Upright
Fridge/Freezer

**1 year
parts
warranty**



TN +2/+8



BT -18/-22



Standard features:

- Fan assisted cooling
- Easily replaceable magnetic door gasket
- Adjustable thermostat with digital display unit
- Comes with 3GN size shelves
- Self closing lockable doors
- Built in stainless steel door handle
- Castors as standard
- Removable condensing unit
- High grade AISI304 stainless steel body
- Automatic evaporation of the condensed water
- Fully automatic defrost
- 55mm insulation thickness all around
- 13AMP supply
- Ozone friendly
- Internal LED Light
- Suitable for use in ambient temp. up to 25°C & 65% RH

Model	Width (mm)	Height (mm)	Depth (mm)	Temp Range (°C)	Weight (kg)	Volume (Lt/cu.ft)	Doors	Refrigerant	RRP
GN650TN	740	2010	830	+2/+8	134	650/23	1	R290	£2413
GN650BT	740	2010	830	-18-22	132	650/23	1	R290	£2638

**1 year
parts
warranty**

Gastro Range

2/1 Solid Door Upright
Fridge/Freezer



TN -2/+8



BT -18/-22

Standard features:

- Fan assisted cooling
- Easily replaceable magnetic door gasket
- Adjustable thermostat with digital display unit
- Comes with 3GN size shelves per door
- Self closing lockable doors
- Built in stainless steel door handle
- Castors as standard
- Removable condensing unit
- High grade AISI304 stainless steel body
- Automatic evaporation of the condensed water
- Fully automatic defrost
- 55mm insulation thickness all around
- 13AMP supply
- Ozone friendly
- Internal LED Light
- Suitable for use in ambient temp. up to 25°C & 65% RH

Model	Width (mm)	Height (mm)	Depth (mm)	Temp Range (°C)	Weight (kg)	Volume (Lt/cu.ft)	Doors	Refrigerant	RRP
GN1410TN	1480	2010	830	-2/+8	188	1300/48	2	R290	£4137
GN1410BT	1480	2010	830	-18/-22	199	1300/48	2	R290	£4477



Stainless Steel fish

**1 year
parts
warranty**



0/+10



Standard features:

- Complete structure in stainless steel
- 13 AMP Supply
- Lock fitted as standard
- Reversible self closing door
- 7 Drawers
- Fan assisted cooling
- Internal LED light
- Digital Dixell thermostat
- Castors fitted as standard
- Suitable for use in ambient temp. up to 25°C & 65% RH

Model	Width (mm)	Height (mm)	Depth (mm)	Temp. Range (°C)	Weight (kg)	NET Capacity	Energy Consumption	Defrost	Refrigerant	RRP
GN600FISH	680	2010	810	0/+10	117	600	3.2 (kWh/24h)	Auto	R290	£2673

**1 year
back to base
warranty**

Mincers



TC12



TC22



TC32

Standard features:

- Electric meat mincer is designed exclusively for grinding and mincing meat
- Stainless steel machine body

Model	Width (mm)	Height (mm)	Depth (mm)	Power (w)	Plates (mm)	Voltage	Production Capacity	Net Weight (kg)	RRP
TC12	460	220	390	550	6 & 8	230	120Kg/h	31.5	£833
TC22	540	245	480	900	6 & 8	220	200Kg/h	39	£1071
TC32	280	445	700	1500	6 & 8	230	320kg/h	66	£1655

Accessories:

Knife for TC12	£25	Plate for TC12	£30
Knife for TC22	£30	Plate for TC22	£35
Knife for TC32	£35	Plate for TC32	£40

MASTER

Mixers

with fixed bowl

1 year back to base warranty

ITALIAN
MADE!



Standard features:

- Stainless steel fixed bowl
- Castors fitted as standard
- 30min Timer
- Dual robust chain driven
- Safety guard with safety switch
- Emergency cut off button
- Single phase supply
- Single speed
- UK 3 pin plug
- SMC40V electric instalation must be equipped with a super immurzized differntial switch in class A

Model	Width (mm)	Height (mm)	Depth (mm)	Capacity (L)	Net Weight (kg)	Gross Weight (kg)	Bowl Dimensions (mm)	Spiral Speed (rpm)	Bowl Speed (rpm)	Power (kw)	RRP
SMC10	270	540	560	10	48	62.5	260 x 200	75	10	0.37	£1224
SMC20	400	690	630	22	82	105	360 x 210	93	9	0.9	£1483
SMC30	440	830	720	33	110	133	400 x 260	93	9	1.3	£1763
SMC40	470	850	720	42	113	137	450 x 260	93	9	1.3	£1896
SMC50	530	860	720	53	116	141	500 x 270	93	9	1.3	£1993
SMC50R	530	860	720	53	116	141	500 x 270	93	9	1.3	£2150
SMC40V	470	850	720	42	113	137	450X260	-	-	1.5	£2150

**1 year
parts
warranty**

Spiral Dough Mixers

Powerful Italian Made Mixers

**Super
lizza**

**ITALIAN
MADE!**



Standard features:

- Stainless steel top plate
- Stainless steel bowl
- Castors as standard
- Timer
- Chain driven
- Safety guard
- Emergency cut off button
- Stainless steel hook and dough cutter
- Fixed head with non removable bowl
- Stainless steel wire bowl safety guard, featuring auto shutoff when guard is lifted
- Two speed and 3 phase models are available
- P.O.A
- UK 3 pin plug
- 1 year back to base warranty option available
- Made in Italy

Model	Width (mm)	Height (mm)	Depth (mm)	Kneading Capacity (kg)	Flour Capacity (kg)	Bowl Volume (ltr)	Weight (kg)	Drive	Power	Voltage	RRP
SM20CE	697	690	390	18	12	20	65	Chain Driven	1HP	230/50Hz	£2563
SM30CE	762	770	430	25	17	33	95	Chain Driven	1.5HP	230/50Hz	£2801
SM40CE	818	770	480	38	25	40	105	Chain Driven	2HP	230/50HZ	£2974
SM50CE	842	770	530	44	30	50	110	Chain Driven	2HP	230/50Hz	£3147
SM50R	878	770	530	44	30	50	140	Chain Driven	2HP	230/50Hz	£3667



ITALIAN
MADE!



Standard features:

- Adjustable thickness and diameter settings
- Optional foot pedal
- Separated roller protectors for easier and safer work
- Body entirely made of steel
- Touch control panel
- Made in Italy
- To roll out cold dough
- 1 year back to base warranty option available

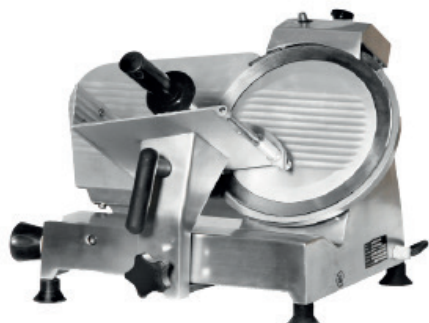
Model	Width (mm)	Height (mm)	Depth (mm)	Weight (kg)	Motor Power (hp)	Absorbed Power (w)	Weight (kg)	Voltage (V)	Pizza Diameter (cm)	Roller Length (Inch/mm)	RRP
DR12	420	650	450	35	0.5	375	32	230/50Hz	14/30	12"-320mm	£1615
DR12M	420	350	450	27	0.5	375	27	230/50Hz	14/30	12"-320mm	£1455
DR16	520	712	450	45	0.5	375	45	230/50Hz	14/40	16"-420mm	£1825
DR16S	520	750	450	45	0.5	375	47	230/50Hz	14/40	16"-420mm	£1881

Optional Extras:

DLFP	Foot pedal	£132			
------	------------	------	--	--	--

**1 year
back to base
warranty**

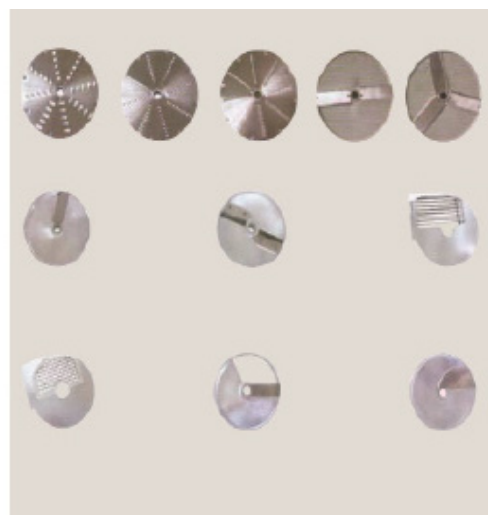
Meat Slicers/ Veg Shredder



Standard features:

- Stainless steel construction
- Safety Guard
- Thickness adjustment mechanism
- 250 and 300mm S/S Blade

Model	Width (mm)	Height (mm)	Depth (mm)	Power (w)	Weight (kg)	Slicing Thickness (mm)	Blade Diameter (mm)	RRP
SS250C	400	460	380	120	16	0-8	230	£881
SS300C	490	590	440	180	27	0-12	300	£1058



Standard features:

- 300kg/hr Max through put
- Cylindrical & large half moon hoppers
- Aluminium Body
- Safety cut off switch
- Easy to change blades
- Easy to clean & maintain
- Discs sold seperately

Model	Width (mm)	Height (mm)	Depth (mm)	Power (w)	Weight (kg)	Voltage	RRP
VS300	560	560	290	550	23	230	£1107



+50/+450°C



Standard features:

- Ergonomic design for easy cleaning
- 20mm thick baking stones are made of special refractory material for good results
- Baking chamber is of special aluminium coated plate
- Stainless steel front door and panel
- Heat resistant inspection glass in the door
- Stainless steel heating elements
- Comes in single phase hard wire as standard
- Door hinges with spring mechanism
- Maximum temperature regulating safety thermostat
- Internal light
- 3 phase option available (POA)
- ETG models with temperature gauge

Model	Ext Dimensions (H x W x D)mm	Int Dimensions (H x W x D)mm	Weight Range Gross	Temp.	Power (kw)	Voltage (v)	Pizza Capacity	Deck	RRP
PO5050E	360 x 800 x 600 (*800)	100 x 500 x 500	60	50/450	4kw	220/240V	4 x 9"	Single	£1309
PO5050ETG	360 x 800 x 640 (*800)	100 x 500 x 500	60	50/450	4kw	220/240V	4 x 9"	Single	£1351
PO5050DE	500 x 800 x 640 (*800)	(2x100) x 500 x 500	83	50/450	8kw	220/240V	2 x (4 x 9")	Double	£1821
PO5050DETG	500 x 800 x 640 (*800)	(2 x 100) x 500 x 500	83	50/450	8kw	220/240V	2 x (4 x 9")	Double	£1962
ST5050	1100 x 800 x 640 (Stand for single deck ovens)	N/A	30	N/A	N/A	N/A	N/A	Single	£587
ST5050DE	850 x 800 x 640 (Stand for double deck ovens)	N/A	35	N/A	N/A	N/A	N/A	Double	£570

**1 year
parts
warranty**

Electric Pizza Ovens

**Super
lizza**



Standard features:

- Ergonomic design for easy cleaning
- 20mm thick baking stones are made of special refractory material for good results
- Baking chamber is of special aluminium coated plate
- ETG models with temperature gauge
- Stainless steel front door and panel
- Heat resistant inspection glass in the door
- Stainless steel heating elements
- 3 phase option available (POA)
- Door hinges with spring mechanism
- Maximum temperature regulating safety thermostat
- Internal light
- Comes in single phase hard wire as standard

Model	Ext Dimensions (H x W x D)mm	Int Dimensions (H x W x D)mm	Weight Gross	Temp.	Power (kw)	Voltage (v)	Pizza Capacity	Deck	RRP
PO6868E	420 x 980 x 780 (*940)	140 x 680 x 680	95	50/450	5kw	220/240V	4 x 13"	Single	£1591
PO6868ETG	420 x 980 x 780 (*940)	140 x 680 x 680	95	50/450	5kw	220/240V	4 x 13"	Single	£1613
PO6868DE	760 x 980 x 780 (*940)	(2 x 140) x 680 x 680	165	50/450	10kw	220/240V	2 x (4 x 13")	Double	£2292
PO6868DETG	760 x 980 x 780 (*940)	(2 x 140) x 680 x 680	165	50/450	10kw	220/240V	2 x (4 x 13")	Double	£2372
ST6868	1100 x 980 x 785 (Stand for single deck ovens)	N/A	35	N/A	N/A	N/A	N/A	Single	£605
ST6868DE	850 x 980 x 785 (Stand for double deck ovens)	N/A	40	N/A	N/A	N/A	N/A	Double	£589
PO10268E	420 x 1310 x 780 (*940)	140 x 1020 x 680	120	50/450	6kw	220/240V	6 x 13"	Single	£1914
PO10268ETG	420 x 1310 x 780 (*940)	140 x 1020 x 680	120	50/450	6kw	220/240V	6 x 13"	Single	£2062
PO10268DE	760 x 1310 x 780 (*940)	(2 x 140) x 1020 x 680	200	50/450	12kw	220/240V	2 x (6 x 13")	Double	£2882
PO10268DETG	760 x 1310 x 780 (*940)	(2 x 140) x 1020 x 680	200	50/450	12kw	220/240V	2 x (6 x 13")	Double	£2963
ST10268	1100 x 1310 x 785 (Stand for Single deck ovens)	N/A	45	N/A	N/A	N/A	N/A	Single	£667
ST10268DE	850 x 1310 x 785 (Stand for double deck ovens)	N/A	50	N/A	N/A	N/A	N/A	Double	£651



We are an official Manitowoc Distributor.
We also supply Merrychef, Garland and Frymaster

Leasing options available.

Standard features:

- Radiant set up with glass window on all models
- Mounted on a mobile stand
- Natural gas
- Electric versions 3 phase only
- Digital control panel with variable speed
- Parts and labour warranty
- CE approved

Model Ref	Description	Dimensions (H x W x D)mm	Weight Range (°c)Net	Power	Type	RRP
1154-000E	18" Wide belt, 28" cooking chamber, gas oven	1067 x 1422 x 991	220	12kw	Natural/ propane gas	POA
1164-000E	18" Wide belt, 28" cooking chamber, gas oven	1543 x 1206 x 1155	221	10kw (3 phase)	Electric 3 phase	POA
1421-000E	32" Wide belt, 40" cooking chamber, electric oven	1981 x 1473 x 1321	341	27kw	Electric 3 phase	POA
3240-000N	32" Wide Belt, 40" cooking chamber, gas oven	1346 x 1924 x 1534	635	35kw	Natural/Propane gas	POA

Installation of gas equipment must be within 1 metre of Gas & Electricity supplies. All installations must be undertaken by a qualified corgi registered engineer regulation complaint, extraction and the gas interlock system must be present and working Commissioning cannot be done unless all of the above stipulations are met. Further information is available on request.

**1 years
parts
warranty**

Texas
Gas Water Grill

**Super
lizza**



Standard features:

- Stainless steel exterior and burners
- Piezo electric ignition
- Variable control
- Chrome tray, stainless steel water tray
- CE approved
- 1/2 inch flexi hose required
- Natural gas or LPG injectors
- Saves on your gas bills
- Lava rock is not needed
- Chrome griddles are available P.O.A
- Ready for use in 10 minutes
- Water drawer for easy cleaning

Model	Width (mm)	Depth (mm)	Height (mm)	Cooking Area	Energy Consumption	Weight (kg)	Power	RRP
BBQ41	410	630	430	330 x 470	0.97	26	9kw	£2002
BBQ77	770	630	430	2 x (330 x 470)	1.9	49	18kw	£2738
BBQ113	1130	630	430	3 x (330 x 470)	3.55	63	27kw	£3643

Optional Extras:

CGIP	Cast iron flat cooking grid (per griddle)	£275	CGCP	Chrome flat griddle plate (per griddle)	£900
CGSP	Stainless steel flat griddle plates	£265	CGHB	8mm Horizontal bar plate (CT2080) per plate	£385

MASTER

Gas Fryer

**1 years
parts
warranty**



NEW



Standard features:

- Vertical burners and baffle design to improve efficiency
- Stainless steel exterior
- 16Ltr: 90,000 BTU power output
- 20Ltr: 120,000 BTU power output
- 30Ltr: 150,000 BTU power output
- Thermostatic temperature control 60°C - 240°C
- Standard: Natural gas - LPG Option available
- Adjustable legs
- 2x heavy duty fryer baskets
- Reliable gas control valves
- Fast heat up and recovery
- Includes crumb rack, tank lids and drain pipe extension
- Temperature limit and gas supply cut-off
- 240°C temperature limit

Model	Width (mm)	Depth (mm)	Height (mm)	Power BTU	Ltr	Basket	Burners	RRP
MA35	394	890+250	760	90,000	16	Single	3	£1369
MA45	394	890+250	760	120,000	20	Single	4	£1500
MA55	394	890+250	760	120,000	30	Single	5	£1655
MA55D	533	890+250	866	150,000	40	Twin	4	£2214

Optional Extras:

MAS-01	Brush for all gas fryers	£35	MAS-03	Rod for all gas fryers	£30
MAS-02	Scoop for all gas fryers	£35	MAS-04	Tank lever lid for 3 & 4 burner gas fryers	£45



Model	Height (mm)	Width (mm)	Depth (mm)	Power (kw)	Weight (kg)	Capacity (kg)	RRP
Pitco35-C	1201	384	769	26.5	73	17.7 - 19.5	POA

Model	2650	2750	2850	2950	2665	2675	2685	2695
Length (mm)	1000	1250	1500	1800	1000	1250	1500	1800
Diameter (inch)	1/2	1/2	1/2	1/2	3/4	3/4	3/4	3/4
RRP	£62	£80	£90	£130	£98	£122	£154	£180



**1 years
parts
warranty**

American Style Chargrill

MASTER



Standard features: CG - American style charboiler with safety valve

- Stainless steel exterior
- Double wall sides with stainless steel cabinet
- 35,000 BTU burners per 12" section with
- standby pilots
- Independent manual controls every 12"
- Standard Natural gas
- Adjustable legs with non skid feet
- Easy to remove full width crumb tray



Standard features: CGP - American style griddle plate with safety valve

- Stainless steel exterior
- Standard Natural gas
- 30,000 BTU burners per 12" section with
- standby pilots
- Heavy duty 1" to 3/4" thick polished steel griddle plate
- Adjustable legs
- Full length seamless drip pan, easy to remove

Standard features: ARC - American style cookers with safety valve

- Stainless steel exterior
- Heavy duty cast grates
- Pull out oil tray
- Oven horseshoe burner
- Six oven top burners
- 130 to 300°C thermostat
- Heavy duty adjustable legs
- Two oven racks
- Standby S/S Pilot
- Safety Valves



Model	Width (mm)	Height (mm)	Depth (mm)	Burners	Power (BTU)	RRP
CG61	610	700	385	2	60,000	£480
CG91	910	700	385	3	90,000	£590
CG121	1210	700	385	4	120,000	£740
CGP61	310	700	330	2	60,000	£415
CGP91	610	700	330	3	90,000	£670
ARC24	610	730	400	4	50,000	£870
ARC36	910	730	400	6	100,000	£1,070



Gas/Electric Hard Chrome Griddles

**1 year
parts
warranty**



Standard features:

- 20mm thick hard chrome plate
- Piezo electric operation
- Equal heat distribution throughout
- Thermostat values
- Front fat collection drawer
- Heavy duty

Model	Width (mm)	Height (mm)	Depth (mm)	Used surface (dm ²)	Weight (kg)	Energy consumption (Kcal/h)	Energy consumption (kw)	RRP
FCE60	600	220	550	30	75	9.084	10.5	£3455
FCE90	900	220	550	45	99	12.556	14.6	£4566
FCE120	1200	220	550	60	122	18.168	21	£5249
FC60 GAS	600	220	550	30	75	9.084	10.5	£3248
FC90 GAS	900	220	550	45	99	12.556	14.6	£4057
FC120 GAS	1200	220	550	60	122	18.168	21	£4758

Model	Width (mm)	Height (mm)	Depth (mm)	RRP
FC60STAND	600	220	550	£814
FC90STAND	900	220	550	£874
FC120STAND	1200	220	550	£962

**1 year
parts
warranty**

Glasswashers



**MADE
IN
ITALY**



DET - Denotes detergent dispenser **PS** - Denotes drain pump

Standard features:

- Safety cycle - stop feature on door opening
- Great door depth, balanced, with stainless steel built in handle
- Top and bottom wash and rinse system
- One piece moulded wash arm
- Both wash and rinse arms separated and in stainless steel
- Dismountable internal door for inspection and cleaning
- Built in 'rinse now' feature
- Reinforced hinges (no tie rods on door)
- Complete doubled skinned structure
- Built in rinse aid and dispenser
- Must be fitted by a qualified engineer
- Recommended to have a water softener installed

Supplied with:

- 2 x Flat squared basket
- 1 x Cutlery basket
- 1 x Drain hose (already fitted)
- 1 x Plate rack insert
- 1 x Inlet hose

Model	Width (mm)	Height (mm)	Depth (mm)	Weight (kg)	Basket (cm)	Detergent Dispenser	Cycle Times (minutes)	Pump	Power Output (kw)	Power required (AMP)	RRP
TS820DETPS	443	640	515	40	37 x 37	Yes		Yes	2.7	13amp	£1990
TS830DETPS	475	660	545	50	40 x 40	Yes	1.5, 2, 3	Yes	2.7	13amp	£2108



TS601DETPS

DET - Denotes detergent dispenser **PS** - Denotes drain pump

- Safety cycle - stop feature on door opening
- Great door depth, balanced with stainless steel built in handle
- Top and bottom wash and rinse system
- One piece moulded wash arm
- Both wash and rinse arms separated and in stainless steel
- Dismountable internal door for inspection and cleaning
- Built in 'rinse now' feature
- Reinforced hinges (no tie rods on door)
- Complete double skinned structure
- Built in rinse aid and dispenser
- TS983DET come in 3 phase only
- Must be fitted by a qualified engineer
- Recommended to have a water softener installed

Supplied with:

- **TS601DETPS**
 - 1 x Flat square basket
 - 1 x Square plate basket
 - 1 x Inlet hose
- 1 x Drain hose
- **TS103DETPS**
 - 1 X Flat square basket
 - 2 x Square plate basket
- 2 x Cutlery basket
- 1 x Inlet hose
- 1 x Drain hose (already fitted)

Model	Width (mm)	Height (mm)	Depth (mm)	Weight (kg)	Basket (cm)	Detergent Dispenser	Cycle Times (minutes)	Pump	Power Output (kw)	Power required (AMP)	RRP
TS601DETPS	600	830	600	70	50 x 50	Yes	5, 3, 2	Yes	3.3	13amp	£2605
TS103DETPS	690	1650	910	132	50 x 50	Yes	-	Yes	6.8	3 Phase	£4350

**1 year
parts and
labour warranty**

Blue Seal

6 Burner Ovens / Gas
Chargrills



G596-LS



G592-B

Chargrill - Standard features:

- Heavy duty 304 grade s/s finish
- Reversible heavy-duty top grates
- Inclined position to reduce flare and enhance grease run
- Flame failure with continuous pilot burner
- Heavy duty reinforced control knobs
- Mounted on leg stand with suite matching shelf (models)
- Adjustable feet at front and rear rollers

Model	Height (mm)	Height Incl. splash back (mm)	Width (mm)	Depth (mm)	Power (kw)	RRP
G592-B	315	480	300	812	9.8	POA
G594-LS	915	1080	600	812	18.6	POA
G596-LS	915	1080	900	812	29.3	POA

4/6 Burner Gas Oven - Standard Features:

- Heavy duty 304 grade s/s finish
- 7kw rated open burners
- Flame failure protection on all burners
- Heavy duty cast iron burners and vitreous enamel pot
- stand
- Heavy duty reinforced control knobs
- Drop down door with welded frame
- Fully welded and vitreous enamelled oven liner
- Cool touch s/s door handle
- Adjustable front feet with rear rollers
- Fast clean, installation and service
- G506D- static gas oven,
- G56D - Convection gas oven



G506D

Model	Height (mm)	Height Incl. splash back (mm)	Width (mm)	Depth (mm)	Power (kw)	RRP
G506D	915	1080	900	812	51	POA
G56D	915	1080	900	812	51	POA
G504D	915	1080	600	812	34.6	POA



E43



E44

Standard features:

- Heavy duty 304 graded s/s finish
- Patented infrared burner system
- Easy clean stainless steel open pan with 10-year limited warranty
- 32mm drain valve
- Over temperature safety cut out
- Fully modular

Model	Height (mm)	Height Incl. splash back (mm)	Width (mm)	Depth (mm)	RRP
E43	915	1080	450	812	POA
E44	915	1080	450	812	POA

Standard features:

- Heavy duty 304 graded s/s finish
- Patented infrared burner system
- Easy clean stainless steel
- Fully modular
- open pan with 10-year limited warranty
- 32mm drain valve
- Over temperature safety cut out



GT46



GT60

Model	Height (mm)	Height Incl. splash back (mm)	Width (mm)	Depth (mm)	Power (kw)	RRP
GT45	915	1085	450	812	25	POA
GT46	915	1085	450	812	25	POA
GT60	915	1085	600	812	25	POA



Standard features:

- 400mm Single pan gas fryer
- 18 Litre oil capacity
- 25kw multi jet target burner
- 30mm Drain valve
- Mechanical thermostat
- Manual Pilot Ignition
- S/S open pan (no tubes)
- Adjustable feet
- Basket & S/S lid supplied

Model	Height (mm)	Height Incl. splash back (mm)	Width (mm)	Depth (mm)	Power (kw)	RRP
FF18	915	1085	400	735	25	POA

**1 years
parts and labour
warranty**

Blue Seal Oven/Salamander Grills



6 Burner Electric oven - Standard features:

- Heavy duty 304 graded s/s finish
- Heavy duty 2.4kw radiant elements
- Six temperature settings with simmer setting
- Heavy duty reinforced control knobs
- 12mm Griddle plate
- Drop down door with welded frame
- Fully welded and vitreous enamelled oven liner
- Cool touch stainless steel door handle
- Adjustable front feet and rear rollers
- Easy clean, installation and service



Model	Height (mm)	Height Incl. splash back (mm)	Width (mm)	Depth (mm)	Power (kw)	RRP
GR506D	915	1080	900	812	42	POA
GE56D	915	1080	900	812	42	POA
GE505D	915	1080	750	812	28	POA

Salamander - Standard features:

- Heavy duty 304 graded s/s finish
- Left and right hand heat control
- Wall mounting bracket
- Easy clean, installation and service
- Bottom collection tray
- E91B - Electric Salamander
- G91B - Gas Salamander
- CS9 - Gas Salamander



Model	Height (mm)	Height Incl. wall mounting bracket (mm)	Width (mm)	Depth (mm)	RRP
E91B	400	420	900	390	POA
G91B	400	420	900	390	POA
CS9	418	450	900	389	POA

Gas Cooktops - Standard features:

- Stainless steel finish
- 5.5kw Open burners
- Cast iron burners and vitreous enamel pot stands
- 2 or 4 open burner configuration (600 wide only)
- 4 or 6 open burner configuration (900 wide only)
- Open cabinet base for extra storage
- Adjustable front feet and rear rollers
- Fully modular
- Flame failure protection on open burners



Model	Height (mm)	Height Incl. Splash back (mm)	Width (mm)	Depth (mm)	Power (kw)	RRP
C6D	915	1085	600	800	16	POA
C9D	915	1085	900	800	27	POA



Gas static oven - Standard features:

- Stainless steel finish
- 5.5kw burners
- Cast iron burners and vitreous enamel pot stands
- Manual pilot ignition
- High crown static oven
- Welded vitreous enameled oven liner
- Adjustable front feet and rear rollers
- Flame failure protection on open burners
- Side hinged door (4 burner only)
- French door system (900mm only)

Model	Height (mm)	Height Incl. Splash back (mm)	Width (mm)	Depth (mm)	Power (kw)	RRP
CR6D	915	1085	600	800	29	POA
CR9D	915	1085	900	800	40.5	POA



Standard features:

- Made of stainless steel
- Very rapid heat up time in 20"
- Tungsten filament heating element, secured under a glass ceramic sheet
- Movable upper plate, sliding closer or further to the cooking food
- GN 1/1 cooking surface
- Plate detecting bar which switches on the rapeheat/rise & fall grill as soon as the plate is placed on the appliance (OSET60/216031 model only)
- Energy saving: no need to preheat appliance which can remain switched off when not in use
- Possibility to heat up only half of the surface
- Removeable stainless steel drip trays and chromium - plated steel grids, provided with a safety stop to avoid accidental fall
- Control panel with digital display of the set cooking time
- Possibility to hang the appliace on the wall by means of special brackets (optional: extra cost)
- Soft touch start and stop push button
- Precision timer (up to 99 minutes). The set time is stored to simplify the repetition of simiilar cooking cycles

Model	Height (mm)	Width (mm)	Depth (mm)	Cooking Surface (mm)	Weight (kg)	Power (kw)	RRP
QSET60/21603L	500	600	450	600 x 350	49	4	POA
QSET60/216003	500	600	450	600 x 350	49	4	POA



Rapid Heat Rise & Fall Grill - Standard features:

- 750mm depth
- Medium duty
- Stainless steel finish
- Easy view controls
- Semi sealed hob
- Hygienic 1 piece hob front
- 5.8kw Open burners
- Lift off brass burners with enamelled caps
- Lift off stainless steel spill tray
- Vitreous enamelled cast iron double potstands
- GN 2/1 gas static oven
- 7.9kw oven burner
- 130-270°C Thermostatic control
- Piezo ignition to oven burner
- Side hinged doors
- Vitreous enamelled oven base tray
- 5 Shelf position racking
- Removable chrome wire rack supports
- Supplied with 2 chrome wire oven racks
- Stainless steel adjustable legs as standard

Model	Height (mm)	Width (mm)	Depth (mm)	Overall Height (mm)	Oven Dim. Height (mm)	Oven Dim. Width (mm)	Oven Dim. Depth (mm)	Rack size (mm)	Weight (kg)	RRP
G750-6	890	900	750	921	420	770	605	745 x 540	110	POA

**2 years
parts and
labour
warranty**

**Cooking
Equipment**

lincat



DF33

Model	Height (mm)	Width (mm)	Depth (mm)	Power (kw)	Weight (kg)	RRP
DF33	335	300	600	3	17	POA
DF36	335	300	600	6	18	POA
DF66	335	600	600	2 x 3	30	POA



DF66



BS3W

Model	Height (mm)	Width (mm)	Depth (mm)	Power (kw)	Weight (kg)	RRP
BS3W	290	300	600	1	16	POA
BS4W	290	450	600	1	22	POA
BS7W	290	750	600	2	33	POA



BS4W



LDF

Model	Height (mm)	Width (mm)	Depth (mm)	Power (kw)	Weight (kg)	RRP
LSF	315	185	400	2.5	9	POA
LDF	315	270	400	3	12	POA
LDF2	315	540	400	2 x 3	21	POA



LSF



LCS

Model	Height (mm)	Width (mm)	Depth (mm)	Power (kw)	Weight (kg)	RRP
LCS	237	285	400	0.25	11	POA
CS4/G	645	450	600	1	22	POA



CS4/G



LWB6

Model	Height (mm)	Width (mm)	Depth (mm)	Power (kw)	Weight (kg)	RRP
EB3FX	600	250	525	3	15	POA
EB6FX	690	250	525	6	18	POA
LWB2	380	300	300	3	7	POA
LWB6	500	365	365	3	12	POA



EB3FX



CT1

Model	Height (mm)	Width (mm)	Depth (mm)	Power (kw)	Weight (kg)	RRP
CT1	398	410	668	2.4	23	POA
LT4X	240	360	220	2.3	7	POA
LT6X	240	450	220	3.1	9	POA



LT6X



Perforated Pans



Seperator Disks



Pizza Screens



Pizza Pans

	Base Diameter	7"	8"	9"	10"	11"	12"	13"	14"	15"	16"
BLACK IRON PIZZA PANS	BPNA.10.	£7.79	£8.96	£10.01	£11.68	£12.49	£13.17	£15.82	£17.06	£17.93	£21.51
	BPNA.15.	£8.34	£9.95	£10.26	£11.81	£13.35	£14.16	£17.06	£18.73	£20.89	£22.32

	Base Diameter	7"	8"	9"	10"	11"	12"	13"	14"	15"	16"
ALUMINIUM DEEP PIZZA PANS	APD.10.	£13.91	£17.00	£18.05	£19.29	£24.11	£25.96	£28.50	£30.84	£33.13	£42.96
	APD.15.	£14.90	£17.00	£17.93	£21.94	£25.78	£28.00	£29.42	£31.52	£36.84	£43.58

	Base Diameter	7"	8"	9"	10"	11"	12"	13"	14"	15"	16"
ALUMINIUM THIN CRUST PIZZA PANS	APT.34.	£9.80	£12.42	£14.04	£17.13	£19.13	£21.73	£25.32	£27.71	£31.34	£32.51

	Base Diameter	PERF.07	PERF.08	PERF.09	PERF.10	PERF.11	PERF.12	PERF.13	PERF.14	PERF.15	PERF.16
PERFORATED PANS	2-5 or 10mm	£9.89	£12.49	£14.77	£15.76	£16.81	£20.89	£21.70	£23.37	£26.77	£31.83

	Base Diameter	8"	9"	10"	11"	12"	13"	14"	15"	16"	17"	18"
SEPERATOR DISKS	SD	£4.33	£5.16	£6.74	£7.45	£8.35	£10.79	£12.27	£14.23	£14.42	£18.19	£27.11

	Base Diameter	6"	7"	8"	9"	10"	11"	12"	13"	14"	15"	16"
BEADED SEPERATOR DISKS	SDB	£10.31	£10.64	£13.47	£13.86	£14.04	£19.00	£19.32	£20.89	£24.05	£32.26	£33.51

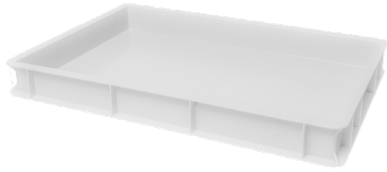
	Base Diameter	7"	8"	9"	10"	11"	12"	13"	14"	15"	16"	18"	20"
PIZZA SCREEN	PS	£4.71	£5.17	£5.52	£6.32	£6.55	£7.01	£7.35	£7.93	£8.27	£8.96	£10.11	£11.84

"Black Iron" is the term given to products made from mild steel, not too its colour. More robust than aluminium especially when baking at very high temperatures. Suitable for deck and conveyor ovens. Seasoning instructions: Black iron pans should be washed in warm soapy water and quickly dry. Wipe a small amount of cooking oil on all surfaces and bake until the oil has burnt onto the pan. Wipe all excess oil from the pan. Black iron may need periodic re-seasoning, and will darken with repeated use. Never soak black iron pans in water.

Aluminium pans do not need to be seasoned as they will not rust, however it is wise to oil pans as this helps to create a non stick finish aswel as darkening the pan. Aluminium is suitable for deck and conveyor ovens.

Dough Trays

MASTER



TRAY 4060W



TRAY 4060R



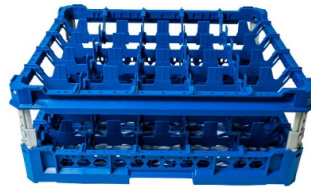
TRAY 4030W



LID4060W



CART6040

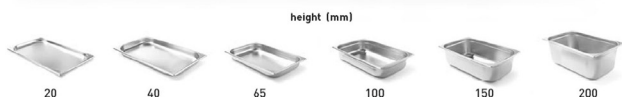
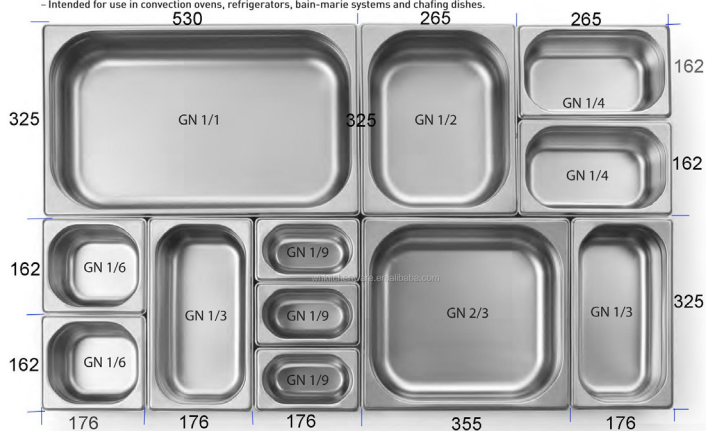


GLASSES RACK

Model	Width (mm)	Height (mm)	Depth (mm)	RRP
TRAY4060W	400	70	600	£16
TRAY4060R	400	70	600	£17
TRAY4030W	400	100	300	£13
LID4060W	400	100	300	£17
CART6040	600		400	£214
GLASSES RACK	500		500	£59

GASTRONORM CONTAINERS

- Very solid design.
- Smooth edges, easy to clean.
- Intended for use in convection ovens, refrigerators, bain-marie systems and chafing dishes.



Model	Dimensions (Ext/Int)	Description	RRP
1701F	Full size 530 x 325mm outside	20mm / 08" - 2.5ltr	£22.00
1701A	Full size 530 x 325mm outside	65mm / 2.5" - 8.5ltr	£25.00
1701B	Full size 530 x 325mm outside	100mm / 4" - 13.5ltr	£34.00
1701C	Full size 530 x 325mm outside	150mm / 6" - 20.5ltr	£46.00
1701D	-	Standard Cover	£26.00
1702A	Half size 325 x 265mm outside	65mm / 2.5" - 4.5ltr	£16.00
1702B	Half size 325 x 265mm outside	100mm / 4" - 4.70ltr	£22.00
1702C	Half size 325 x 265mm outside	150mm / 5" - 10ltr	£31.00
1702D	-	Standard Cover	£15.00
1703A	Third size 325 x 176mm outside	65mm / 2.5" - 2.5ltr	£13.00
1703B	Third size 325 x 176mm outside	100mm / 4" - 4.0ltr	£16.00
1703C	Third size 325 x 176mm outside	150mm / 6" - 6.0ltr	£25.00
1703D	-	Standard Cover	£10.00
1704A	Quarter size 265 x 162mm outside	65mm / 2.5" - 2.0ltr	£10.00
1704B	Quarter size 265 x 162mm outside	100mm / 4" - 3.0ltr	£14.00
1704C	Quarter size 265 x 162mm outside	150mm / 6" - 4.5ltr	£22.00
1704D	-	Standard Cover	£9.00
1705A	Sixth size 176 x 162mm outside	65mm / 2.5" - 1.2ltr	£8.00
1705B	Sixth size 176 x 162mm outside	100mm / 4" - 1.7ltr	£11.00
1705C	Sixth size 176 x 162mm outside	150mm / 6" - 2.5ltr	£17.00
1705D	-	Standard Cover	£6.00
1706A	Ninth size 176 x 108mm outside	65mm / 2.5" - 0.6ltr	£7.00
1706B	Ninth size 176 x 108mm outside	100mm / 4" - 1.0ltr	£11.00
1706D	-	Standard Cover	£5.00
10288B	Bain marie pot	7 pints	£25.00
10288BL	Bain marie lid	Standard Cover-	£12.00
1708A	Gastronorm spacer bars	315mm / 12.5" long	£3.00
1708B	Gastronorm spacer bars	520mm / 20.5" long	£3.00

Super Pizza Delivery Bags

Wipe Clean Delivery Bags



Standard features:

- Polyester
- See through ticket pocket
- Top Straps with handle tie
- Durable Zip
- 1cm Thick fibre insulation
- Double stitched heavy duty
- Base with extra support with ventilation holes

Model	Size w x d x h(cm)	RRP
SPBX2	35 x 20 x 30	£39.00
BPBX2	41 x 39 x 35	£44.00

Super Pizza Delivery Bags

Washable Delivery bags



Standard features:

- Polyester
- See through ticket pocket
- Ventilation holes
- Top straps
- 1cm Thick fibre installation
- Mesh pocket at one side
- Please ask for quantity discount

Model	Size (cm)	RRP
PB03	42 x 47 x 20	£40.00
NPB01S	45 x 45 x 20	£46.00
NPB01B	49 x 50 x 20	£46.00

Note:

Terms and Conditions

The prices in this catalogue were correct at the time of publication, however DWM-UK reserve the right to correct any misprint or advertised prices before an order is placed unless otherwise agreed, payment in full is required before delivery, for special orders non-refundable minimum 50% deposit is required in full before an order can be placed with the factory. Where DWM-UK agrees to 30 days credit terms, the invoice must be settled by the due date; otherwise any remaining balance will incur interest at 8% over the rate set by National Westminster Bank PLC until the balance is fully settled. Subject foregoing, all conditions, warranties and representation expressed or implied by statute, common law or otherwise in relation to the products (apart from terms implied as to the title under the sale and supply of goods act 1994) damage or injury direct resulting from defective products or material, faulty workmanship or otherwise how so ever arising and whether or not caused by negligence of DWM-UK, its employees or agents save that DWM-UK accept liability for death or personal injury caused by negligence of DWM-UK.

Subject to any special terms agreed in writing between the buyer and the seller, the buyer shall pay the price of the goods when placing its order by credit or debit card or electronic bank transfer. In the event that the buyer seeks recovery of the price of the goods from the credit company whom facilitated the buyer's payment for the goods where the buyer is not entitled to a refund under these terms and the seller has to re-pay to the credit card company concerned the price of the goods, then in addition to the rights set out at clause 1.0 below, the seller may re-invoice the buyer for the price of the goods and any administration fees incurred by the seller in such circumstances and any such invoice raised shall be payable in accordance with the clause below. In all other cases the buyer shall pay any other amounts invoiced to it by seller pursuant to these terms within 30 days of the date of the seller's invoice, and the seller shall be entitled to recover the price, notwithstanding that delivery may not have taken place and the property in the goods has not passed to the buyer. The time of payment of the price shall be of the essence of the contract. Receipts for payment will be issued only upon request.

- 1.0 If the buyer fails to make any payment on the due date then, without limiting any other right or remedy available to the seller, the seller may;
 - 1.1 Cancel the contract or suspend any further deliveries to the buyer
 - 1.2 Any payment made by the buyer to such if the goods (or the goods supplied under any other contract between the buyer and seller) as the seller may think fit (not withstanding any purported appropriation by the buyer); and charge the buyer interest (both before and after any judgement) on the amount unpaid, at the rate of 8% over the rate set by National Westminster Bank PLC, until payment in full is made (a part of a month being treated as a full month for the purpose of calculating interest). The buyer shall indemnify the seller against all costs and expenses incurred but the seller (on a full indemnity basis) in recovering or seeking to recover any sums due to the seller which are not paid to the seller in accordance with the provisions of this clause.

Warranty and Conditions

Most of the goods supplied by DWM-UK are under manufacturers one year parts only warranty (unless otherwise stated or agreed and from date shown on invoice). The warranty applies to UK mainland only. The warranty does not apply to glass, light bulbs/tubes, wear and tear, damaged or misused items. In the event of a breakdown within the one-year warranty period, we will supply all necessary parts to you, if any units are redeemed unfit by our engineer and needs replacing, warranty would still remain from original purchase date and will not restart. If the product is carrying back to base warranty, the customer must send the item back to where DWM-UK assigns the address to be. The cost of delivery will be customers responsibility. Any goods purchased with parts only warranty, the fault must be reported to DWM-UK with a qualified engineers report. Any parts covered under parts warranty will be sent to the customer however the cost of carriage is customers responsibility and payable before the dispatch. The faulty parts must be sent back to DWM-UK, otherwise will be chargeable to the customer. The topping up of the refrigerants on the commercial fridges are not covered under parts only warranty.

The warranty becomes invalid if non-approved parts are fitted and if the equipment is used other than for its designed purpose. The warranty is not transferable and lies with the original purchaser and the site address where the goods were delivered to.

Once agreed by the customer on special orders DWM-UK does not accept any responsibility for the difference in shades of colour as ordered, although we do try are upmost to match any colours that have been ordered we cannot guarantee a 100% match.

Deliveries

Our standard delivery is made by one driver and usually takes 2-3 working days for UK mainland and excludes surrounding islands (on certain postal

codes in Scotland delivery charges may apply) and includes off-loading only. It is the customers own responsibility to take the goods indoors, Therefore, it is advisable that customer checks with their dealer, what if any special conditions apply to the product being purchased. Please note it is your responsibility to check that the goods physically fit the site, should you have any queries regarding access etc. Please contact our transport department and we will do our best to assist.

All goods must be checked and signed for by the customer upon delivery as DWM-UK will not take any responsibility for damaged to goods if signed for by the customer as unchecked.

All deliveries are subject to there being a reasonable place for parking and unloading of the vehicle. Should a site survey be required, this can be done by us for a small charge.

For 2-man deliveries please allow 3-4 working days and consists of taking the goods inside, removal of the packaging and positioning of the goods and excludes any glass assembly. To save unnecessary charges it is the dealer's responsibility to carry out site checks prior to delivery to check for any obstructions which could lead to an aborted delivery, for further information on obstructions please call the office on 0113 2707 303.

Restocking charges: There will be a minimum of 25% re-stocking charge for any aborted deliveries that has occurred due to no fault of DWM-UK.

35% restocking charge applies to the parts and items cost less than £400.00 plus the cost of delivery.

There will also be a minimum of 50% charge for the special orders and non-stock items. In addition, goods must be returned to our warehouse in its original packaging undamaged, by the customer.

Next day and special deliveries

Next day and timed deliveries are available at an extra cost, for next day deliveries orders must be placed before 12pm, for charges please call the office on 0113 2707303 or sales@dwm-uk.com.

Delivery prices were correct at the time of publication, however, DWM-UK reserve the right to correct any misprint or advertised prices to co-inside with any fuel charges or increase in transport before an order is placed unless otherwise agreed.

Technical information specifications and appearance

Whilst every effort was made to verify the technical information in this catalogue, we would point out that such information is supplied by each manufacturer direct from the factory. We cannot be held responsible for errors or omissions in this date.

Manufacturers reserve the right to change specifications, model number and appearance of any model without prior notification. We cannot therefore be held responsible for any such changes following the production of this catalogue.

Installation

All cooking and cooling equipment must be installed, fitted and maintained by qualified engineers. A gas safe certified engineer must be employed where a gas appliance is fitted, and the extraction system should be fitted with interlocking system otherwise warranty conditions will not apply.

UK WEEE Regulations

UK WEEE Regulations: SI2006/3289 Waste Electrical and Electronic Equipment Regulations 2006 as modified by any subsequent legislation.

Future WEEE

DWM-UK sells its products either retaining the producer's obligations under the WEEE regulations or with customer taking on those responsibilities. In either case the customer must clearly state which of these options they require, and this must be documented.

The customer must agree to disclose this agreement to any subsequent purchaser(s) of this equipment, as required by regulations.

Historic WEEE

The purchaser agrees to absolve DWM-UK from its obligations under the UK WEEE Regulations which require DWM-UK to be responsible for financing the collection treatment, recovery and environmentally sound disposal of any product supplied before the 31st August 2005, (or outside the scope of WEEE regulations) subject to payment of its current disposal fees.



ICE CREAM DISPLAYS



DOUGH MIXERS

COOKING EQUIPMENT



DWM
Viewpoint House
Nepshaw Lane South
Leeds
LS27 7JQ

T: 01132707303 E: sales@dwm-uk.com www.dwm-uk.com



IGLOO Super
lizza

ARTIK SOLD

lincat

BLUE SEAL

kechi