



SCAN
TO SHOP

Donatello

OVEN

SPARE PARTS DIAGRAM

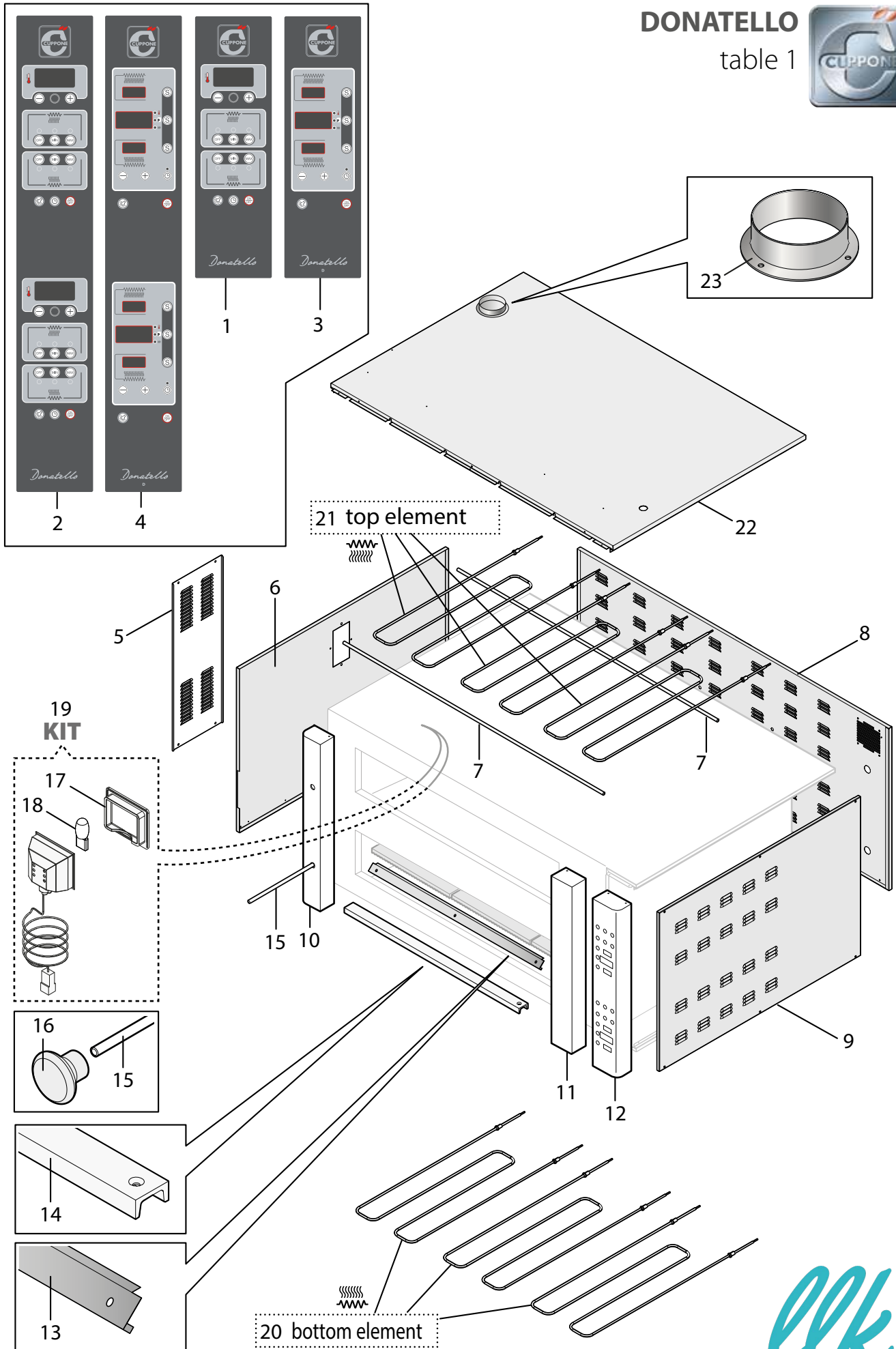


alk.



DONATELLO

table 1

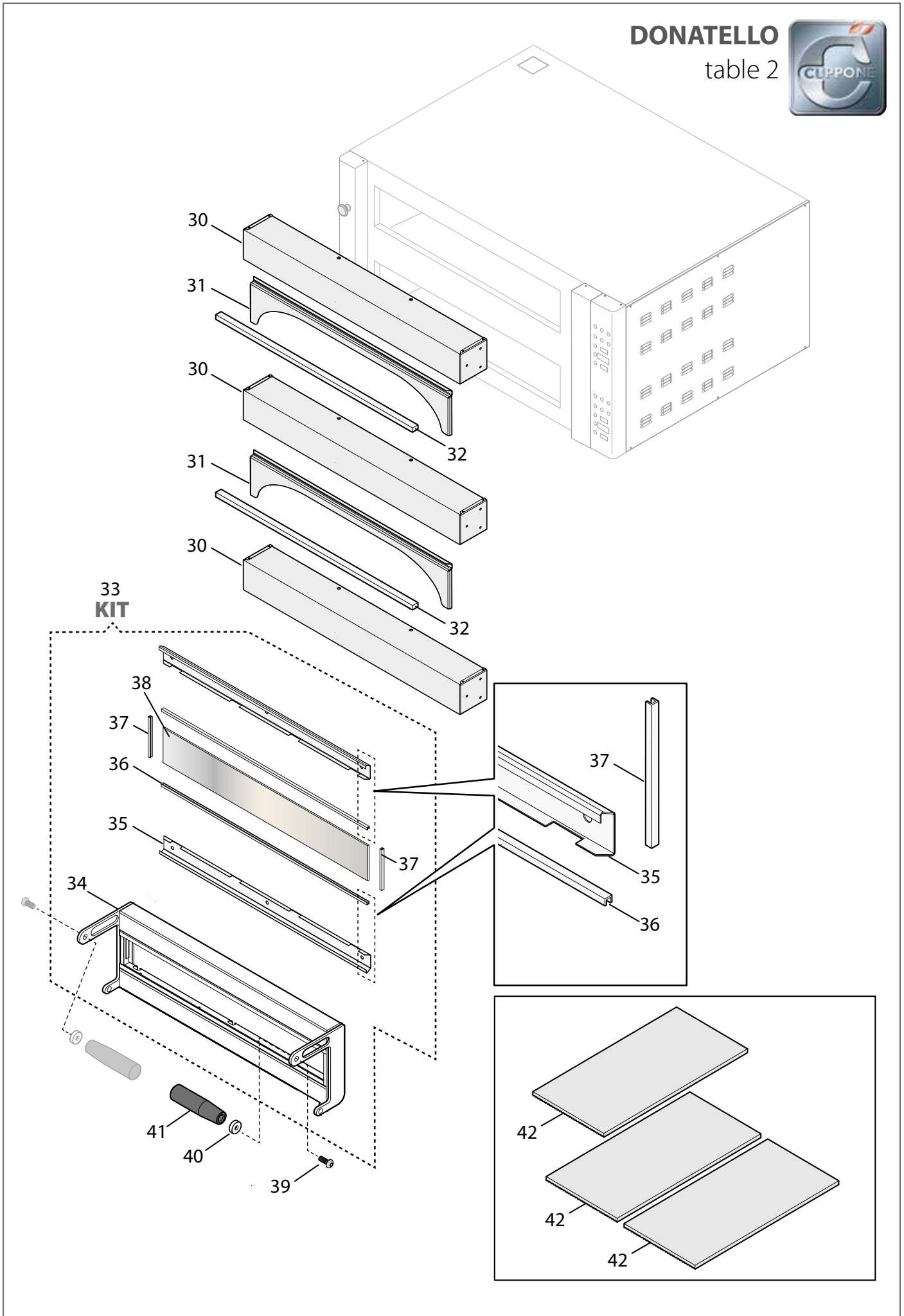


From serial number 19010244 / Ovens produced after 21.12.2018

TABLE 1							
POS.	MOD.	VERSION	CODE	DESCRIPTION			
1	CD	single oven	C01.3100	POLYCARBONATE FRONT			
2	CD	double oven	C01.3101	POLYCARBONATE FRONT			
3	D	single oven	C01.3102	POLYCARBONATE FRONT			
4	D	double oven	C01.3103	POLYCARBONATE FRONT			
5	DN4-6-6L-9	single oven	C01.3104	LIGHT BOX COVER			
	DN4-6-6L-9	double oven	C01.3105	LIGHT BOX COVER			
6	DN 4-6L	single oven	C01.3106	LEFT PANEL			
	DN 6-9	single oven	C01.3107	LEFT PANEL			
	DN 4-6L	double oven	C01.3108	LEFT PANEL			
	DN 6-9	double oven	C01.3109	LEFT PANEL			
7	DN 4-6		C01.3110	TOP ELEMENT SUPPORT			
	DN 6L-9		C01.3111	TOP ELEMENT SUPPORT			
8	DN 4-6	single oven	C01.3112	BACK			
	DN 6L-9	single oven	C01.3113	BACK			
	DN 4-6	double oven	C01.3114	BACK			
	DN 6L-9	double oven	C01.3115	BACK			
9	DN 4-6L	single oven	C01.3116	RIGHT PANEL			
	DN 6-9	single oven	C01.3117	RIGHT PANEL			
	DN 4-6L	double oven	C01.3118	RIGHT PANEL			
	DN 6-9	double oven	C01.3119	RIGHT PANEL			
10	DN4-6-6L-9	single oven	C01.3120	LEFT COLUMN			
	DN4-6-6L-9	double oven	C01.3121	LEFT COLUMN			
11	DN4-6-6L-9	single oven	C01.3122	RIGHT COLUMN			
	DN4-6-6L-9	double oven	C01.3123	RIGHT COLUMN			
12	CD	single oven	C01.3124	INSTRUMENT PANEL			
	CD	double oven	C01.3125	INSTRUMENT PANEL			
	D	single oven	C01.3126	INSTRUMENT PANEL			
	D	double oven	C01.3127	INSTRUMENT PANEL			
13	DN 4-6		C01.3128	STONE HOLDER			
	DN 6L-9		C01.3129	STONE HOLDER			
14	DN 6		C01.3130	U-SHAPED IRON PIECE			
	DN 9		C01.3131	U-SHAPED IRON PIECE			
15	DN 4-6L		C01.3132	CHIMNEY PIN			
	DN 6-9		C01.3133	CHIMNEY PIN			
16	DN4-6-6L-9		C01.3134	CHIMNEY KNOB PL/50 M8			
17	DN4-6-6L-9		C01.2331	BULB HOLDER GLASS 65X80			
18	DN4-6-6L-9		C01.2332	BULB G4 12V 20W 300°C			
19	DN4-6-6L-9		C01.2333	LAMP HOLDER COMPLETE WITH LAMP AND BJB GLASS 65x80 12V G4			
20	DN 4		C01.1830	BOTTOM ELEMENT V230 680W			
	DN 6		C01.1831	BOTTOM ELEMENT V230 1000W			
	DN 6L		C01.1832	BOTTOM ELEMENT V230 1020W			
	DN 9		C01.1833	BOTTOM ELEMENT V230 1500W			
21	DN 4		C01.3289	TOP ELEMENT V230 1250W			
	DN 6		C01.1835	TOP ELEMENT V230 1800W			
	DN 6L		C01.1836	TOP ELEMENT V230 1840W			
	DN 9		C01.1837	TOP ELEMENT V230 2690W			
22	DN 4		C01.3290	COVER			
	DN 6		C01.3291	COVER			
	DN 6L		C01.3292	COVER			
	DN 9		C01.3293	COVER			
23	DN4-6-6L-9		C01.3172	STAINLESS STEEL RING NUT ø80 mm			

DONATELLO

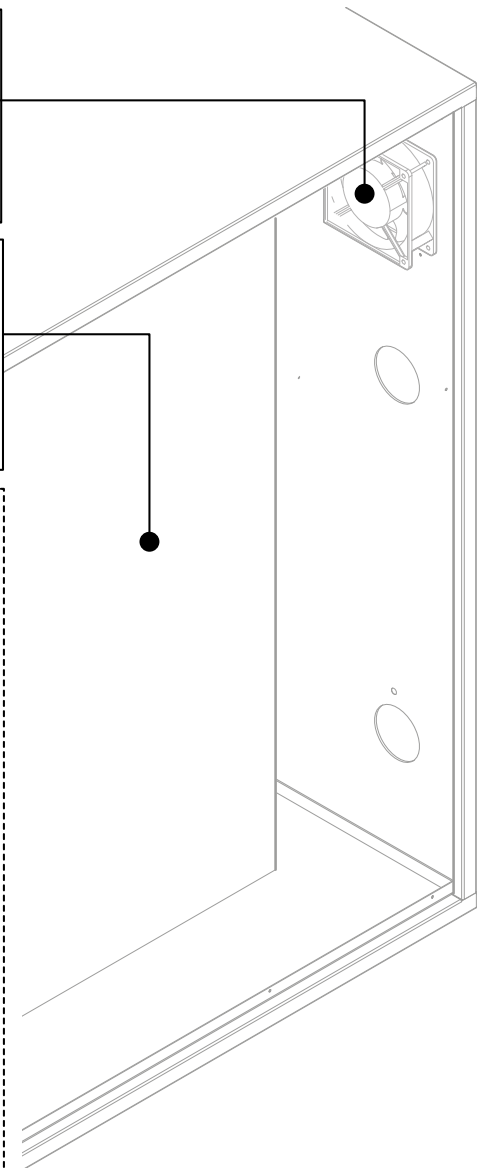
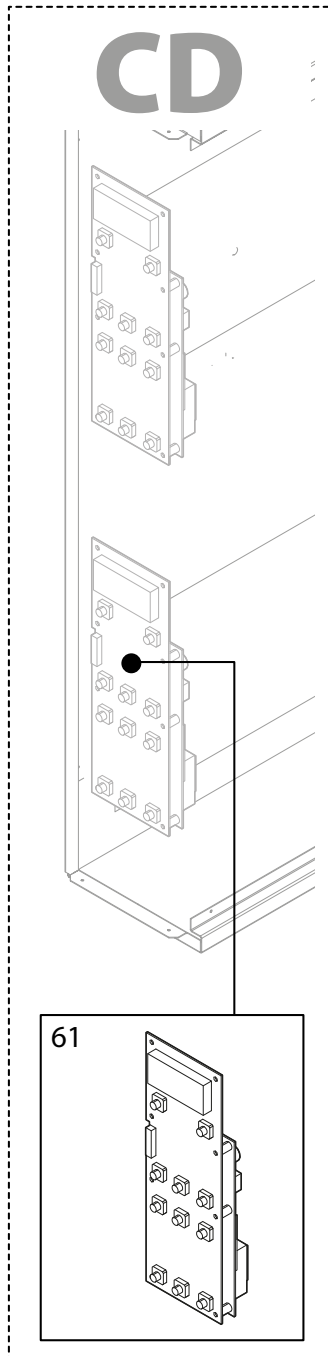
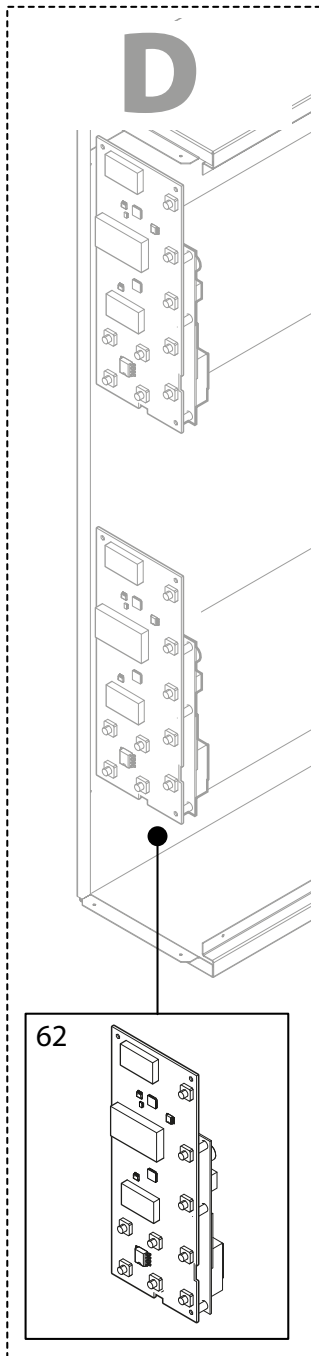
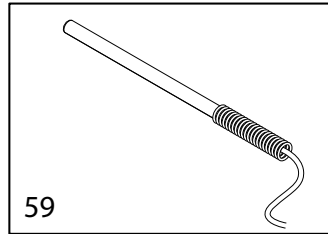
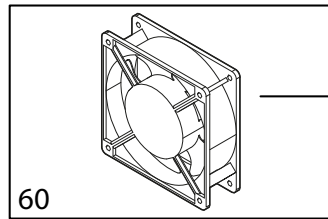
table 2





DONATELLO

table 3



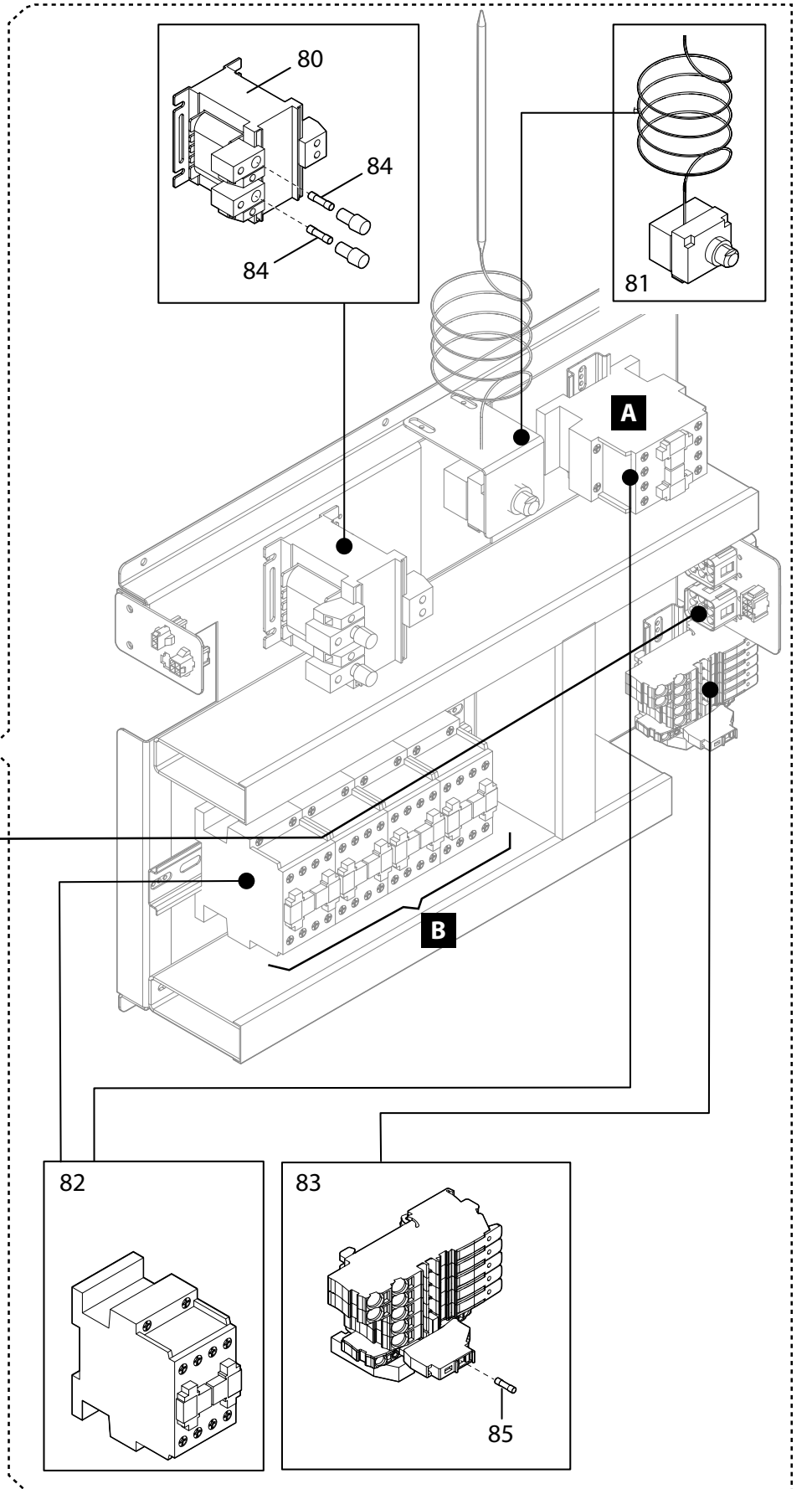
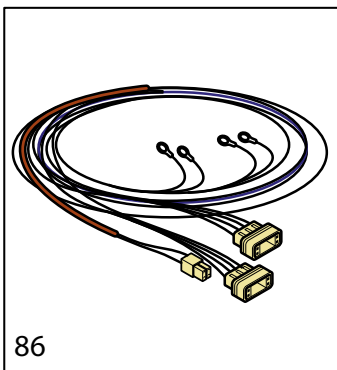


DONATELLO

table 4

CD **model**

79
KIT



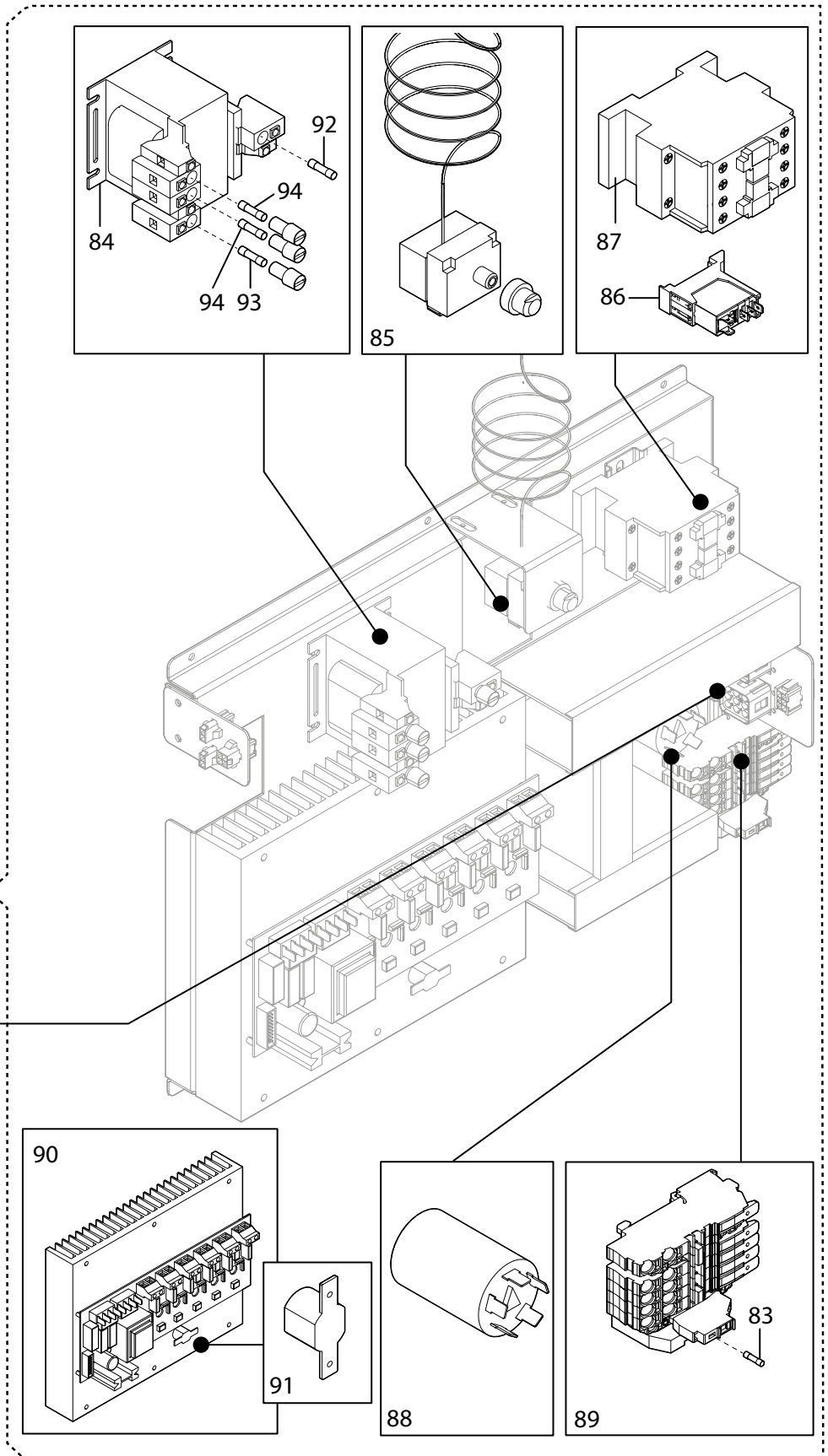
From serial number 19010244 / Ovens produced after 21.12.2018

TABLE 4 - CD models							
POS.	MODEL	VERSION	CODE	DESCRIPTION			
79	DN4-6-6L-9	AC 230V	C01.3154	COMPLETE WIRING			
		AC 3 230V	C01.3155	COMPLETE WIRING			
		AC 3 N 400V	C01.3156	COMPLETE WIRING			
80	DN4-6-6L-9		C01.1875	230-12 50VA TRANSFORMER			
81	DN4-6-6L-9		C01.1881	FAIL SAFE 500°C SAFETY THERMOSTAT			
82	DN4-6 DN6L-9	A AC 3 N 400V	C01.1877	3P 9A 230V CONTACTOR			
		AC 230V AC 3 230V	C01.3303	3P 32A 230V CONTACTOR			
		B AC 3 230V AC 3 N 400V AC 230V	C01.1877	3P 9A 230V CONTACTOR			
83	DN4-6-6L-9		C01.3157	SPARE KIT WAGO TERMINAL BOARD			
84	DN4-6-6L-9		C01.3158	FUSE 2.5A-5x20 T			
85	DN4-6-6L-9		C01.3159	FUSE 6.3A-5x20 T			
86	DN4		C01.1704	ELEMENT CABLES			
	DN6		C01.3160	ELEMENT CABLES			
	DN6L		C01.3161	ELEMENT CABLES			
	DN9		C01.3162	ELEMENT CABLES			



DONATELLO

table 5
D model



DONATELLO

table 1

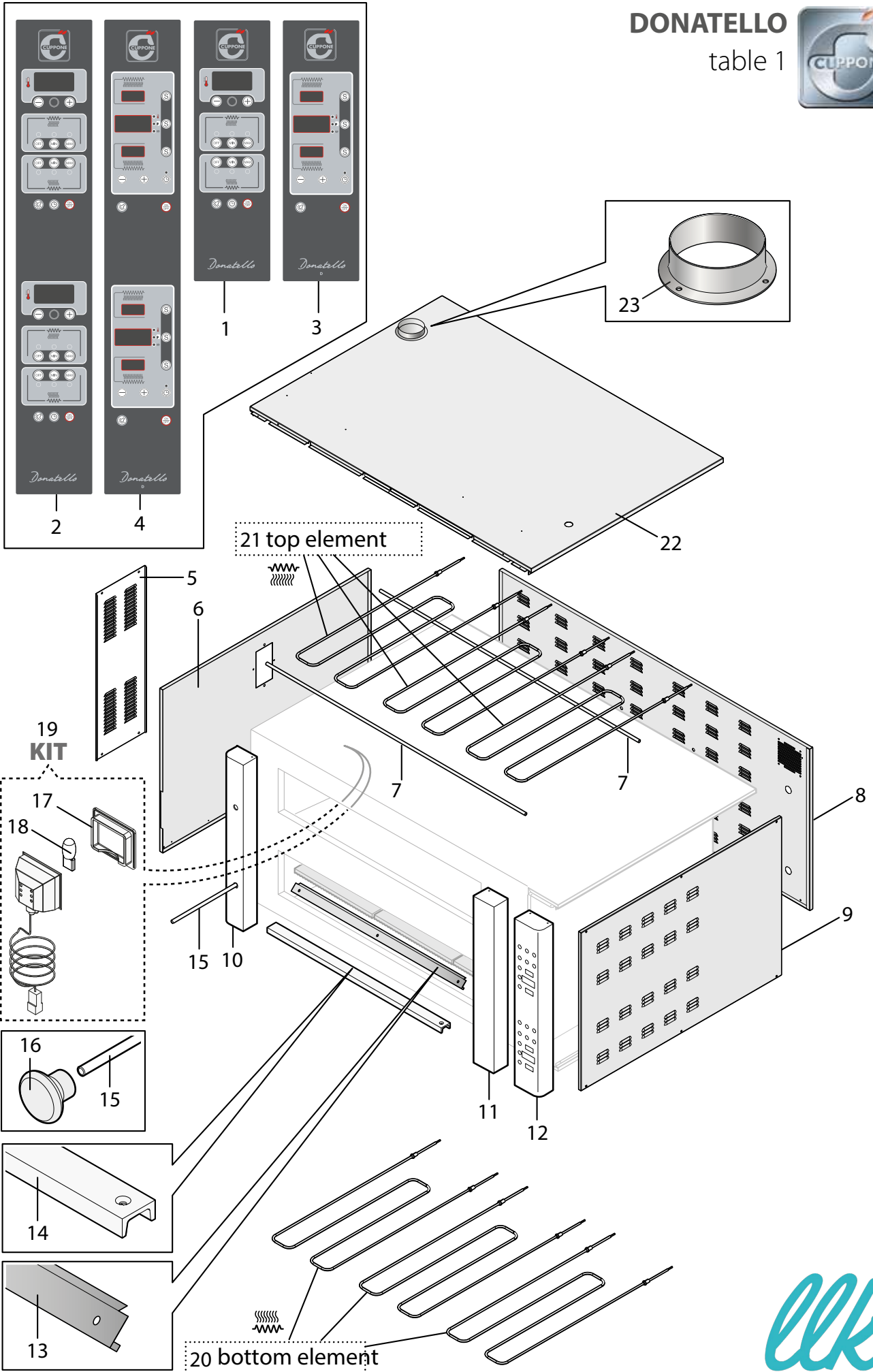
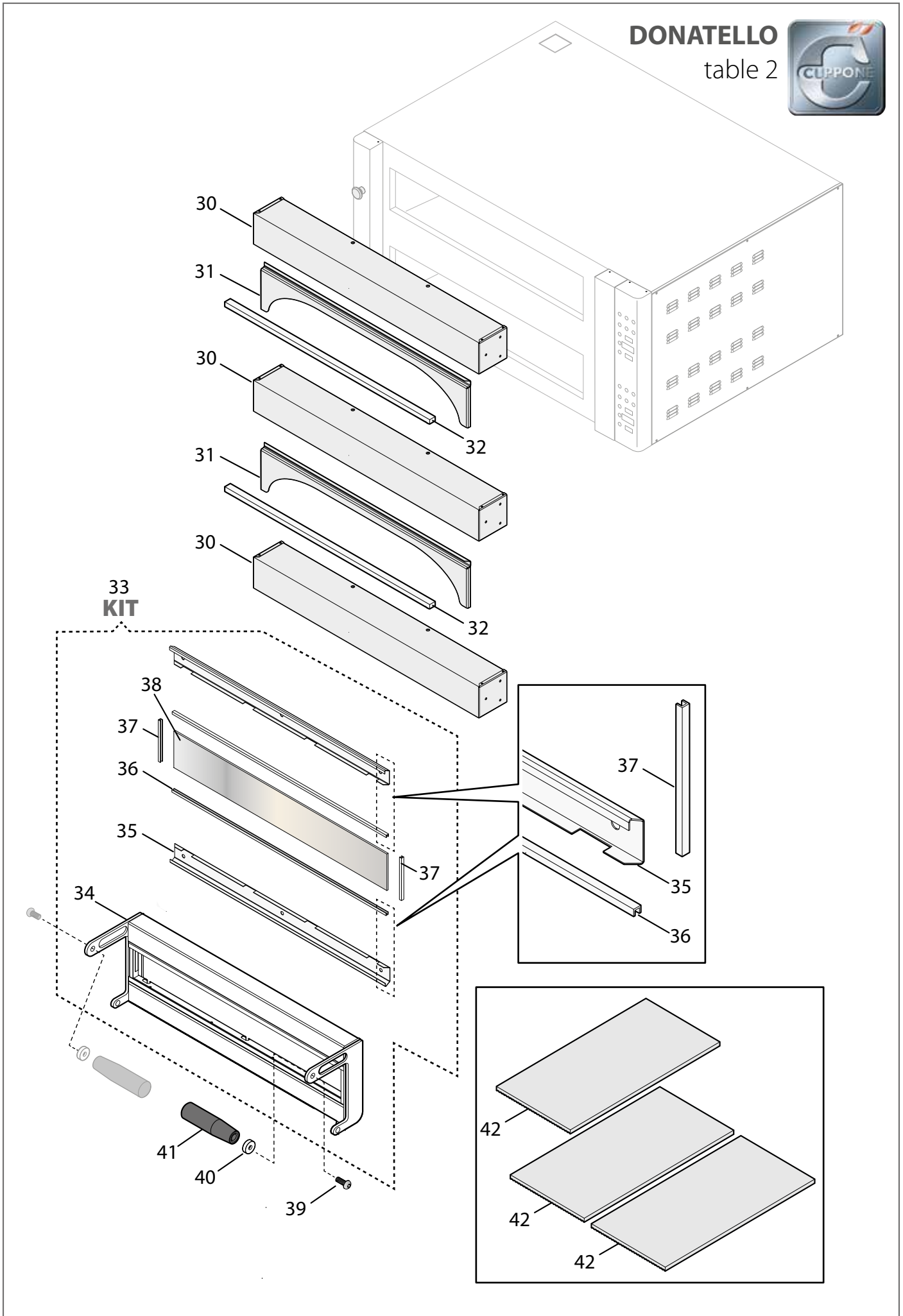


TABLE 1							
POS.	MODEL	VERSION	CODE	DESCRIPTION			
1	CD	single oven	C01.3100	POLYCARBONATE FRONT			
2	CD	double oven	C01.3101	POLYCARBONATE FRONT			
3	D	single oven	C01.3102	POLYCARBONATE FRONT			
4	D	double oven	C01.3103	POLYCARBONATE FRONT			
5	DN4-6-6L-9	single oven	C01.3104	LIGHT BOX COVER			
	DN4-6-6L-9	double oven	C01.3105	LIGHT BOX COVER			
6	DN 4-6L	single oven	C01.3106	LEFT PANEL			
	DN 6-9	single oven	C01.3107	LEFT PANEL			
	DN 4-6L	double oven	C01.3108	LEFT PANEL			
	DN 6-9	double oven	C01.3109	LEFT PANEL			
7	DN 4-6		C01.3110	TOP ELEMENT SUPPORT			
	DN 6L-9		C01.3111	TOP ELEMENT SUPPORT			
8	DN 4-6	single oven	C01.3112	BACK			
	DN 6L-9	single oven	C01.3113	BACK			
	DN 4-6	double oven	C01.3114	BACK			
	DN 6L-9	double oven	C01.3115	BACK			
9	DN 4-6L	single oven	C01.3116	RIGHT PANEL			
	DN 6-9	single oven	C01.3117	RIGHT PANEL			
	DN 4-6L	double oven	C01.3118	RIGHT PANEL			
	DN 6-9	double oven	C01.3119	RIGHT PANEL			
10	DN4-6-6L-9	single oven	C01.3120	LEFT COLUMN			
	DN4-6-6L-9	double oven	C01.3121	LEFT COLUMN			
11	DN4-6-6L-9	single oven	C01.3122	RIGHT COLUMN			
	DN4-6-6L-9	double oven	C01.3123	RIGHT COLUMN			
12	CD	single oven	C01.3124	INSTRUMENT PANEL			
	CD	double oven	C01.3125	INSTRUMENT PANEL			
	D	single oven	C01.3126	INSTRUMENT PANEL			
	D	double oven	C01.3127	INSTRUMENT PANEL			
13	DN 4-6		C01.3128	STONE HOLDER			
	DN 6L-9		C01.3129	STONE HOLDER			
14	DN 6		C01.3130	U-SHAPED IRON PIECE			
	DN 9		C01.3131	U-SHAPED IRON PIECE			
15	DN 4-6L		C01.3132	CHIMNEY PIN			
	DN 6-9		C01.3133	CHIMNEY PIN			
16	DN4-6-6L-9		C01.3134	CHIMNEY KNOB PL/50 M8			
17	DN4-6-6L-9		C01.2331	BULB HOLDER GLASS 65X80			
18	DN4-6-6L-9		C01.2332	BULB G4 12V 20W 300°C			
19	DN4-6-6L-9		C01.2333	LAMP HOLDER COMPLETE WITH LAMP AND BJB GLASS 65x80 12V G4			
20	DN 4		C01.1830	BOTTOM ELEMENT V230 680W			
	DN 6		C01.1831	BOTTOM ELEMENT V230 1000W			
	DN 6L		C01.1832	BOTTOM ELEMENT V230 1020W			
	DN 9		C01.1833	BOTTOM ELEMENT V230 1500W			
21	DN 4		C01.3289	TOP ELEMENT V230 1250W			
	DN 6		C01.1835	TOP ELEMENT V230 1800W			
	DN 6L		C01.1836	TOP ELEMENT V230 1840W			
	DN 9		C01.1837	TOP ELEMENT V230 2690W			
22	DN 4		C01.3290	COVER			
	DN 6		C01.3291	COVER			
	DN 6L		C01.3292	COVER			
	DN 9		C01.3293	COVER			
23	DN4-6-6L-9		C01.3172	STAINLESS STEEL RING NUT ø80 mm			

DONATELLO

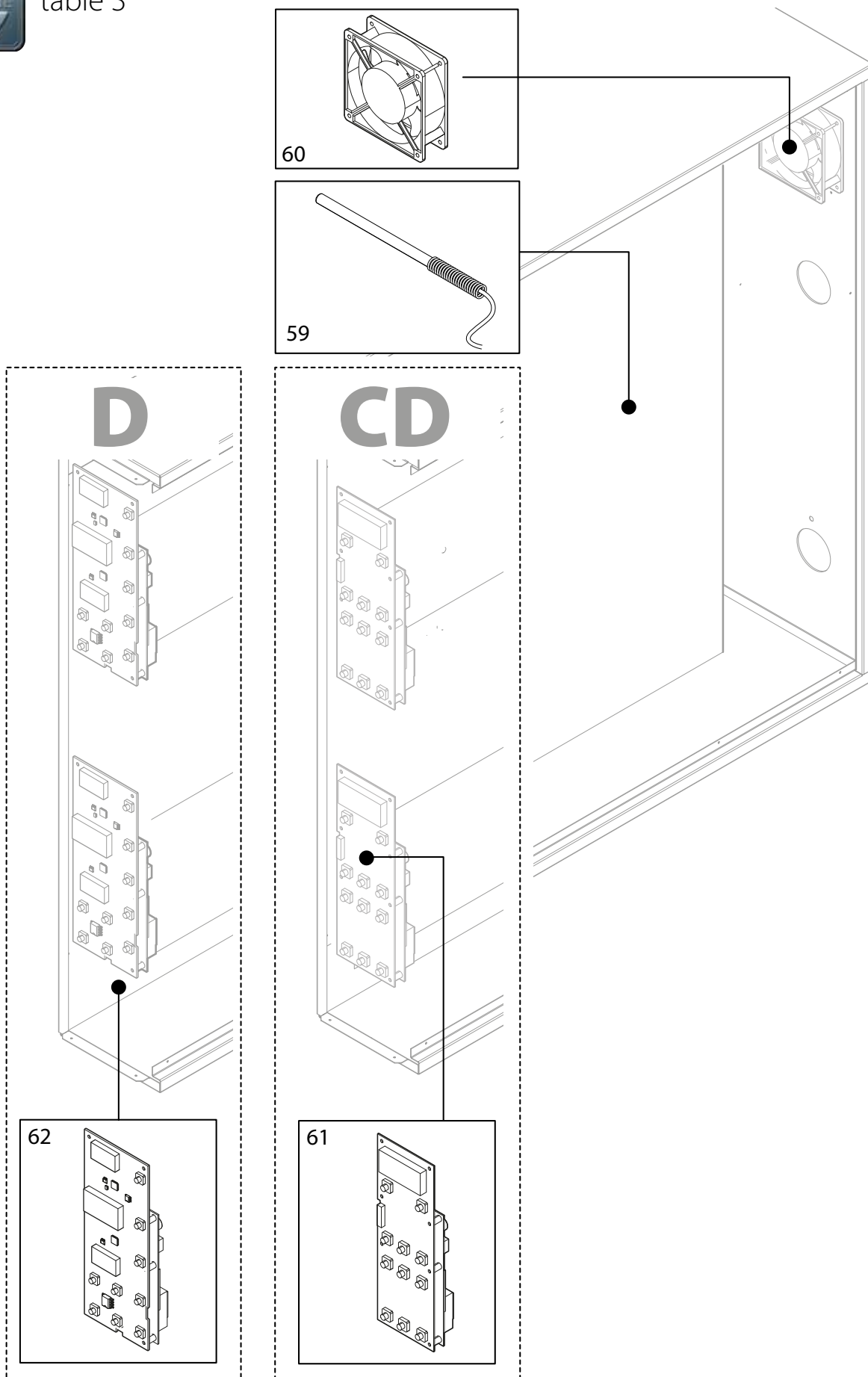
table 2





DONATELLO

table 3

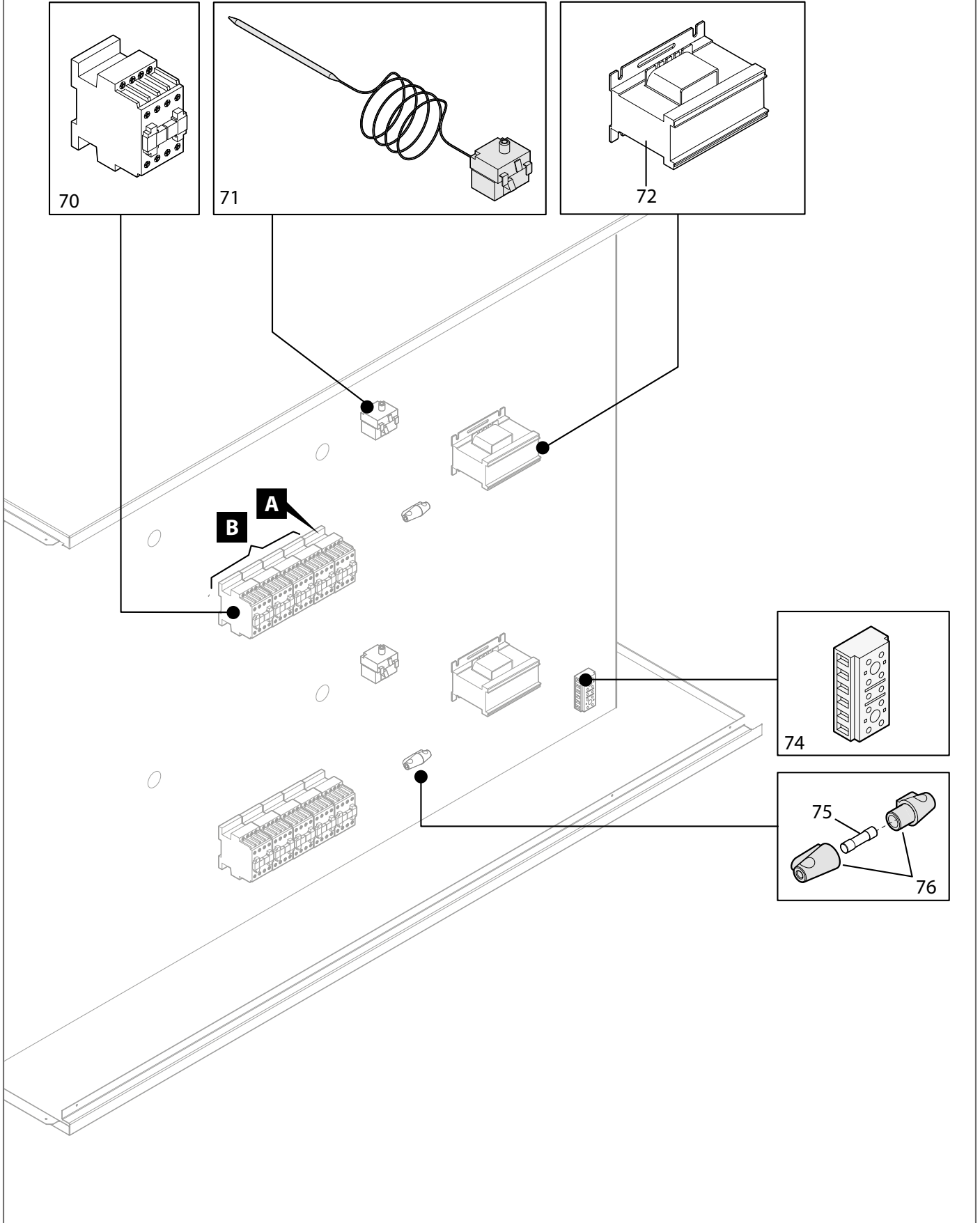




DONATELLO

table 4

CD **model**

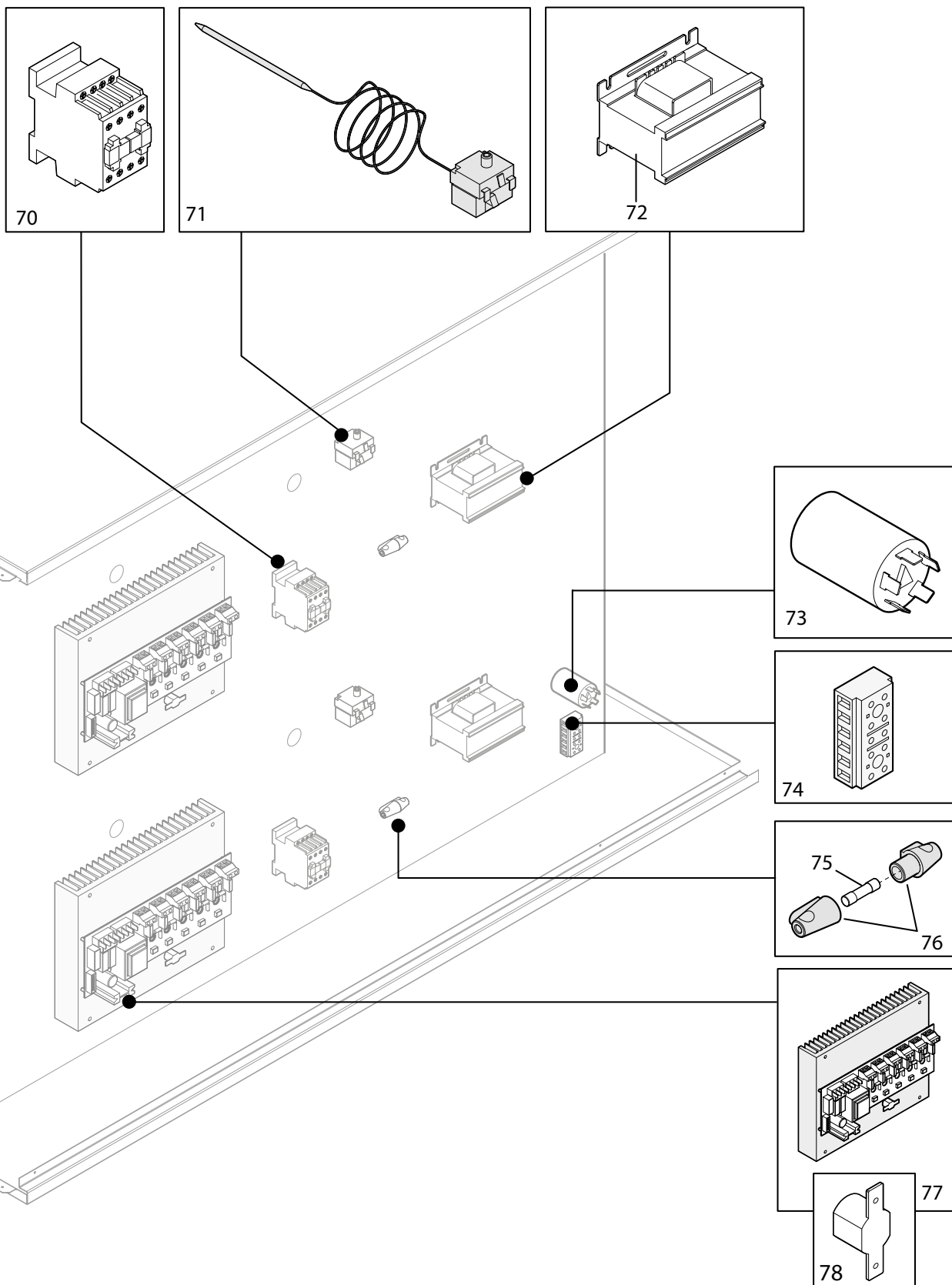




DONATELLO

table 5

D model



DONATELLO

table 1

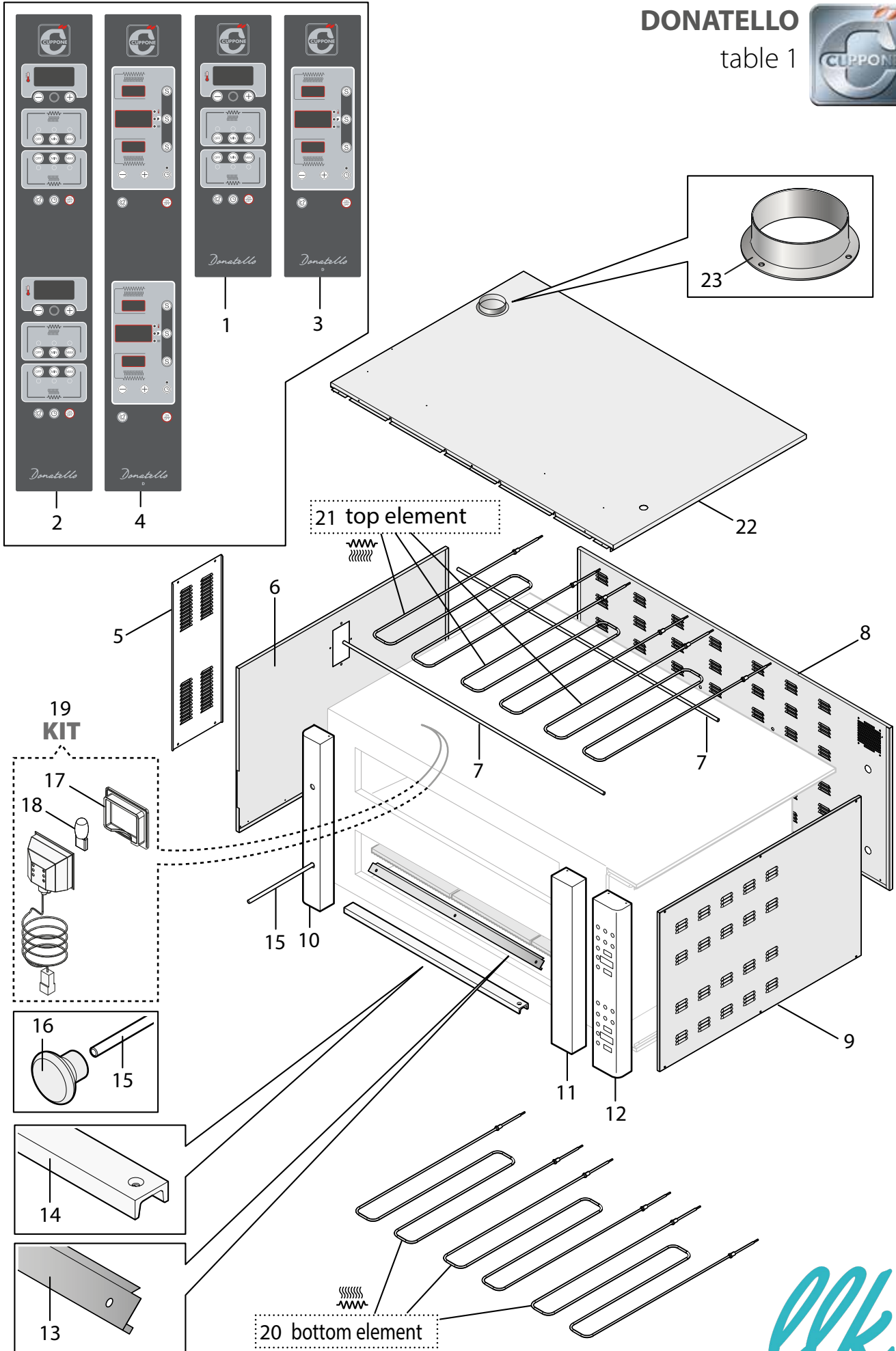
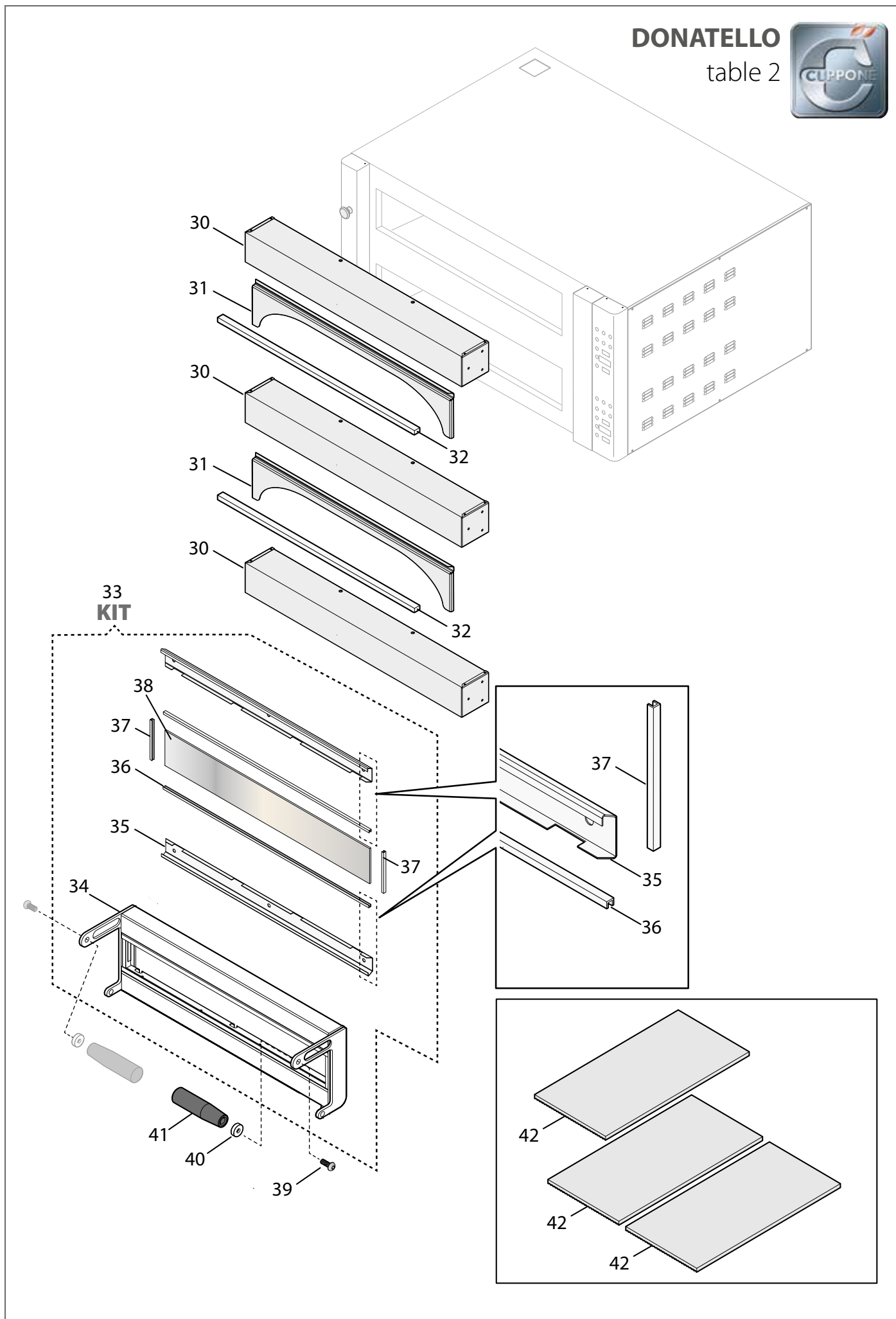


TABLE 1							
POS.	MOD.	VERSION	CODE	DESCRIPTION			
1	CD	single oven	C01.3100	POLYCARBONATE FRONT			
2	CD	double oven	C01.3101	POLYCARBONATE FRONT			
3	D	single oven	C01.3102	POLYCARBONATE FRONT			
4	D	double oven	C01.3103	POLYCARBONATE FRONT			
5	DN4-6-6L-9	single oven	C01.3104	LIGHT BOX COVER			
	DN4-6-6L-9	double oven	C01.3105	LIGHT BOX COVER			
6	DN 4-6L	single oven	C01.3106	LEFT PANEL			
	DN 6-9	single oven	C01.3107	LEFT PANEL			
	DN 4-6L	double oven	C01.3108	LEFT PANEL			
	DN 6-9	double oven	C01.3109	LEFT PANEL			
7	DN 4-6		C01.3110	TOP ELEMENT SUPPORT			
	DN 6L-9		C01.3111	TOP ELEMENT SUPPORT			
8	DN 4-6	single oven	C01.3112	BACK			
	DN 6L-9	single oven	C01.3113	BACK			
	DN 4-6	double oven	C01.3114	BACK			
	DN 6L-9	double oven	C01.3115	BACK			
9	DN 4-6L	single oven	C01.3116	RIGHT PANEL			
	DN 6-9	single oven	C01.3117	RIGHT PANEL			
	DN 4-6L	double oven	C01.3118	RIGHT PANEL			
	DN 6-9	double oven	C01.3119	RIGHT PANEL			
10	DN4-6-6L-9	single oven	C01.3120	LEFT COLUMN			
	DN4-6-6L-9	double oven	C01.3121	LEFT COLUMN			
11	DN4-6-6L-9	single oven	C01.3122	RIGHT COLUMN			
	DN4-6-6L-9	double oven	C01.3123	RIGHT COLUMN			
12	CD	single oven	C01.3124	INSTRUMENT PANEL			
	CD	double oven	C01.3125	INSTRUMENT PANEL			
	D	single oven	C01.3126	INSTRUMENT PANEL			
	D	double oven	C01.3127	INSTRUMENT PANEL			
13	DN 4-6		C01.3128	STONE HOLDER			
	DN 6L-9		C01.3129	STONE HOLDER			
14	DN 6		C01.3130	U-SHAPED IRON PIECE			
	DN 9		C01.3131	U-SHAPED IRON PIECE			
15	DN 4-6L		C01.3132	CHIMNEY PIN			
	DN 6-9		C01.3133	CHIMNEY PIN			
16	DN4-6-6L-9		C01.3134	CHIMNEY KNOB PL/50 M8			
17	DN4-6-6L-9		C01.2331	BULB HOLDER GLASS 65X80			
18	DN4-6-6L-9		C01.2332	BULB G4 12V 20W 300°C			
19	DN4-6-6L-9		C01.2333	LAMP HOLDER COMPLETE WITH LAMP AND BJB GLASS 65x80 12V G4			
20	DN 4		C01.1830	BOTTOM ELEMENT V230 680W			
	DN 6		C01.1831	BOTTOM ELEMENT V230 1000W			
	DN 6L		C01.1832	BOTTOM ELEMENT V230 1020W			
	DN 9		C01.1833	BOTTOM ELEMENT V230 1500W			
21	DN 4		C01.3289	TOP ELEMENT V230 1250W			
	DN 6		C01.1835	TOP ELEMENT V230 1800W			
	DN 6L		C01.1836	TOP ELEMENT V230 1840W			
	DN 9		C01.1837	TOP ELEMENT V230 2690W			
22	DN 4		C01.3290	COVER			
	DN 6		C01.3291	COVER			
	DN 6L		C01.3292	COVER			
	DN 9		C01.3293	COVER			
23	DN4-6-6L-9		C01.3172	STAINLESS STEEL RING NUT ø80 mm			

DONATELLO

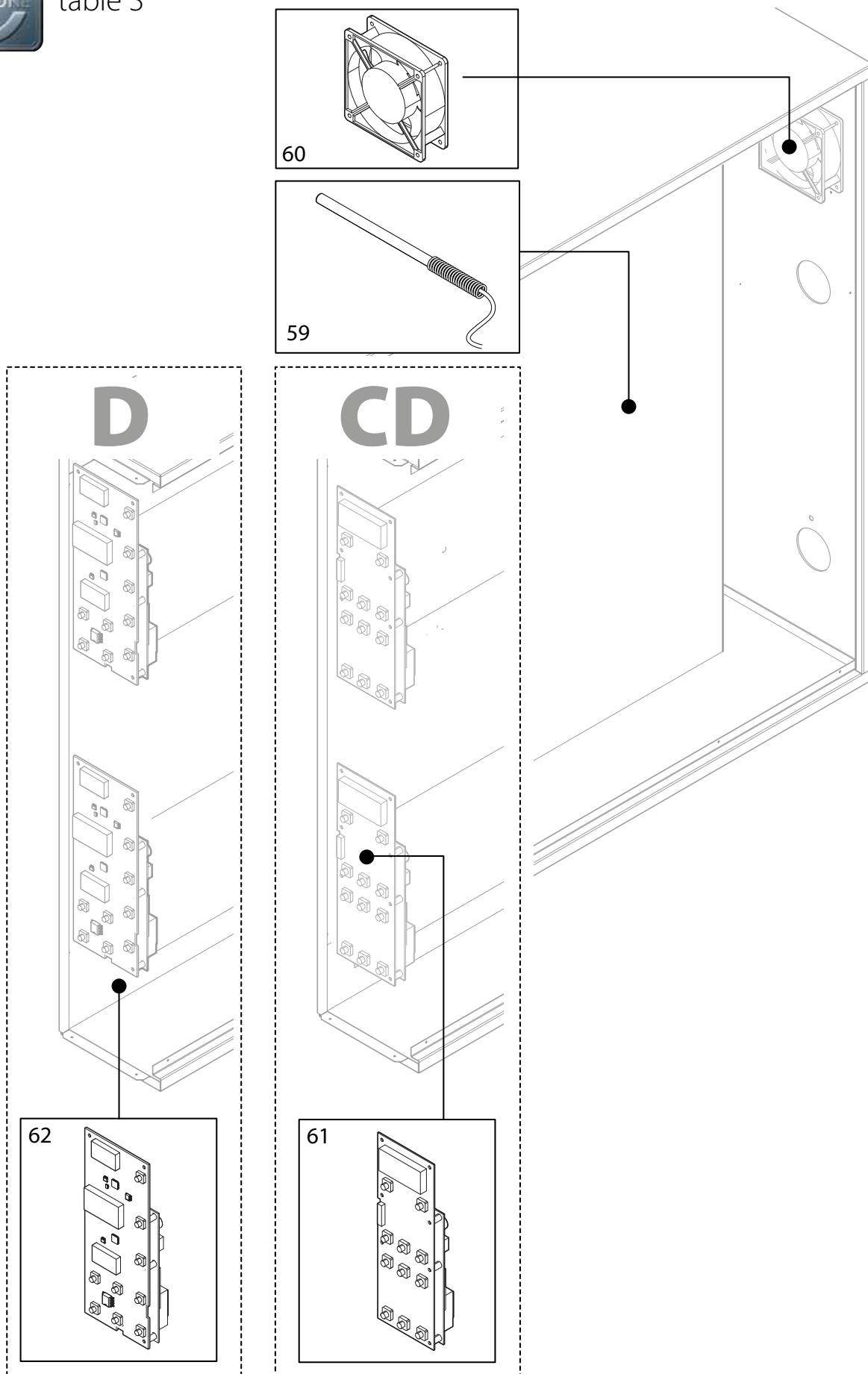
table 2





DONATELLO

table 3



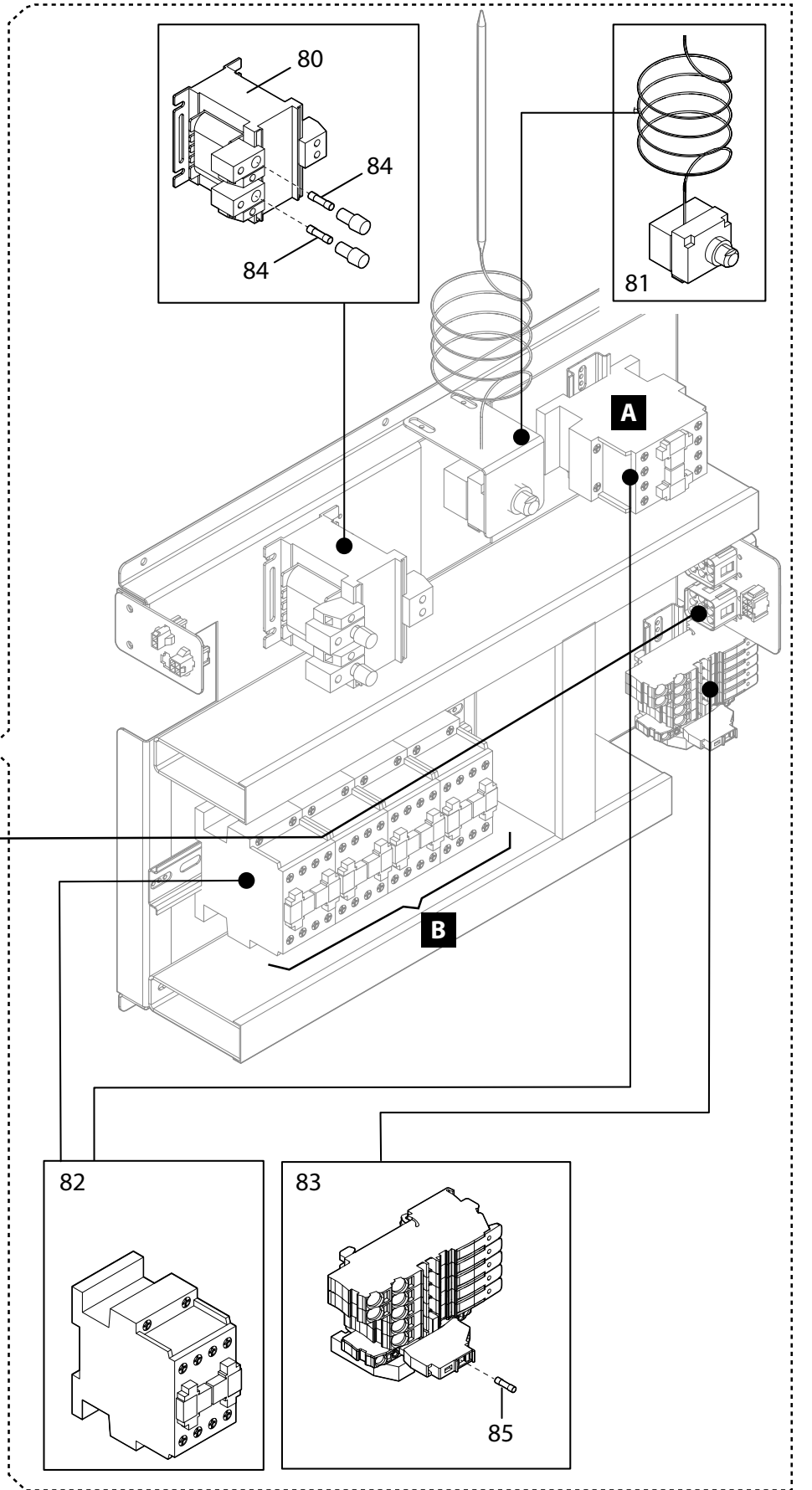
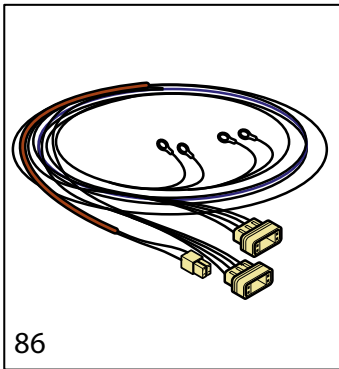


DONATELLO

table 4

CD **model**

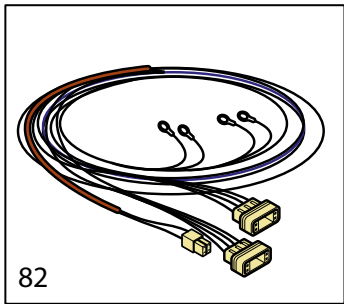
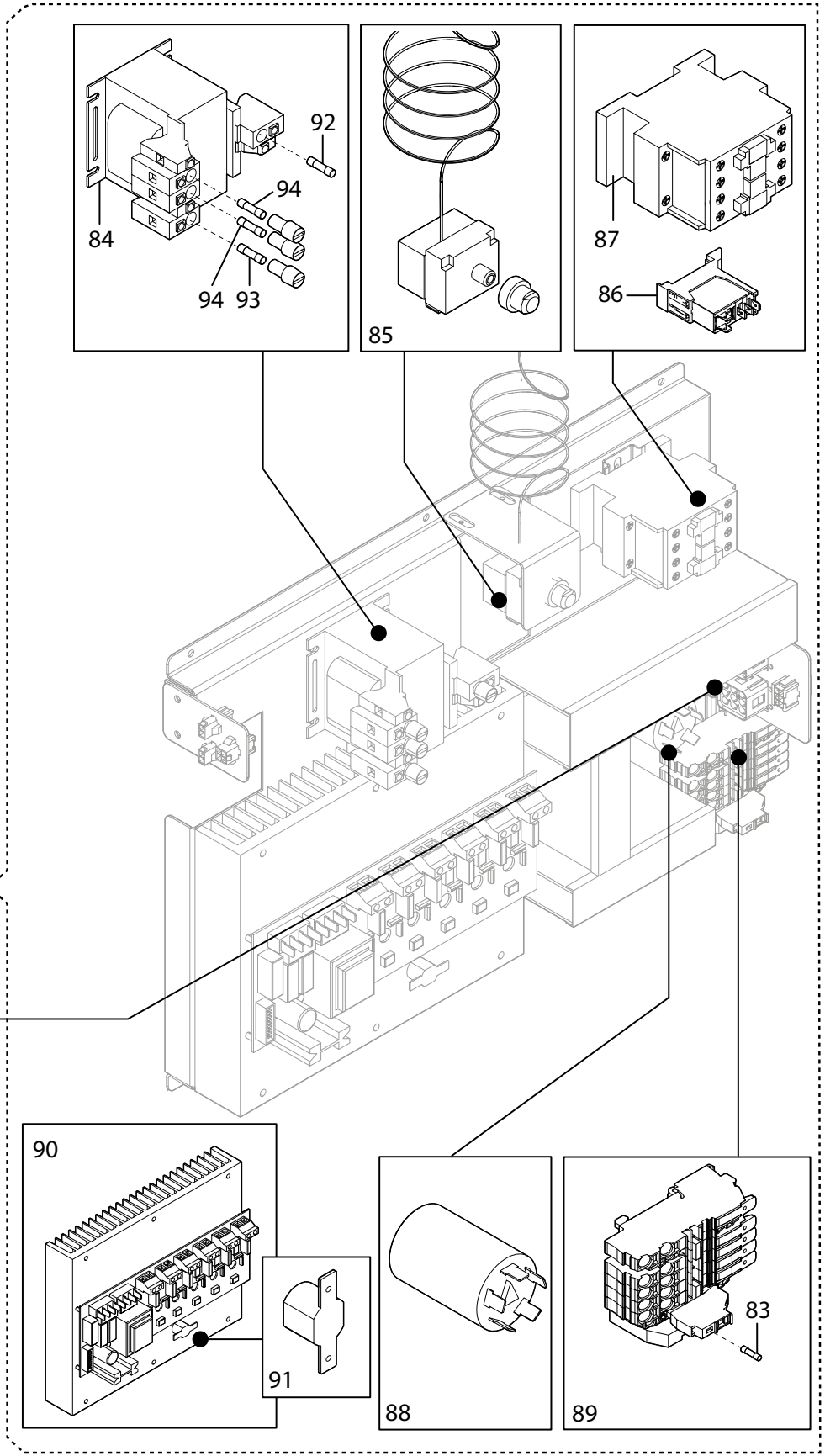
79
KIT



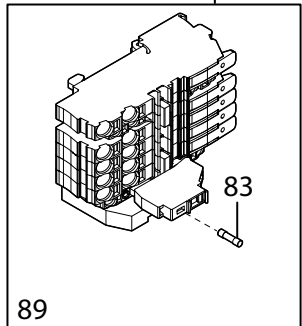
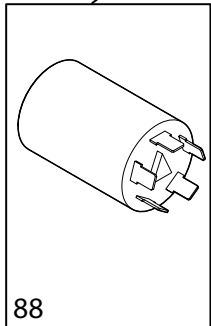
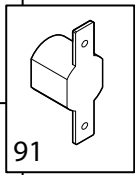
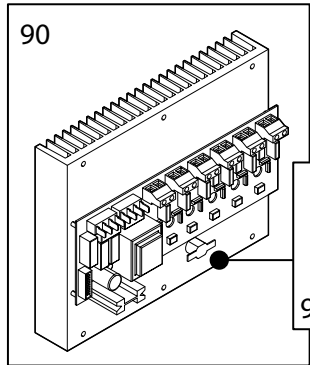


DONATELLO

table 5
D model

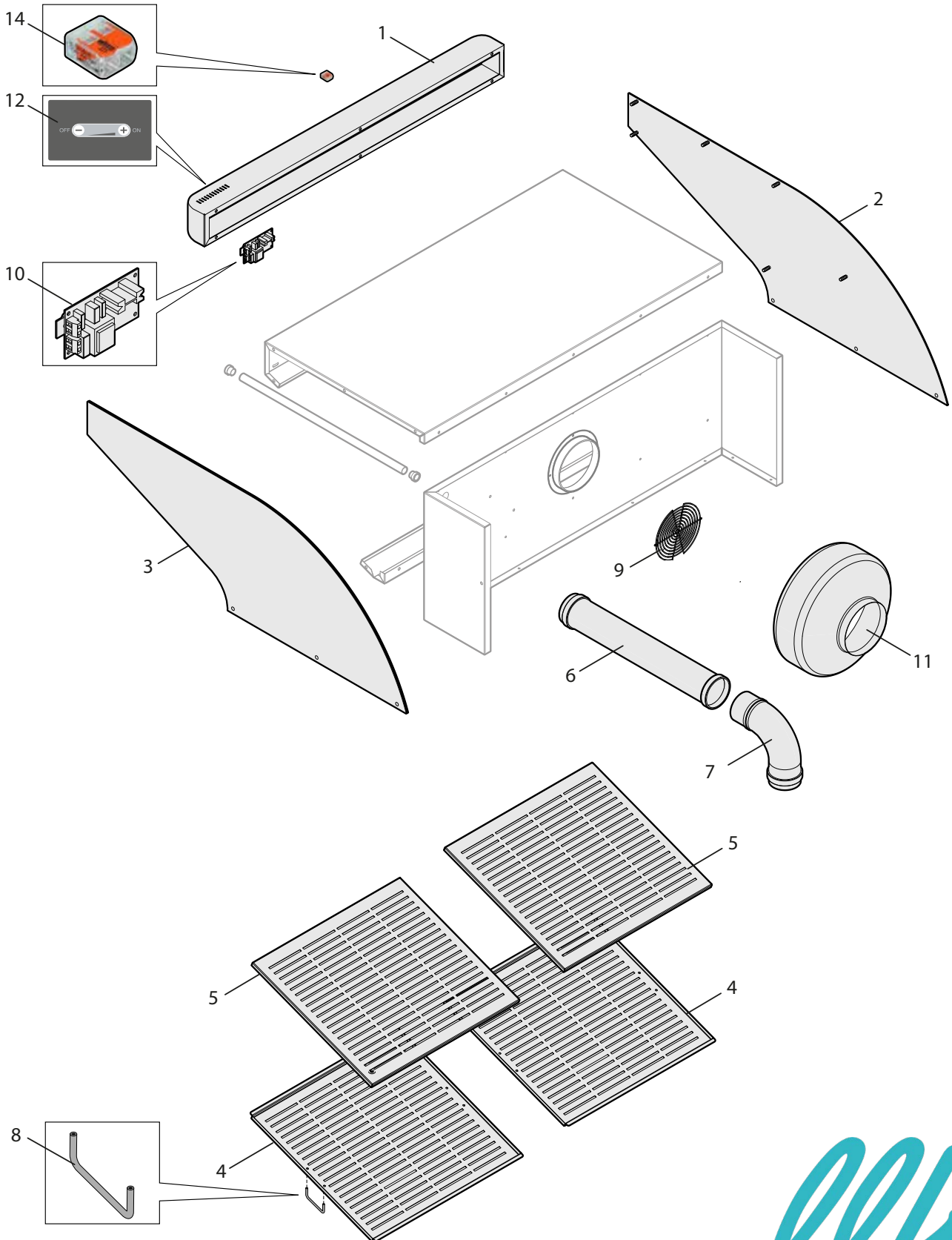


81
KIT



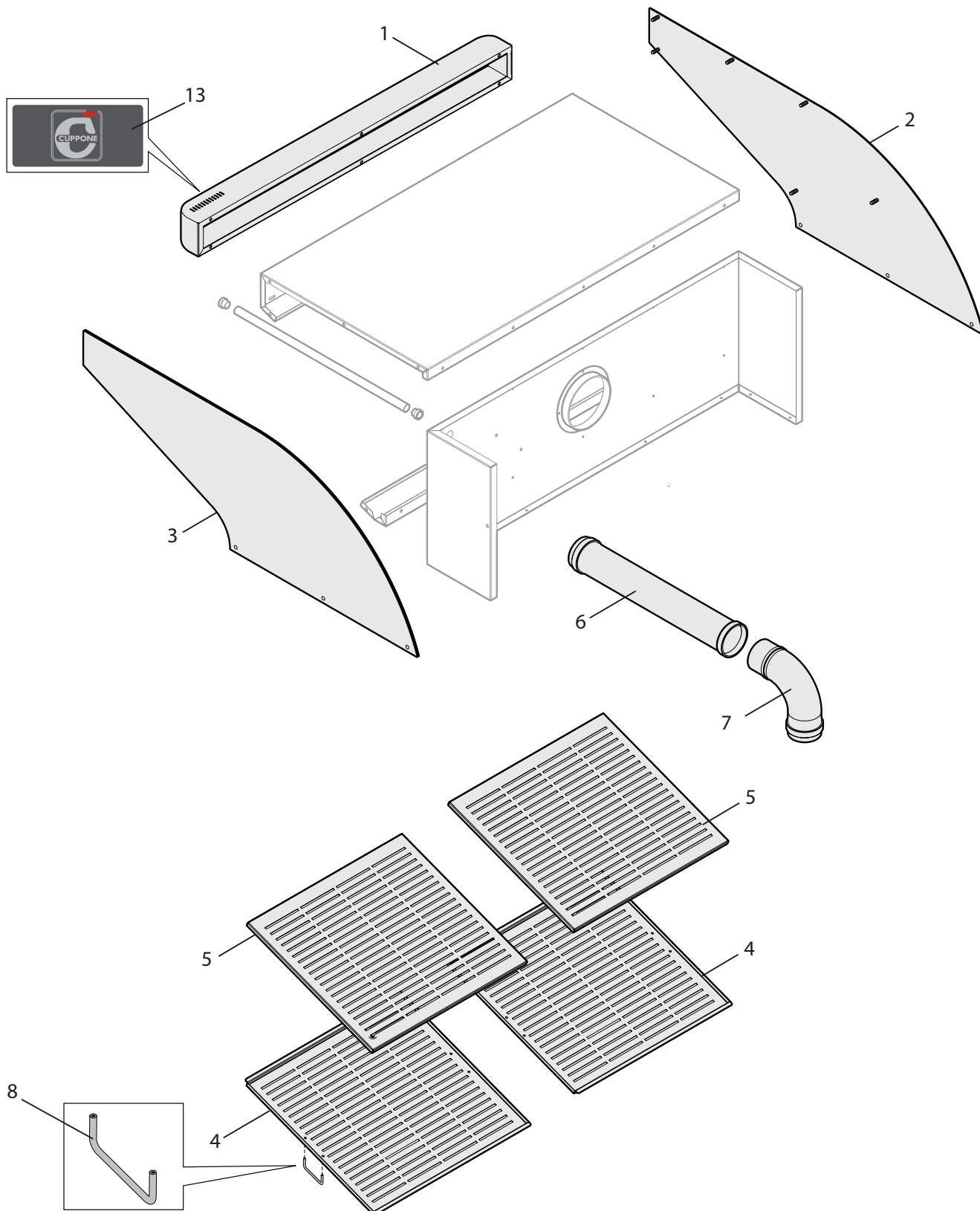


DONATELLO
SUCTION HOOD
table 1





DONATELLO
NEUTRAL HOOD
table 2



Up to serial number 19010226 / Ovens produced before 28.12.18

TABLE 1 / TABLE 2							
POS.	MODEL	VERSION	CODE	DESCRIPTION			
1	DN 4-6		C01.3295	FRONT			
	DN 6L-9		C01.3296	FRONT			
2			C01.2502	LH SHOULDER			
3			C01.3503	RH SHOULDER			
4	DN 4-6		C01.3297	EXTERNAL FILTER			
	DN 6L-9		C01.3298	EXTERNAL FILTER			
5	DN 4-6		C01.3299	INTERNAL FILTER			
	DN 6L-9		C01.3310	INTERNAL FILTER			
6	DN 4-6L		C01.3311	FEM-FEM TUBE 80X470 316L BA			
	DN 6-9		C01.3312	FEM-FEM TUBE 80X825 316L BA			
7			C01.2510	MALE-FEM CURVE 80-90 316L BA			
8			C01.2511	STAINLESS STEEL HANDLE FOR HOOD FILTERS			
9			C01.2512	FAN PROTECTION GRILLE			
10			C01.2513	HOOD CONTROL BOARD			
11			C01.2514	ASPIRATOR VT150			
12			C01.2515	HOOD POLYCARBONATE FRONT AS CP			
13			C01.2516	HOOD POLYCARBONATE FRONT NT CP			
14			C01.2517	TERMINAL 450V 32A 2 INPUTS			