

ITEM	DESCRIPTION	SPARES No.
1	OVEN BURNER	530840010
2	G20 NAT GAS OVEN BURNER INJECTOR	530840020
	G31 PROPANE GAS OVEN BURNER INJECTOR	530840030
3	FFD CONTROL VALVE	530840045
4	CONTROL PANEL	535880000
5	CONTROL KNOB	535880001
6	PIEZO SPARK IGNIGHTER	530843480
	IGNITION LEAD (NOT SHOWN)	530840110
7	G20 NAT GAS GOVERNOR	539208410
	G20 NAT GAS PILOT ASSY	530840060
8	G31 PROPANE GAS PILOT ASSY	530840070
9	PILOT THERMOCOUPLE	530840080
10	PILOT IGNITION ELECTRODE	530840090
11	NAT TO LP CONVERSION KIT	535880002
	LP TO NAT CONVERSION KIT	535880003

PRODUCTION ISSUE

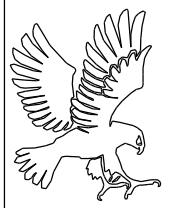
ISSUE	MOD No	ALTERATION	DRAWN BY	DATE
1	243	PRE-PRODUCTION ISSUE	S. BROWN	03/11/11
A	1323	PRODUCTION ISSUE	S. BROWN	08/12/11

IF IN DOUBT ASK
DO NOT SCALE
FIRST ANGLE PROJECTION

UNLESS OTHERWISE SPECIFIED:
DIMENSIONS ARE IN MILLIMETERS
TOLERANCES:
LINEAR: ±0.5mm
ANGULAR: ±0.5 DEG

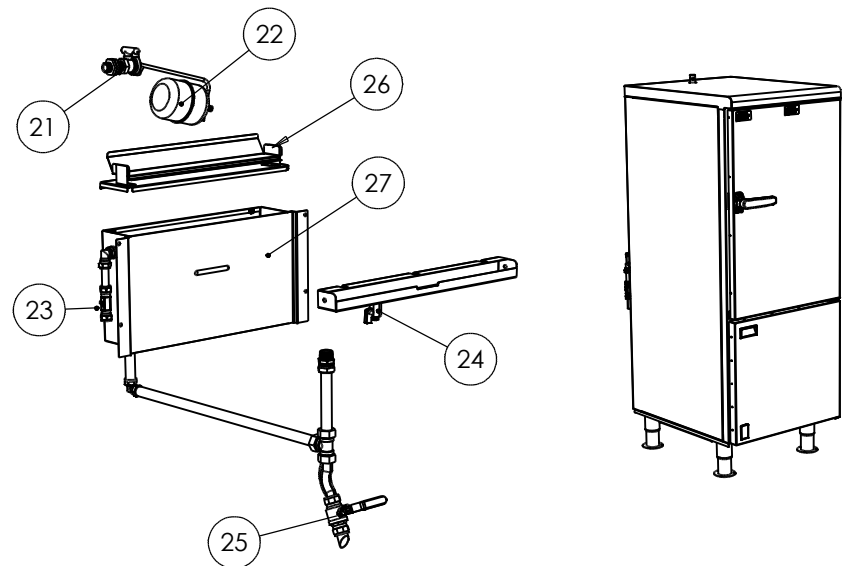
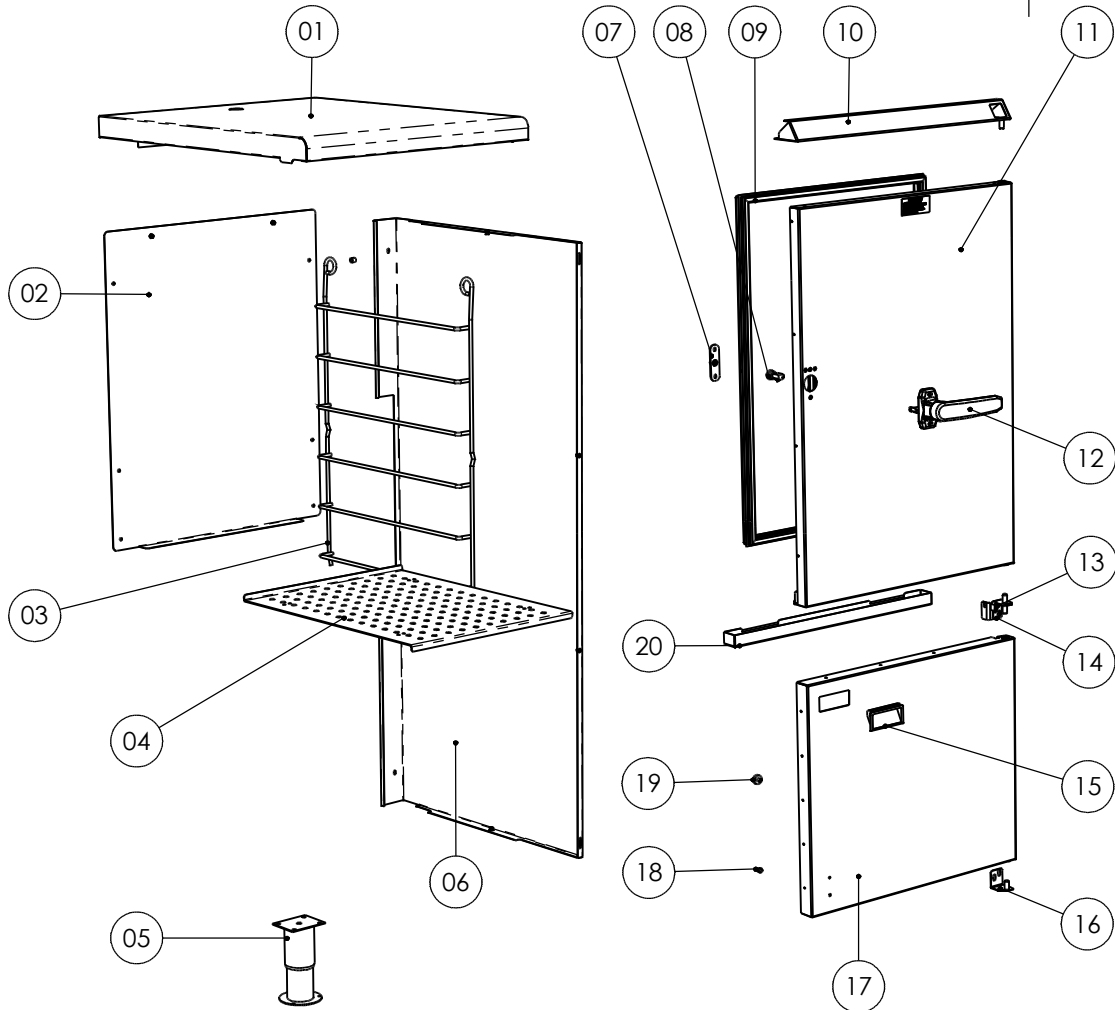
DEBUR AND
BREAK SHARP EDGES

WEIGHT: 104207.83g



DRAWN: S. BROWN	PRODUCT	
DATE: 03/11/11	G3478 STEAMING OVEN	
SCALE: 1:3	TITLE	
	GAS ONLY SPARES	
MATL:	DRAWING NUMBER	ISSUE
THICKNESS:	AB49032	A
FINISH:	PART No:	
BIN No:		

© NO REPRODUCTION OR PUBLICATION OF THIS DRAWING MAY BE MADE AND NO ARTICLE MAY BE MANUFACTURED OR ASSEMBLED IN ACCORDANCE WITH THIS DRAWING WITHOUT PRIOR WRITTEN CONSENT. THIS PROHIBITION IS A TERM OF ANY CONTRACT RELATING TO THIS DRAWING. RIGHTS RESERVED UNDER THE COPYRIGHT ACT 1956 AS AMENDED BY THE DESIGN COPYRIGHT ACT 1968



ITEM	DESCRIPTION	SPARES No.
1	OUTER TOP PANEL	730870002
2	OUTER REAR PANEL	730870003
3	WIRE OVEN SHELF RACK - LH OR RH	530843021
4	PERFORATED OVEN SHELF	520840015
5	ADJUSTABLE FLOOR MOUNTING FOOT	730870004
6	OUTER SIDE PANEL - LH OR RH	730870005
7	DOOR PIN LATCH MOUNTING PLATE	730870006
8	DOOR PIN - SINGLE ACTION LOCK	730870007
9	DOOR SEAL PUSH FIT	730870008
10	OVEN TOP SUPPORT & HINGE PIN	730870009
11	OVEN DOOR ASSEMBLY	730870010
12	OVEN DOOR HANDLE	730870011
13	OVEN DOOR - BOTTOM HINGE	730870012
14	BOTTOM DOOR - TOP HINGE	730870013
15	BOTTOM DOOR RECESSED DOOR HANDEL	730870014
16	BOTTOM DOOR - BOTTOM HINGE	730870015
17	BOTTOM DOOR ASSEMBLY	730870016
18	BOTTOM DOOR STOPS X2	730870017
19	BOTTOM DOOR MAGNET	730870018
20	DOOR DRIP TRAY	730870019
21	CISTERN BALL VALVE	530843055
22	CISTERN BALL FLOAT	530843040
23	WATER DOUBLE CHECK VALVE	730870020
24	DRAIN TROUGH VALVE	730843090
25	CHAMBER & CISTERN DRAIN VALVE	530843010
26	CISTERN LID GAS	530843032
27	CISTERN LID ELECTRIC	730843200
	CISTERN	530843460

PRODUCTION ISSUE

ISSUE	MOD No	ALTERATION	DRAWN BY	DATE
A	1322	PRODUCTION ISSUE	S. BROWN	08/12/11
B		CIRTERN & LID DETAILS ADDED	S. BROWN	08/03/12
C	7433	REF TO 730870000 DOUBLE ACTION LOCK DELETED	F.GARVOCK	14/10/15

IF IN DOUBT ASK
DO NOT SCALE
FIRST ANGLE PROJECTION

UNLESS OTHERWISE SPECIFIED:
DIMENSIONS ARE IN MILLIMETERS
TOLERANCES:
LINEAR: ±0.5mm
ANGULAR: ±0.5 DEG

DEBUR AND
BREAK SHARP EDGES

WEIGHT: 7446.36g



DRAWN: S. BROWN	PRODUCT	E+G 3478 STEAMING OVEN	
DATE: 03/11/11	TITLE	SPARES - COMMON	
SCALE: 1:10	DRAWING NUMBER	AB49031	ISSUE
MATL:	FINISH:		C
THICKNESS:	PART No:		
BIN No:			

NO REPRODUCTION OR PUBLICATION OF THIS DRAWING MAY BE MADE AND NO ARTICLE MAY BE MANUFACTURED OR ASSEMBLED IN ACCORDANCE WITH THIS DRAWING WITHOUT PRIOR WRITTEN CONSENT. THIS PROHIBITION IS A TERM OF ANY CONTRACT RELATING TO THIS DRAWING. RIGHTS RESERVED UNDER THE COPYRIGHT ACT 1956 AS AMENDED BY THE DESIGN COPYRIGHT ACT 1968