



## **DOMINATOR***PLUS*

# *G3865 Twin Pan Fryer*

### Key features

- Energy efficient, high performance burners
  - Quick heat up and recovery times
- Pans independently controlled
  - Energy efficient as only use one pan during quieter periods
- Stainless steel hob with mild steel pans
  - Robust construction to withstand busy demands
- Temperature range between 140 - 190°C
  - Variable, precise control
- Sediment collection zone
  - Keeps all cleaner for longer
- Piezo ignition
  - Simple, trouble-free operation
- Fast-acting safety thermostat
  - Power cut to unit if oil overheats
- Supplied with fish grid, basket and lid
  - Everything you need to start frying

### Accessories

- Sidescreens
- Factory fitted, adjustable castors
- Fixed installation kit

### Similar Models

- G3845 Twin pan fryer
- G3865F Twin pan fryer with filtration
- G3860 Single pan, twin basket fryer
- E3865 Twin pan electric fryer



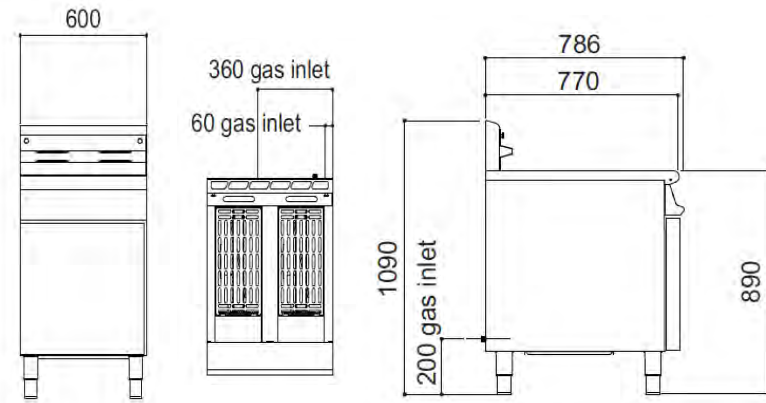
## Twin Pan Fryer

### Installation notes

Adequate ventilation must be provided to supply sufficient fresh air for combustion and to allow easy removal of any such products that may present a risk to health. Please consult current legislation for details that relate to specific locations.

Install unit on a level, fireproof surface in a well-lit, draught free position. If floor is made of a combustible material, local fire requirements must be checked to ensure compliance.

A clearance of 150mm should be observed between appliance and any combustible wall.



Measurements in mm

Unit on castors is the same hob height

### Specification details

Total rating (natural and propane - kW - Nett)	33.4		
Total rating (natural and propane - btu/hr - gross)	125,400		
Inlet size (natural and propane)	1/2" BSP x 2*		
Flow rate - natural (m <sup>3</sup> /hr)	3.5		
Flow rate - propane (kg/hr)	2 x 1.23		
Inlet pressure (natural and propane - mbar)	20 / 37		
Operating pressure (natural and propane - mbar)	13 / 34.5		
Oil capacity (litres)	2 x 15		
Hourly chip output (kg)	2 x 32		
Weight (kg)	99		
Packed weight (kg)	106		
Packed dimensions (w x d x h - mm)	650 x 1000 x 1300		
GTIN numbers			
Nat Gas (feet)	Nat Gas (castors)	LPG (feet)	LPG (castors)

\* termination in 3/4" BSP manifold

